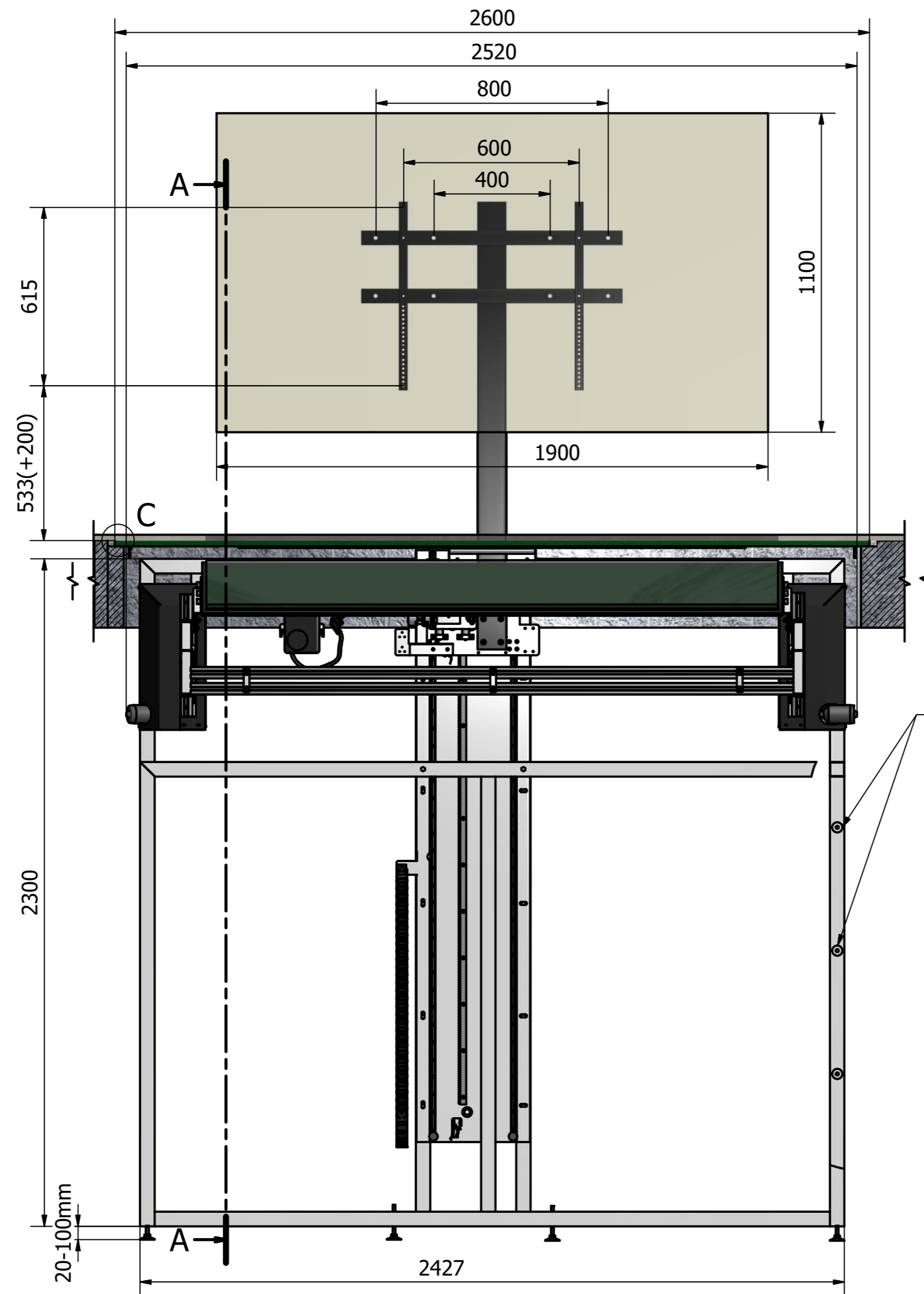
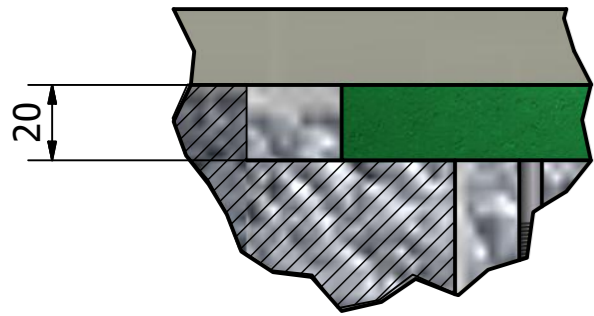


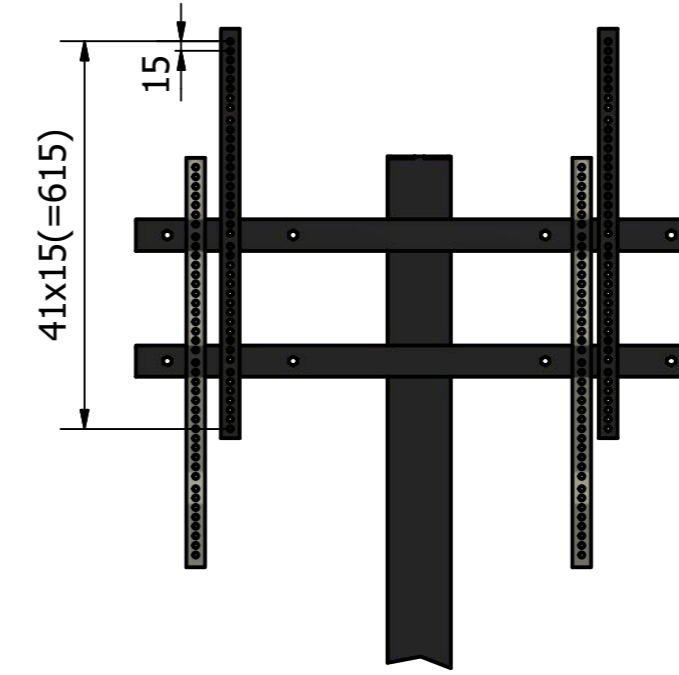
85_VIEW_2

C (1 : 2)

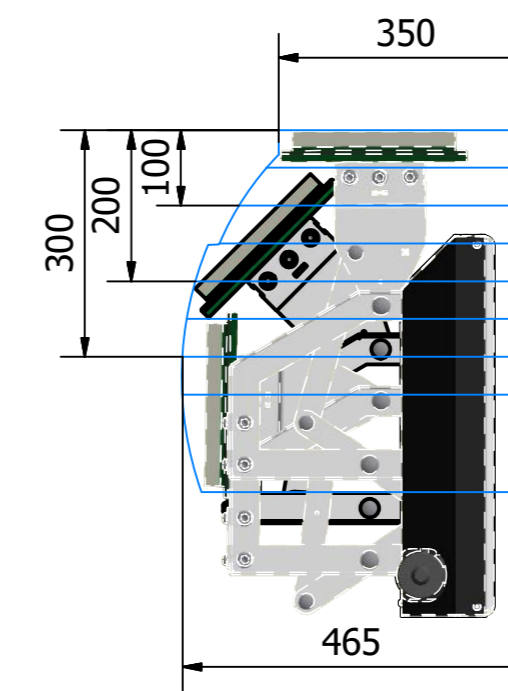
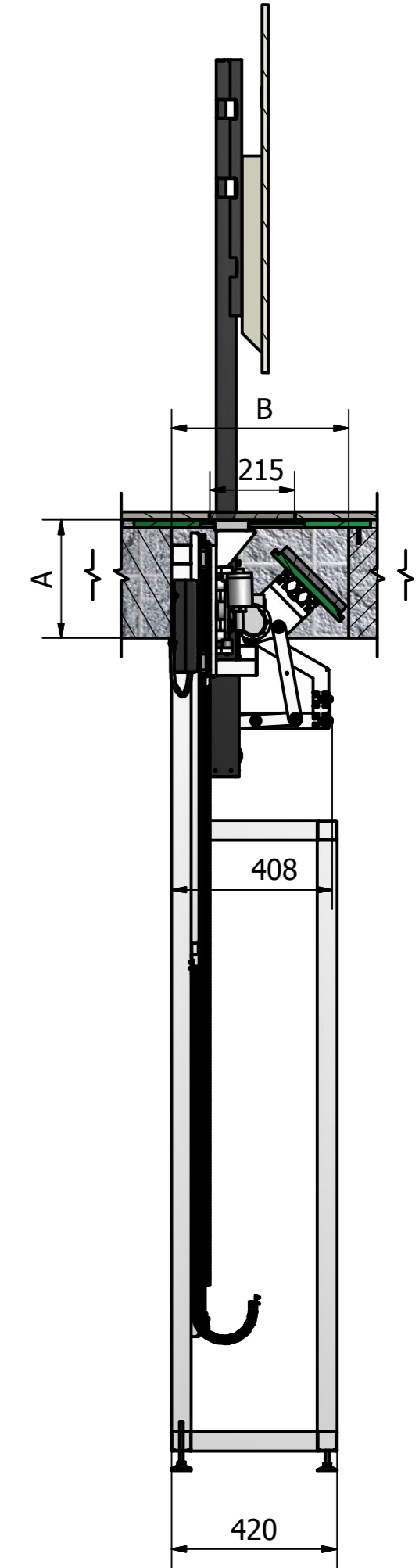


Wall mounting holes

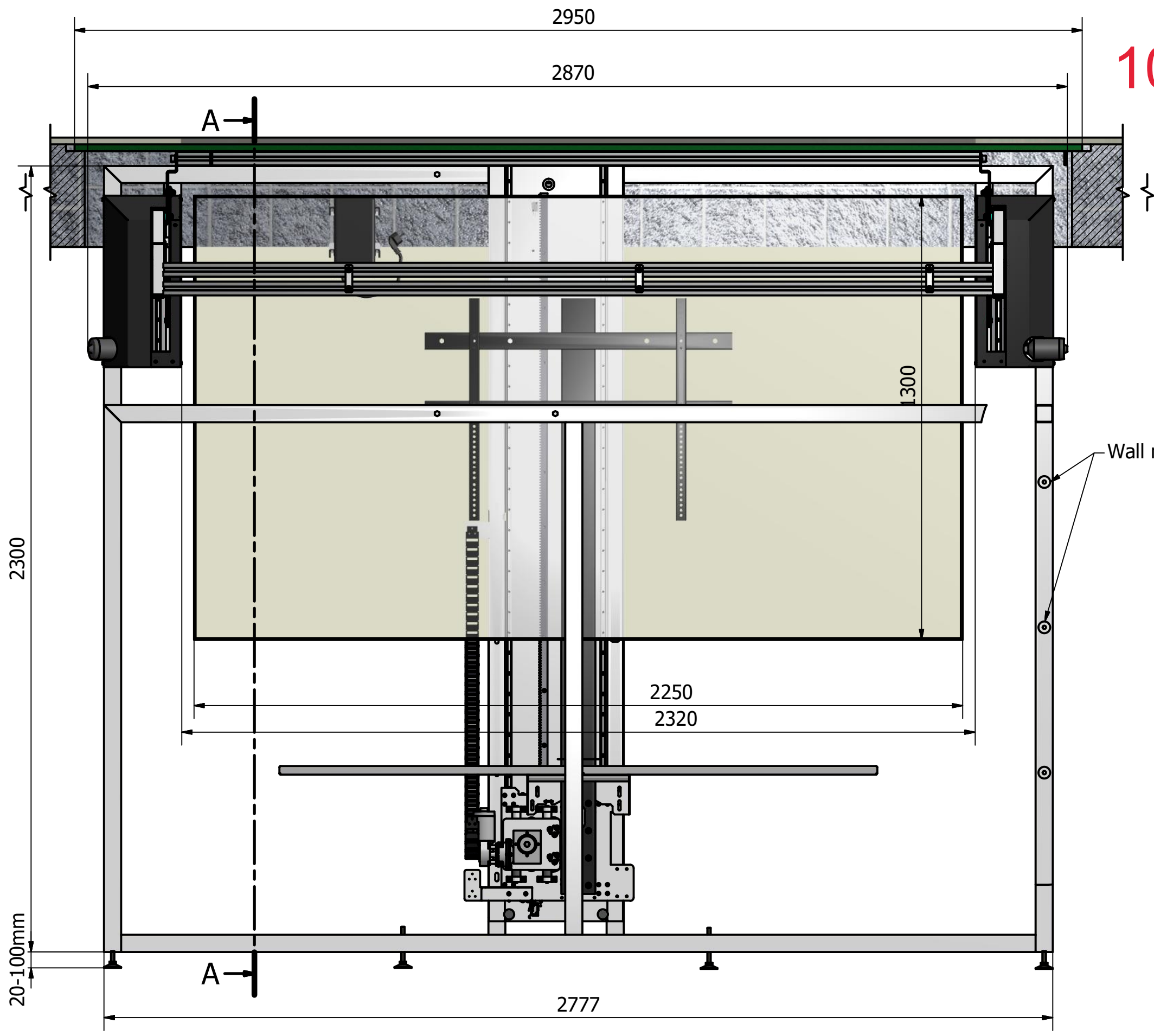
B (1 : 12)



A-A (1 : 15)



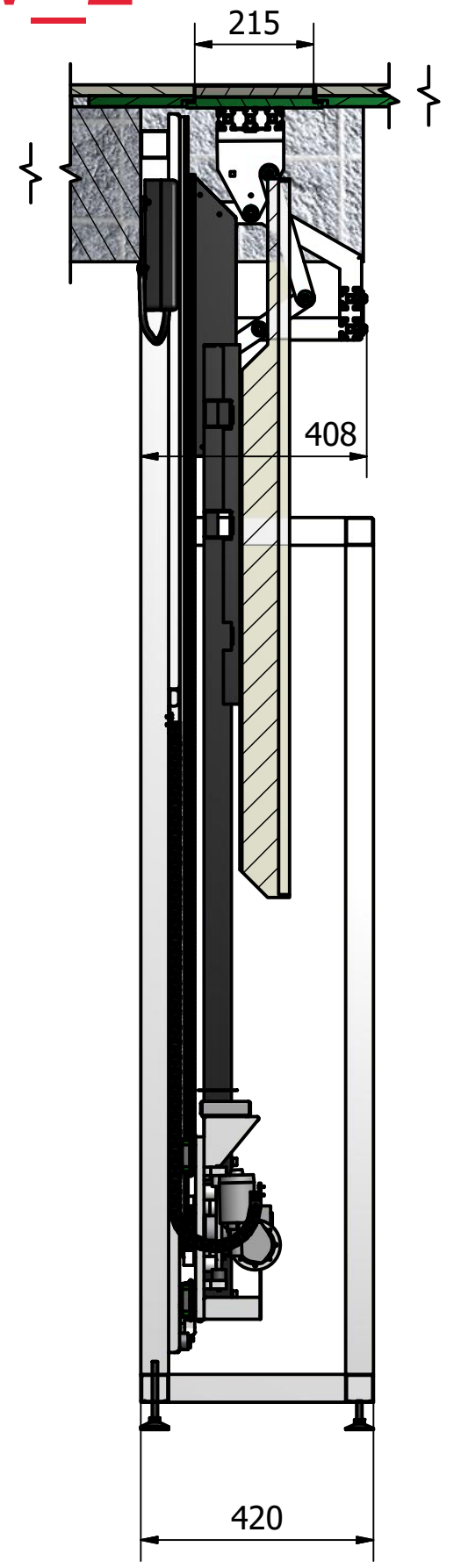
A	B min.
50	350
100	390
150	420
200	450
250	460
>300	465



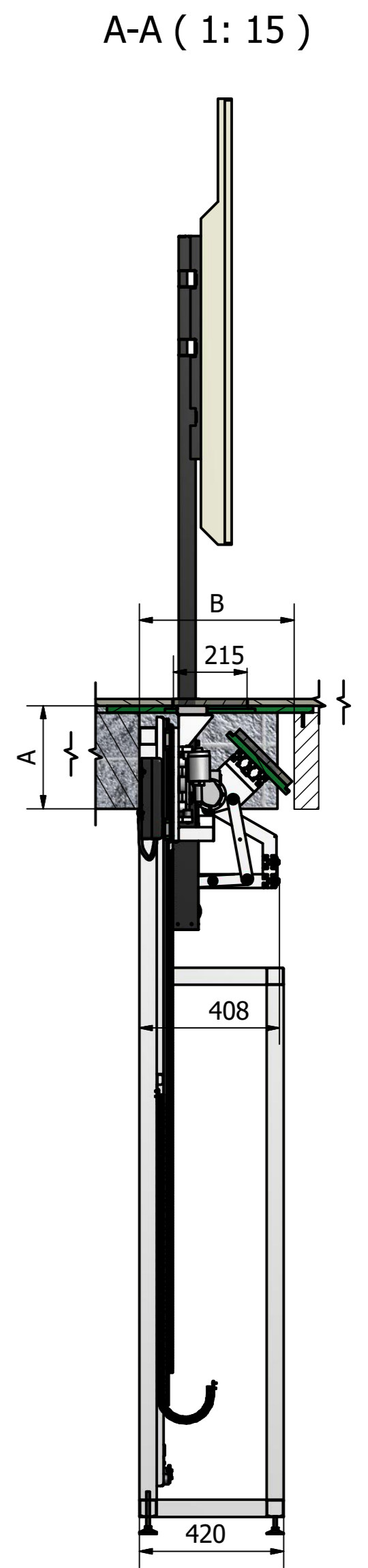
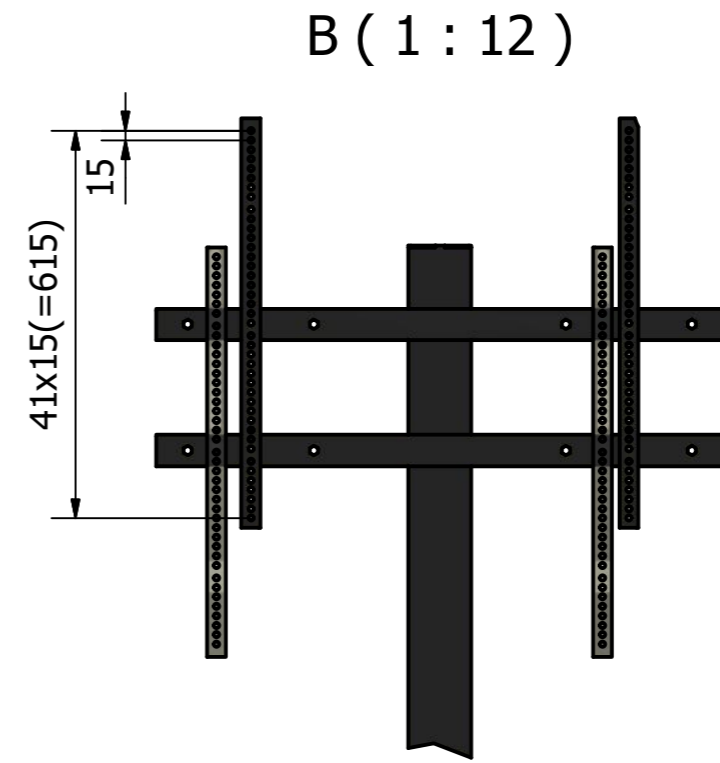
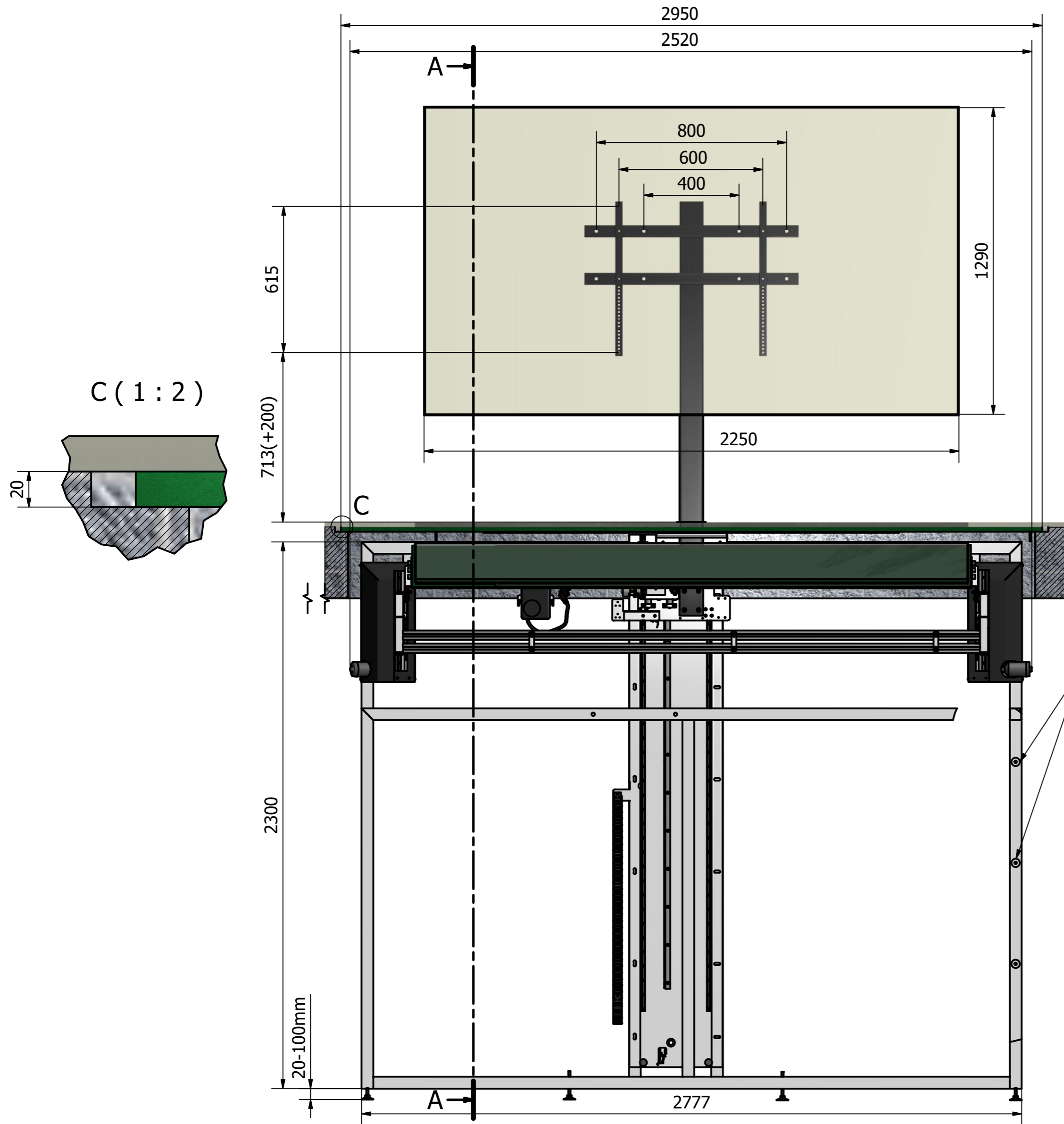
100_VIEW_2

Wall mounting holes

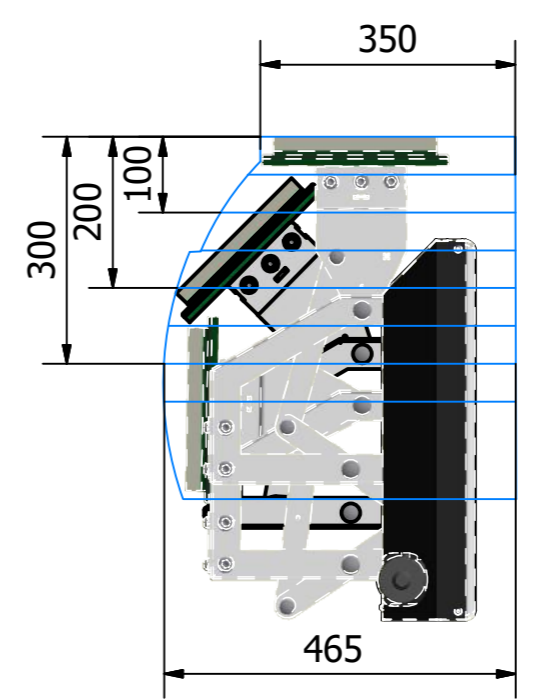
A-A (1: 12)



100_VIEW_2

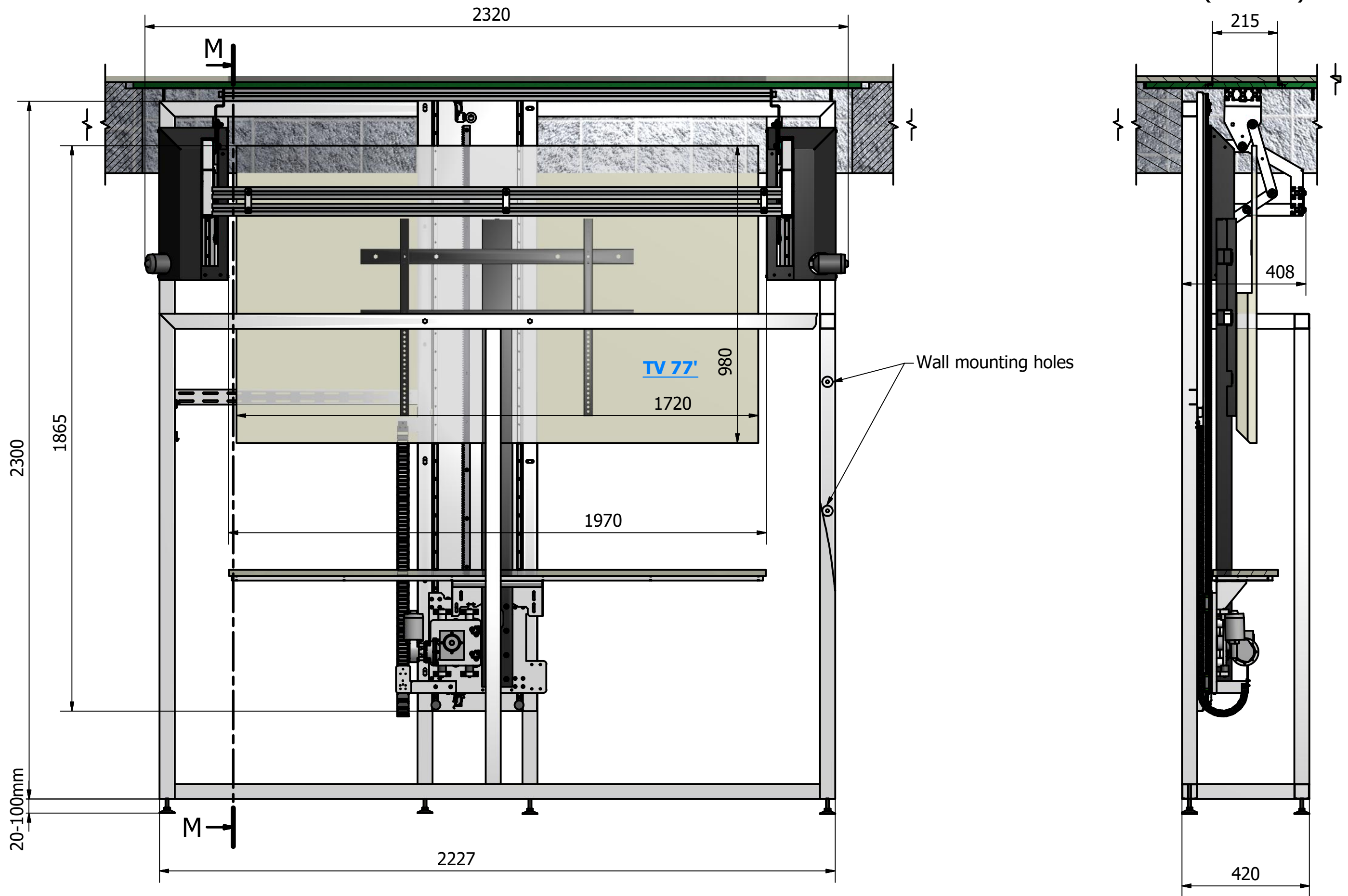


Wall mounting holes



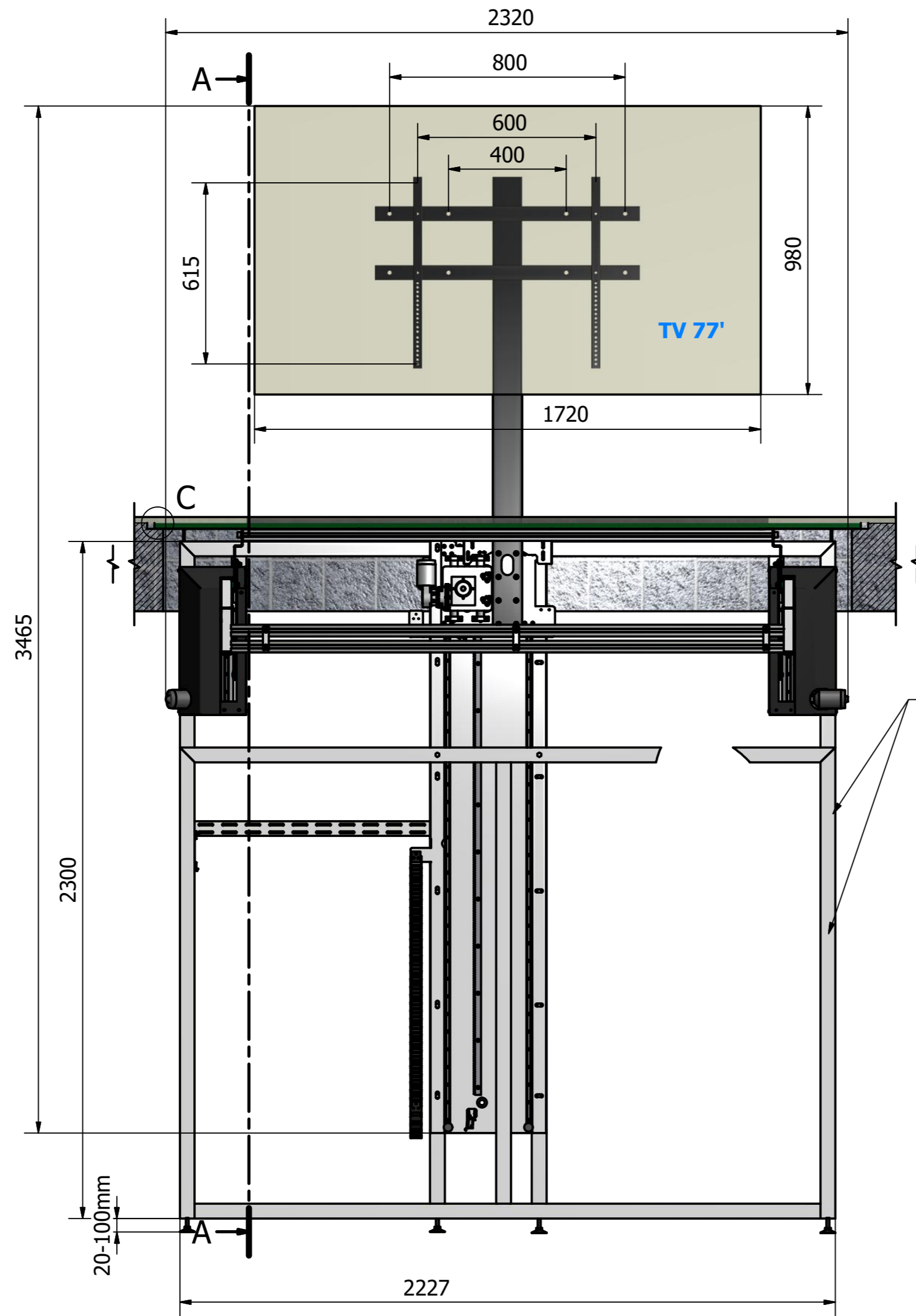
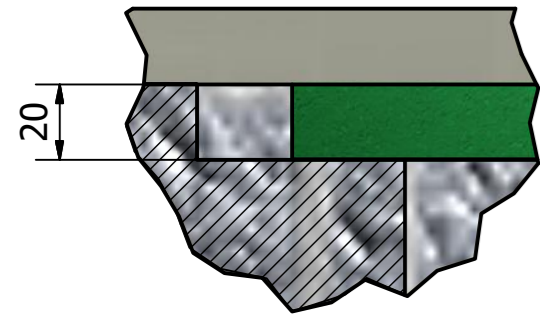
A	B min.
50	350
100	390
150	420
200	450
250	460
>300	465

77_VIEW_1



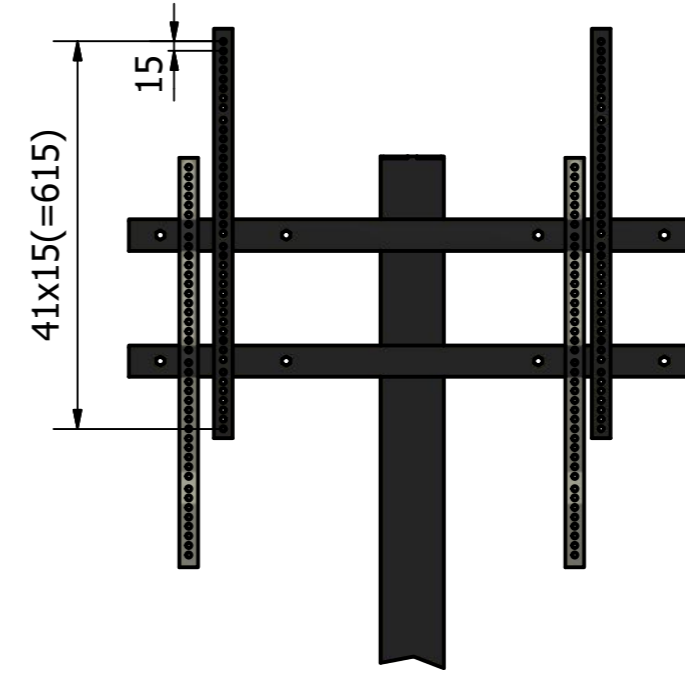
77_VIEW_2

C (1:2)

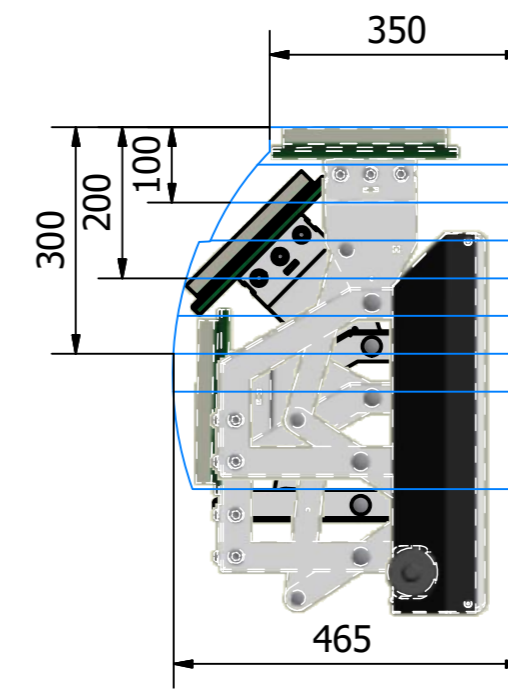
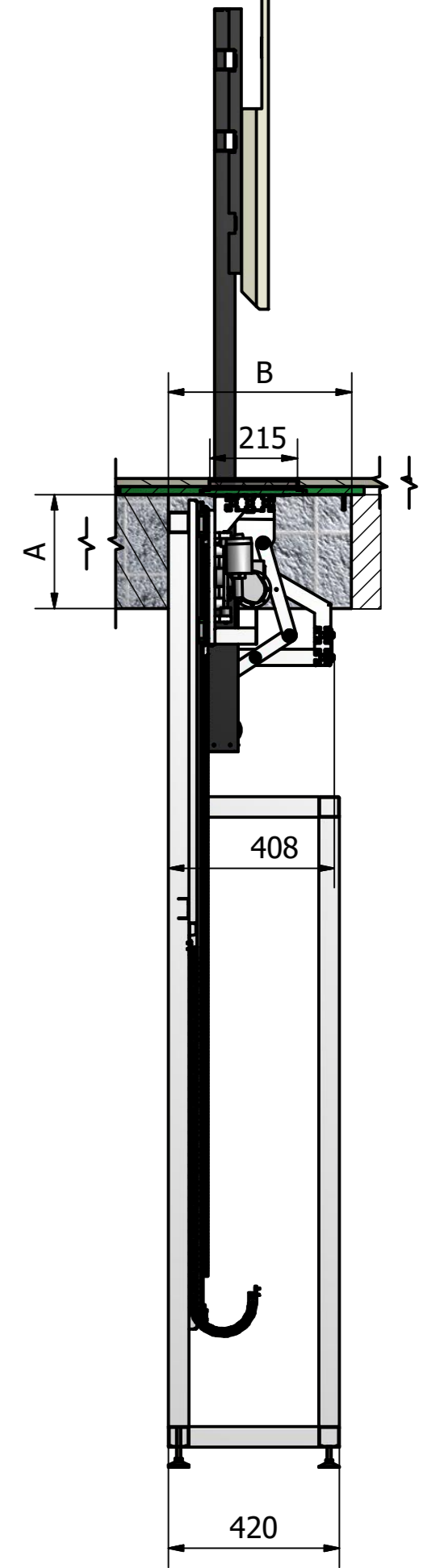


Wall mounting holes

B (1:12)



A-A (1:15)



A	B min.
50	350
100	390
150	420
200	450
250	460
>300	465

85_VIEW_1

