

TV Lifts | TV Stands | Projector Lifts | Accessories



**Modern  
technology  
in every room**

**For over 20 Years Sabaj System has been producing quality tv lifting, rotating, and tilting solutions. We are a family company striving to provide the highest quality to our customers. SBAJ was founded in 1968 as a series of mechanical workshops and has since developed into a leading company contributing greatly to the idea of high - tech intelligent house tv solutions. We intend to take the manufacturing technology to the next level. Our team of engineers, electronic specialists, state-of-the-art crafting employees allow us to be sure of the quality of our products. We supply our products with 5 years warranty. Our products are UL, CE ROHS certified. All of those above helps us in finding distributors and customers in countries all over the globe. And of course - more and more satisfied customers.**







**Sabaj System Sp. z o. o**  
30-841 Kraków, ul. Domagały 15  
VAT: 679-26-67-118  
tel. +48 12 653 53 95; fax: +48 12 653 53 82  
e-mail: sales@sabaj.pl  
www.rtv.sabaj.pl

<b>TV Lifts</b>	<b>3</b>
K-Eco RF	4
K-Eco IR	7
K-Premium RF	10
K-Premium IR	13
A-Series	16
K-Down	19
Rotolift	22
<b>Automatic lid opening system</b>	<b>25</b>
Auto-Lid	25
<b>Wall brackets</b>	<b>27</b>
Swing-Mount IR	27
<b>Mobile TV lifts</b>	<b>29</b>
MobiLift Eco	31
MobiLift Premium	34
MobiLift Accessories	37
<b>TV Stands</b>	<b>40</b>
TV-Stand NM - manual	40
TV Stand IR	42
F-Stand IR	44
In-Stand 340	46
<b>Projector lifts</b>	<b>48</b>
WP-560	48
<b>Monitor lifts</b>	<b>50</b>
M Eco	50
<b>Cabinets</b>	<b>53</b>
Cabinet & TV-Lift Set	53
<b>Accessories</b>	<b>55</b>
<b>Shipping weight and package dimensions</b>	<b>58</b>
<b>Product features</b>	<b>59</b>
<b>Available plugs</b>	<b>60</b>









## Cabinet lift system ECO RF

K-Eco series is a budget version of K-Type. RF Operated remote controller attached - RF signal can easily go through wooden furniture, eliminating the necessity of wiring antennas or receivers outside the furniture. Lift is equipped with an electric motor safety system, that prevents the motor from overheating by carrying a load that is heavier than possible. Viewing position is programmed with the control box - a very easy procedure, properly described in the attached manual. Universal TV mount covers VESA standards from 200x200 to 600x600 and everything in between. The digital display shows all the necessary operational commands and programming modes.



**RF remote control included**

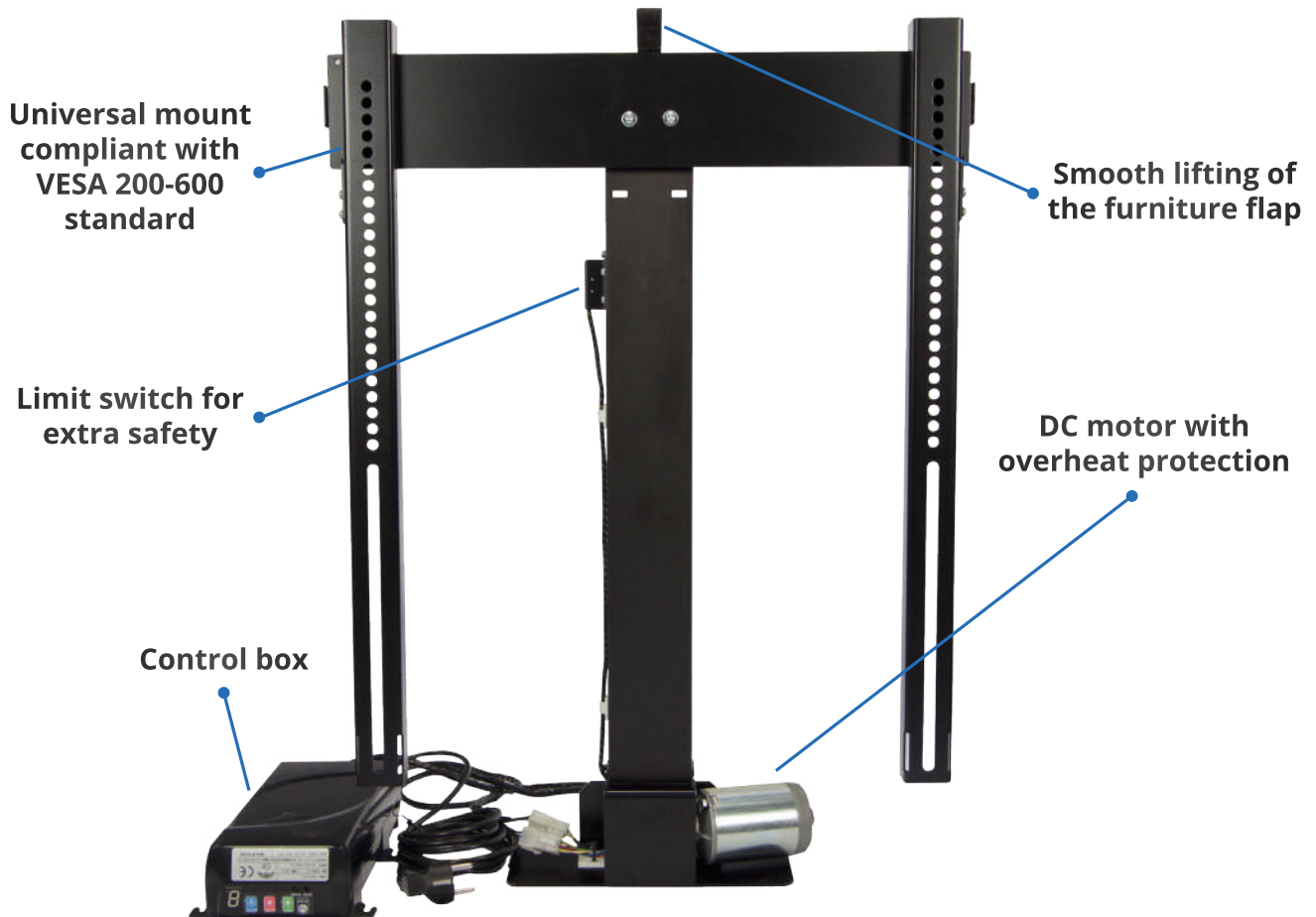


**Easy stroke adjustment**



**5 year warranty**

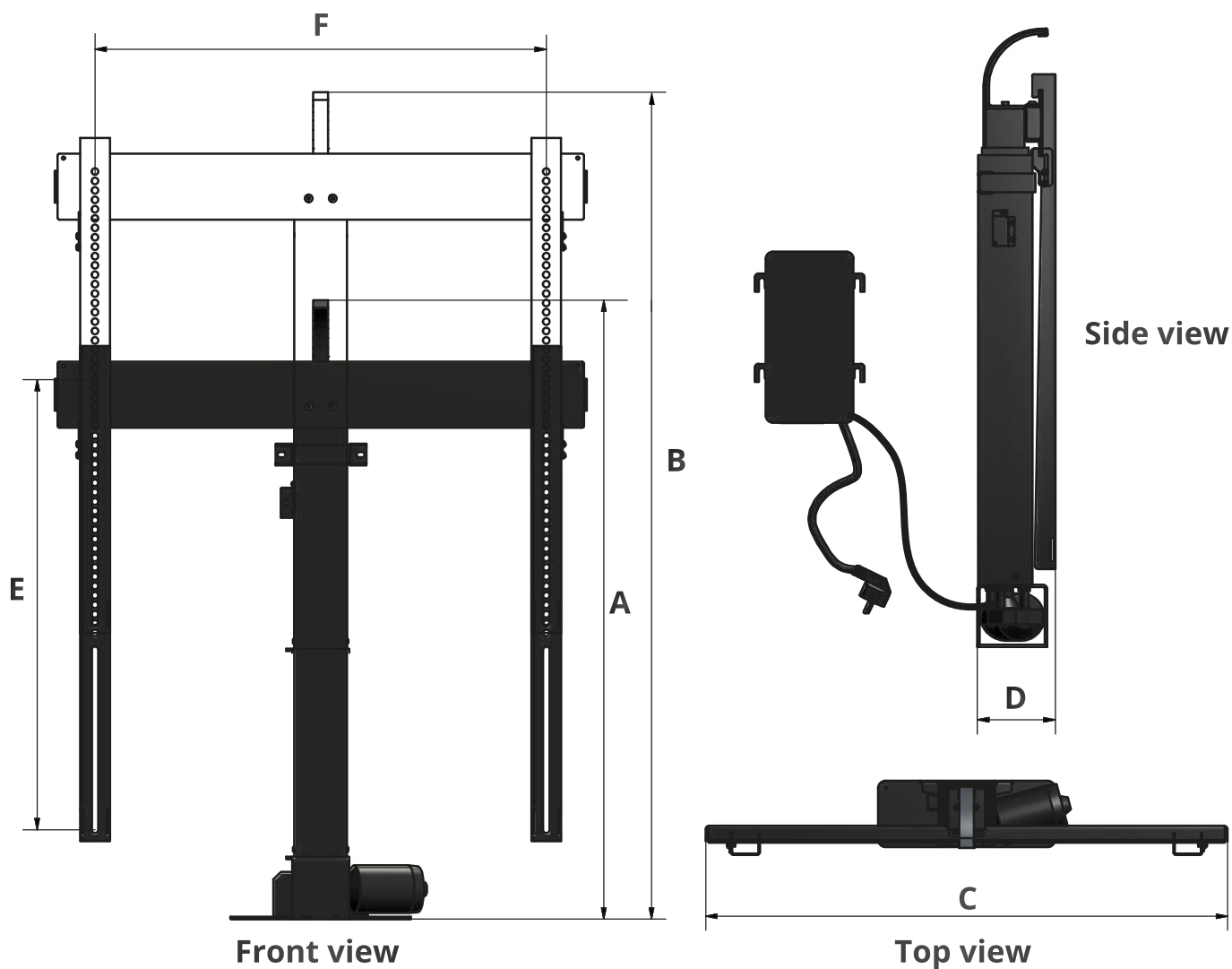




Compatible accessories on pages 56 - 57



Specification		
	K-1 Eco RF	K-2 Eco RF
lifting capacity	30 kg / 65 lb	50 kg / 110 lb
lifting height	720 mm / 28"	840 mm / 33"
max screen height	690 mm / 27"	800 mm / 32"
max. VESA	400x600	600x600
lifting speed	20 mm/s	
power consumption	80W	
power supply	115V/230V	



**Extension bracket available for low mount LED TV**  
**Product ID: K-BRCK-EXTD**

Dimensions [mm]		
	K-1 Eco RF	K-2 Eco RF
A	708	822
B	1428	1662
C	508	708
D	111	111
E	530	600
F	100-460	100-660

Find out more on: [rtv.sabaj.pl](http://rtv.sabaj.pl)





## Cabinet lift system ECO IR

\*Compatible with most TV remotes

K-Eco series is a budget version of K-Type. Operated with the IR receiver attached. The receiver needs to be put outside the furniture for the proper signal receipt. Easy remote learning procedure thanks to the IR-Multicode system allows using any TV's remote for controlling the lift. IR remote is not attached - you can use any remote that operates in most popular IR bandwidth. The unit is equipped with electric motor safety system, that prevents the motor from overheating by carrying a load that is heavier than possible. The viewing position is programmed with the control box. Universal TV mount covers VESA standards from 200x200 to 600x600 and everything in between. Digital display to show all the necessary operational commands and programming modes.



**Universal IR  
multicode receiver**



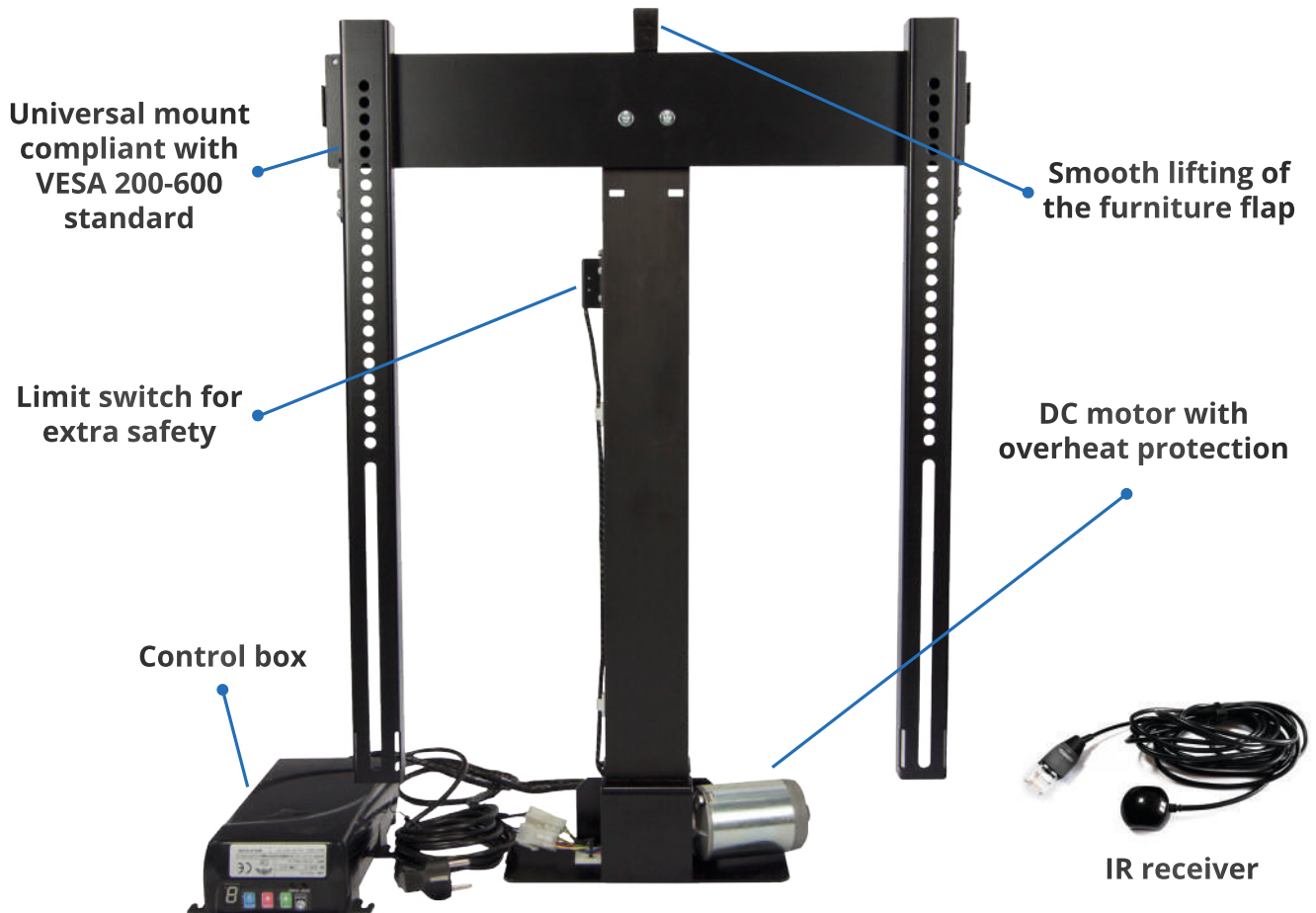
**Easy stroke  
adjustment**



**5 year  
warranty**



**WiFi Ready**  
K-SMRT accessory on page 56

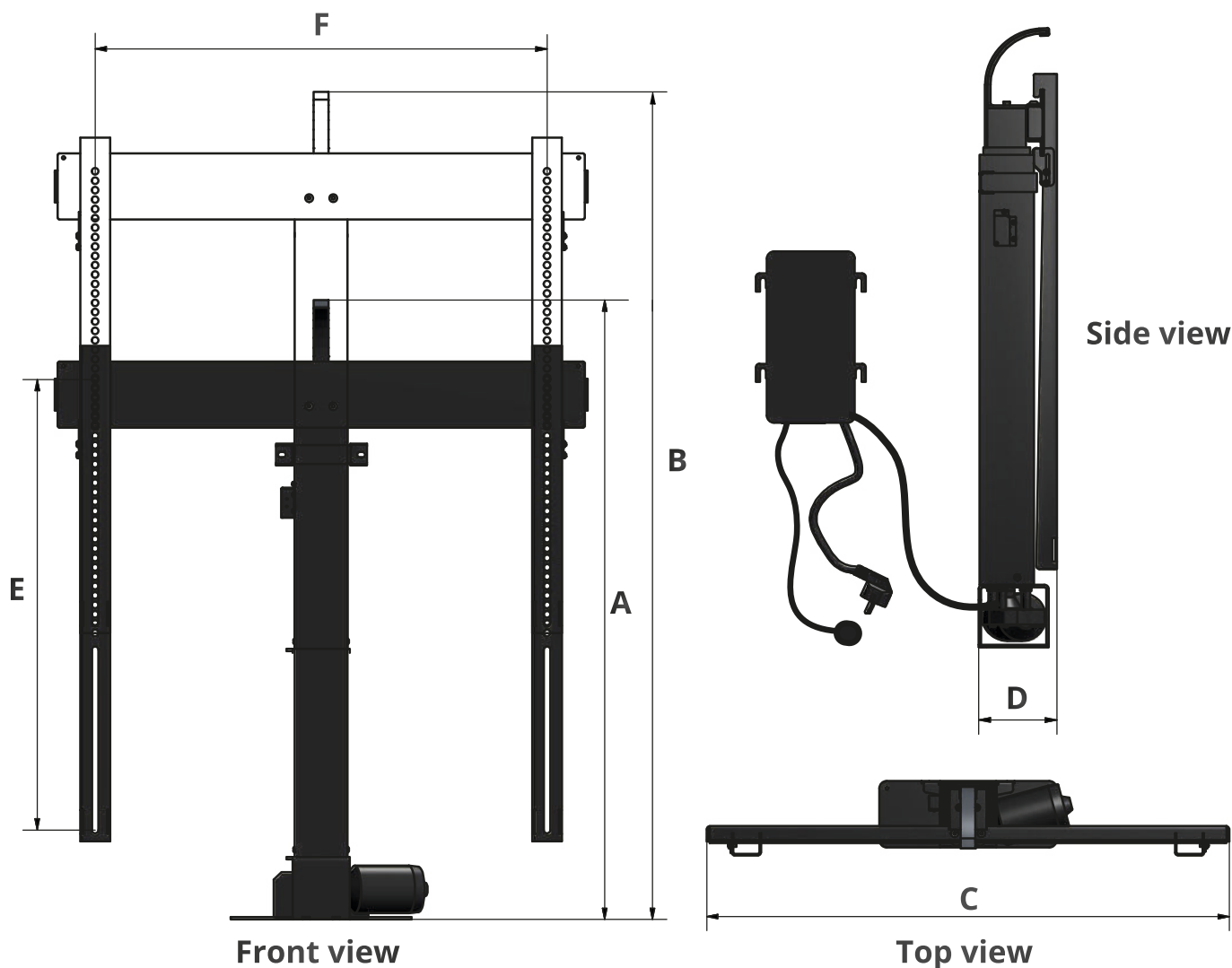


Compatible accessories on pages 56 - 57



Specification		
	K-1 Eco IR	K-2 Eco IR
lifting capacity	30 kg / 65 lb	50 kg / 110 lb
lifting height	720 mm / 28"	840 mm / 33"
max screen height	690 mm / 27"	800 mm / 32"
max. VESA	400x600	600x600
lifting speed	20 mm/s	
power consumption	80W	
power supply	115V/230V	

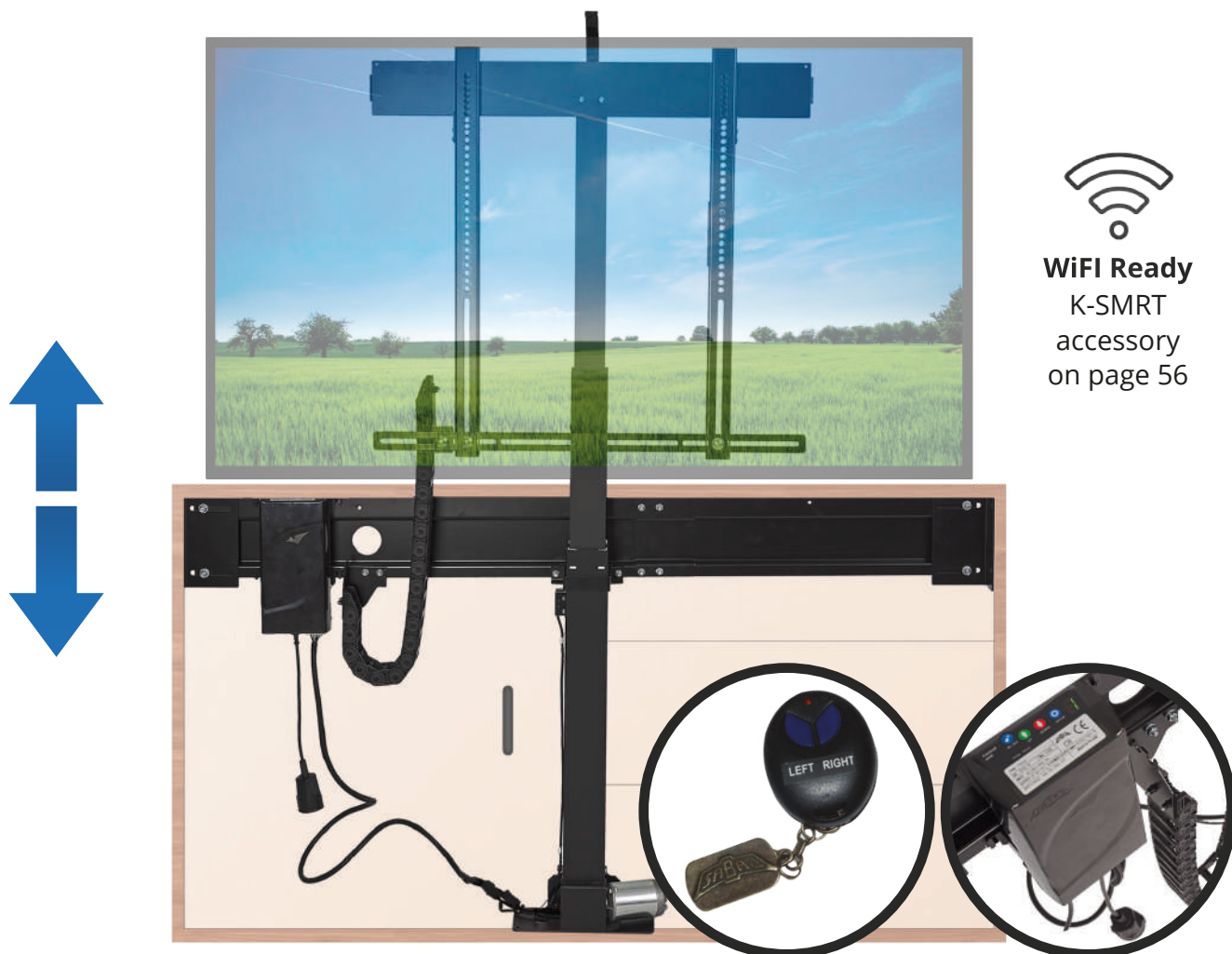




**Extension bracket available for low mount LED TV**  
**Product ID: K-BRCK-EXTD**

## Dimensions [mm]

	K-1 Eco IR	K-2 Eco IR
<b>A</b>	708	822
<b>B</b>	1428	1662
<b>C</b>	508	708
<b>D</b>	111	111
<b>E</b>	530	600
<b>F</b>	100-460	100-660



## RF controlled premium cabinet lift

The Premium has all the possible perks. It can lift heavier and bigger screens than the Eco series. Unique and patented TV weighting system stops and raises the lift slightly even if a slight obstacle is encountered - therefore protecting both the unit and the users around it. Additional power cord allows connecting TV directly to the lift - no need for extra cables. Power Guard function protects the TV from lowering it when turned on - cutting the power of the screen so that it's always hidden securely. Electric motor overload protection. 5 Year warranty with over 80 thousand cycles on full load ensured. Active RJ-45 Port allows using all the SBAJ accessories with this unit. RF Operated with remote attached - RF signal can easily go through wooden furniture, eliminating the necessity of wiring antennas or receivers outside the furniture. Easy cable management with plastic chain cable carrier - to keep everything tidy and secure. Soft start and soft stop function keep the mechanism working for even longer. Universal TV mount covers VESA standards from 200x200 to 600x600 and everything in between. Extra support bar eliminates the need of a sturdy backplate on the furniture. The top and low viewing positions can be easily programmed via the control box.



**RF remote control included**



**Easy stroke adjustment**



**Active RJ-45 socket + Power Guard**



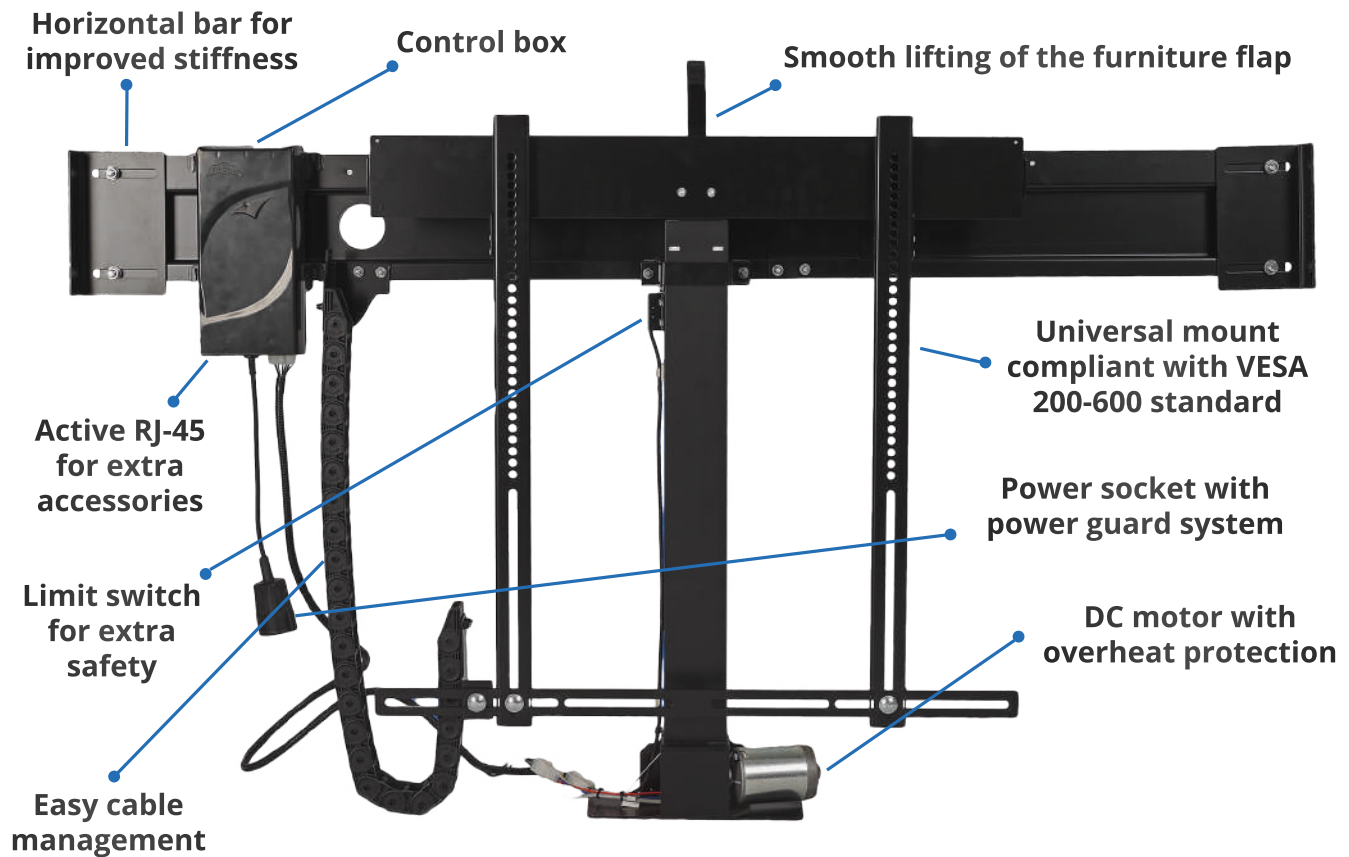
**Safety systems**



**Cable guide**



**5 year warranty**



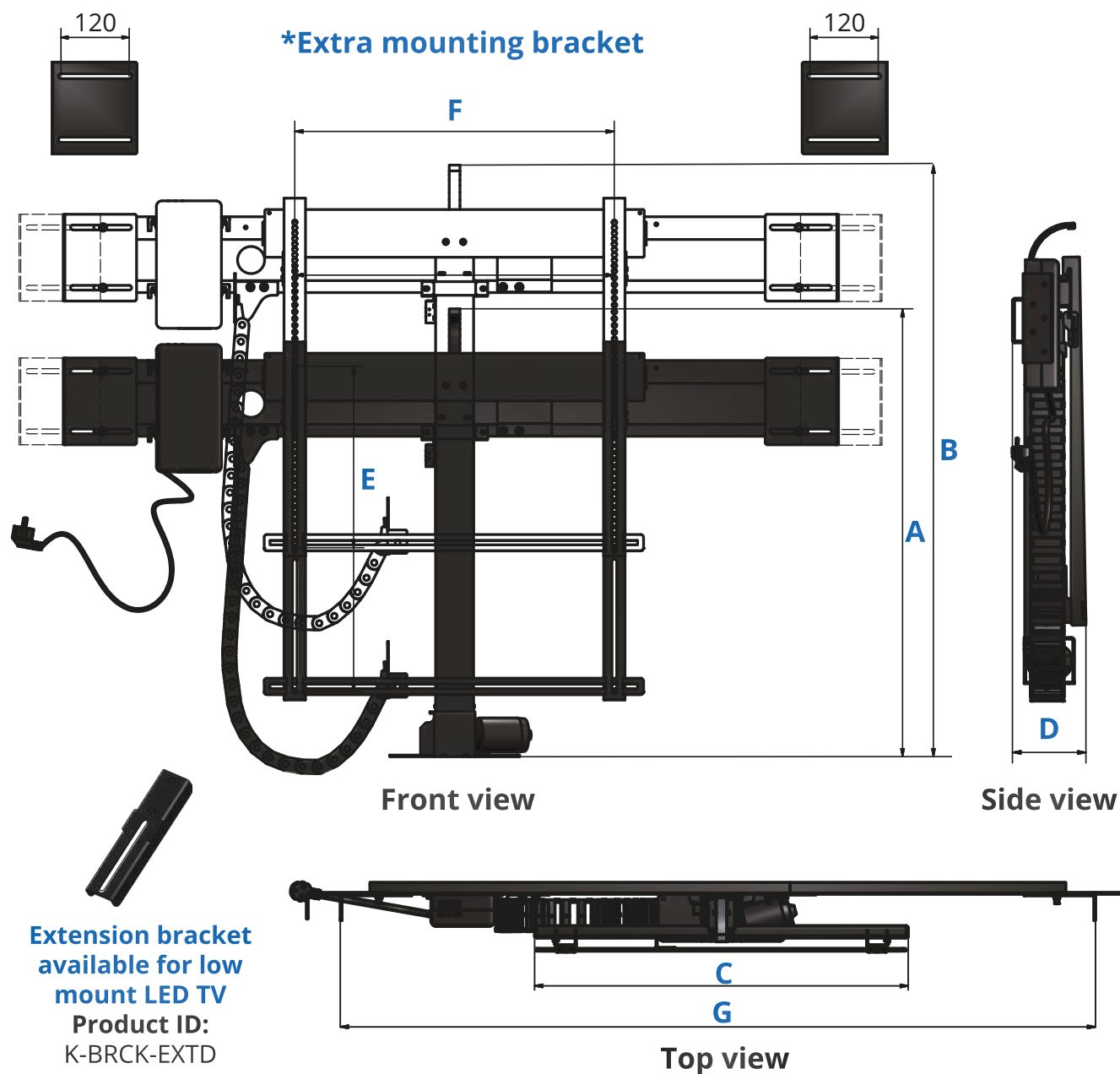
Compatible accessories on pages 56 - 57



## Specification

	K-1 Premium RF	K-2 Premium RF	K-3 Premium RF	K-5 Premium RF
<b>lifting capacity</b>	30 kg / 65 lb	50 kg / 110 lb	70 kg / 115 lb	80 kg / 176 lb
<b>lifting height</b>	720 mm / 28"	840 mm / 33"	970 mm / 38"	1025 mm / 43"
<b>max screen height</b>	690 mm / 27"	800 mm / 32"	860 mm / 34"	940 mm / 37"
<b>max. VESA</b>	400x600	600x600	600x600	600x600
<b>lifting speed</b>	20 mm/s			
<b>power consumption</b>	80W			
<b>power supply</b>	115V/230V			

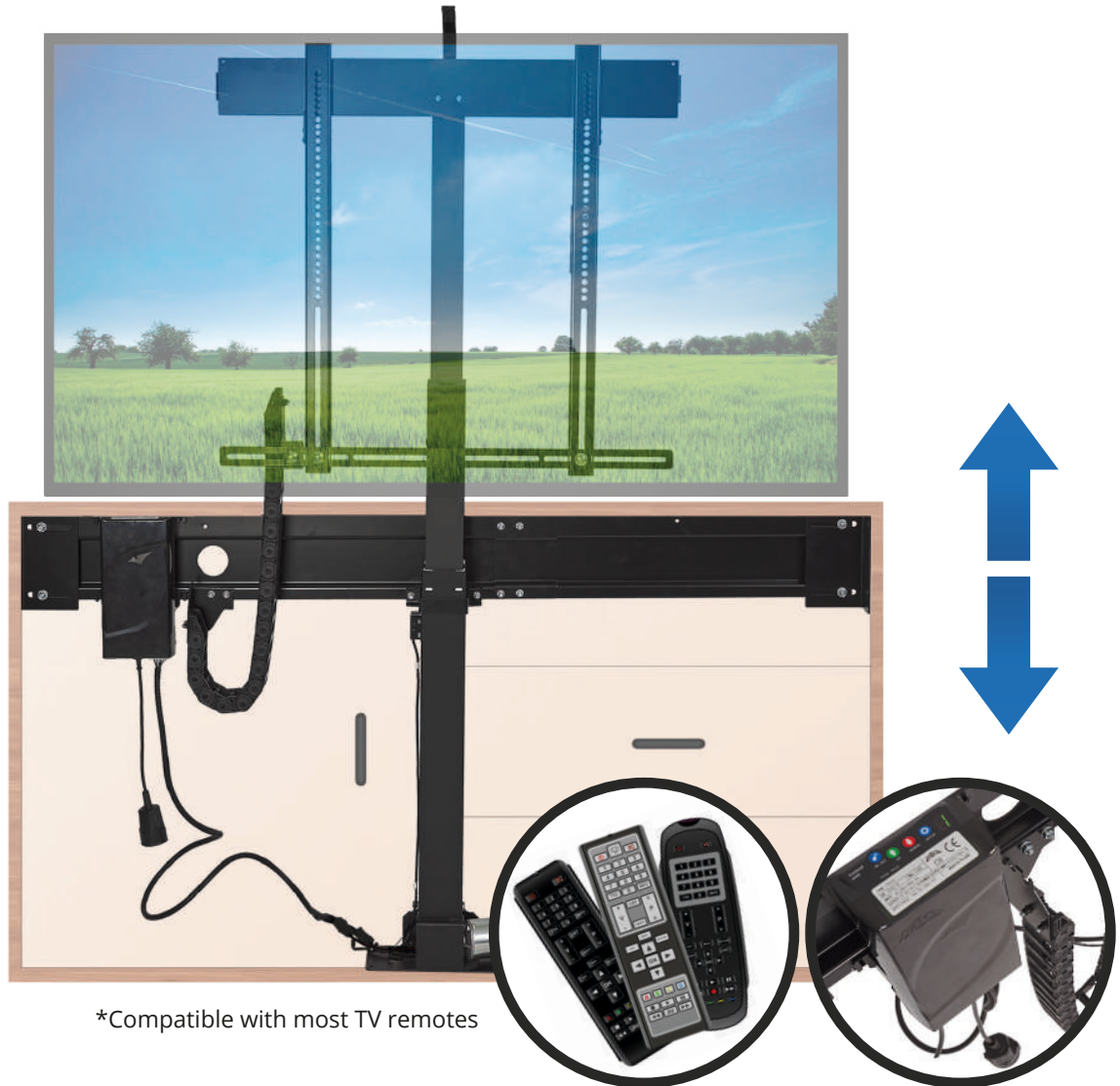




Dimensions [mm]				
	K-1 Premium RF	K-2 Premium RF	K-3 Premium RF	K-5 Premium RF
<b>A</b>	708	822	887	965
<b>B</b>	1428	1662	1857	1990
<b>C</b>	508	708	708	708
<b>D</b>	131	131	131	131
<b>E</b>	530	600	670	740
<b>F</b>	100-460	100-660	100-660	100-660
<b>G</b>	1160-1280	1320-1440	1320-1448	1550-1670
<b>*G + extra mounting bracket</b>	-	-	1555	1785



**WiFi Ready**  
K-SMRT  
accessory  
on page 56



\*Compatible with most TV remotes

## IR controlled premium cabinet lift

Operated through the IR Receiver attached and your TV's or any other device's IR remote (no extra remotes required). The Premium has all the possible perks. It can lift heavier and bigger screens than the Eco. Unique and patented TV weighting system stops and raises the lift slightly even if a slight obstacle is encountered - therefore protecting both the unit and the users around it. Additional power cord allows connecting TV directly to the lift - no need for extra cables. Power Guard function protects the TV from lowering it when turned on - cutting the power of the screen so that it's always hidden securely. Electric motor protected from too much load and overheating. 5 Year warranty with over 80 thousand cycles on full load ensured. Active RJ-45 Port allows using all the SABAJ accessories with this unit.



**Universal IR  
multicode receiver**



**Easy stroke  
adjustment**



**Active RJ-45 socket  
+ Power Guard**



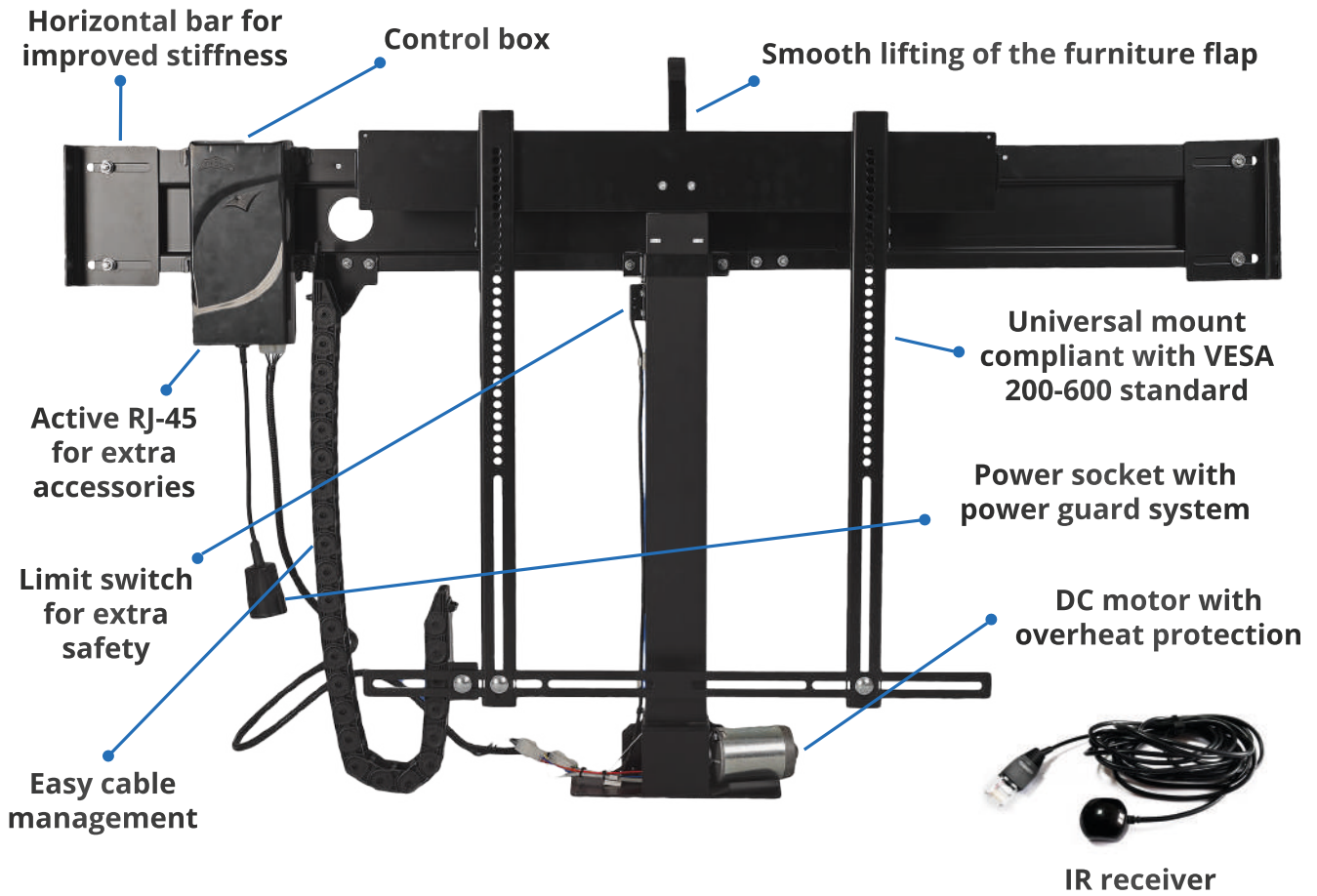
**Safety  
systems**



**Cable  
guide**



**5 year  
warranty**

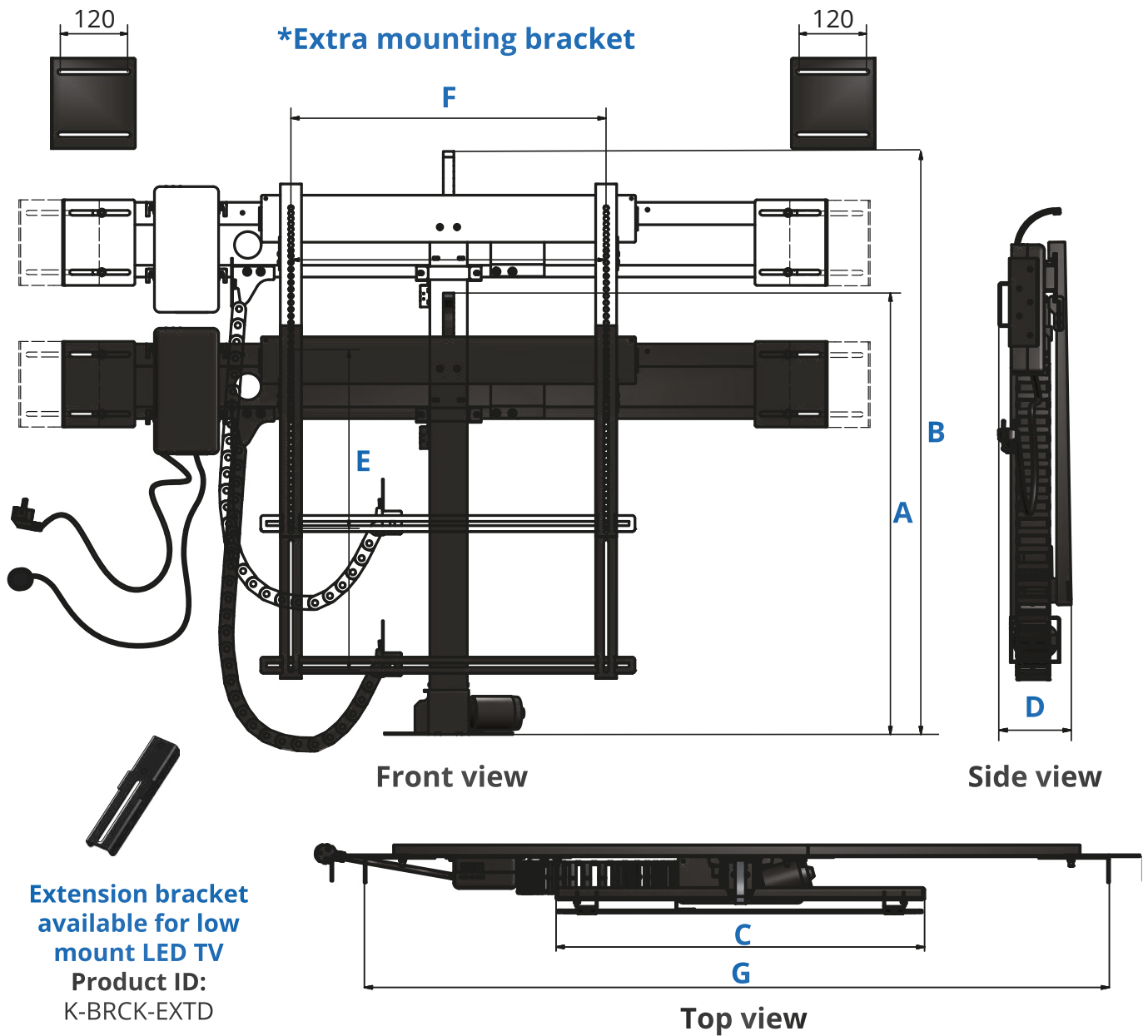


Compatible accessories on pages 56 - 57

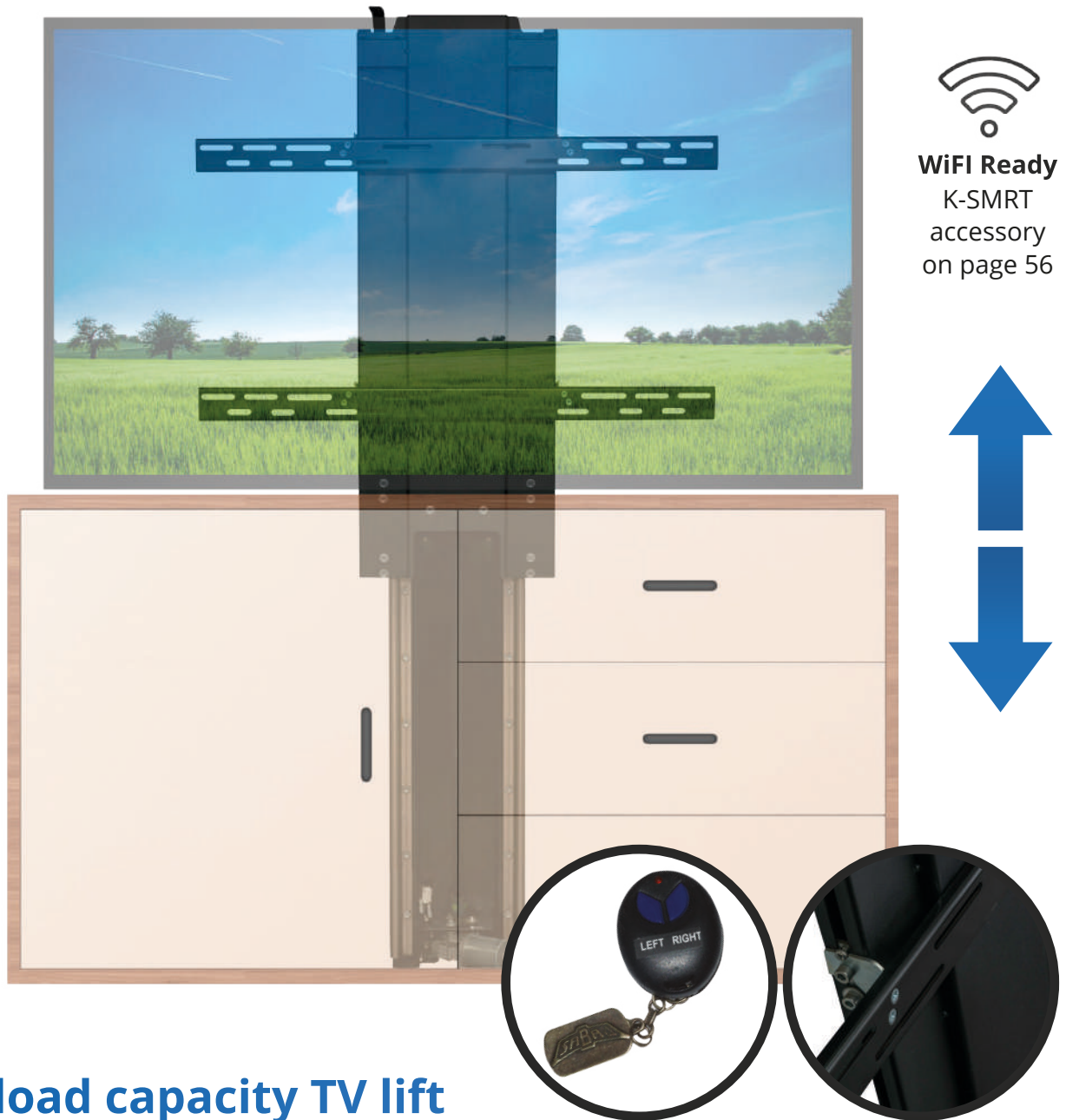


Specification				
	K-1 Premium IR	K-2 Premium IR	K-3 Premium IR	K-5 Premium IR
<b>lifting capacity</b>	30 kg / 65 lb	50 kg / 110 lb	70 kg / 115 lb	80 kg / 176 lb
<b>lifting height</b>	720 mm / 28"	840 mm / 33"	970 mm / 38"	1025 mm / 43"
<b>max screen height</b>	690 mm / 27"	800 mm / 32"	860 mm / 34"	940 mm / 37"
<b>max. VESA</b>	400x600	600x600	600x600	600x600
<b>lifting speed</b>	20 mm/s			
<b>power consumption</b>	80W			
<b>power supply</b>	115V/230V			





Dimensions [mm]				
	K-1 Premium IR	K-2 Premium IR	K-3 Premium IR	K-5 Premium IR
<b>A</b>	708	822	887	965
<b>B</b>	1428	1662	1857	1990
<b>C</b>	508	708	708	708
<b>D</b>	131	131	131	131
<b>E</b>	530	600	670	740
<b>F</b>	100-460	100-660	100-660	100-660
<b>G</b>	1160-1280	1320-1440	1320-1448	1550-1670
<b>*G + extra mounting bracket</b>	-	-	1555	1785



## High load capacity TV lift

Heavy lifting unit with a very sturdy design. The A series was designed to lift screens and furniture up to 100 kg. More commonly used as cabinet / container lift. RF Operated (RF remote in the package). The control box has an active RJ-45 Port , which means all of the Sabaj Accessories can be used on this model. Universal TV mount covers VESA standards from 200x200 to 600x600 and everything in between. Digital display to show all the necessary operational commands and programming modes.



RF remote control included



Easy stroke adjustment



Active RJ-45 socket



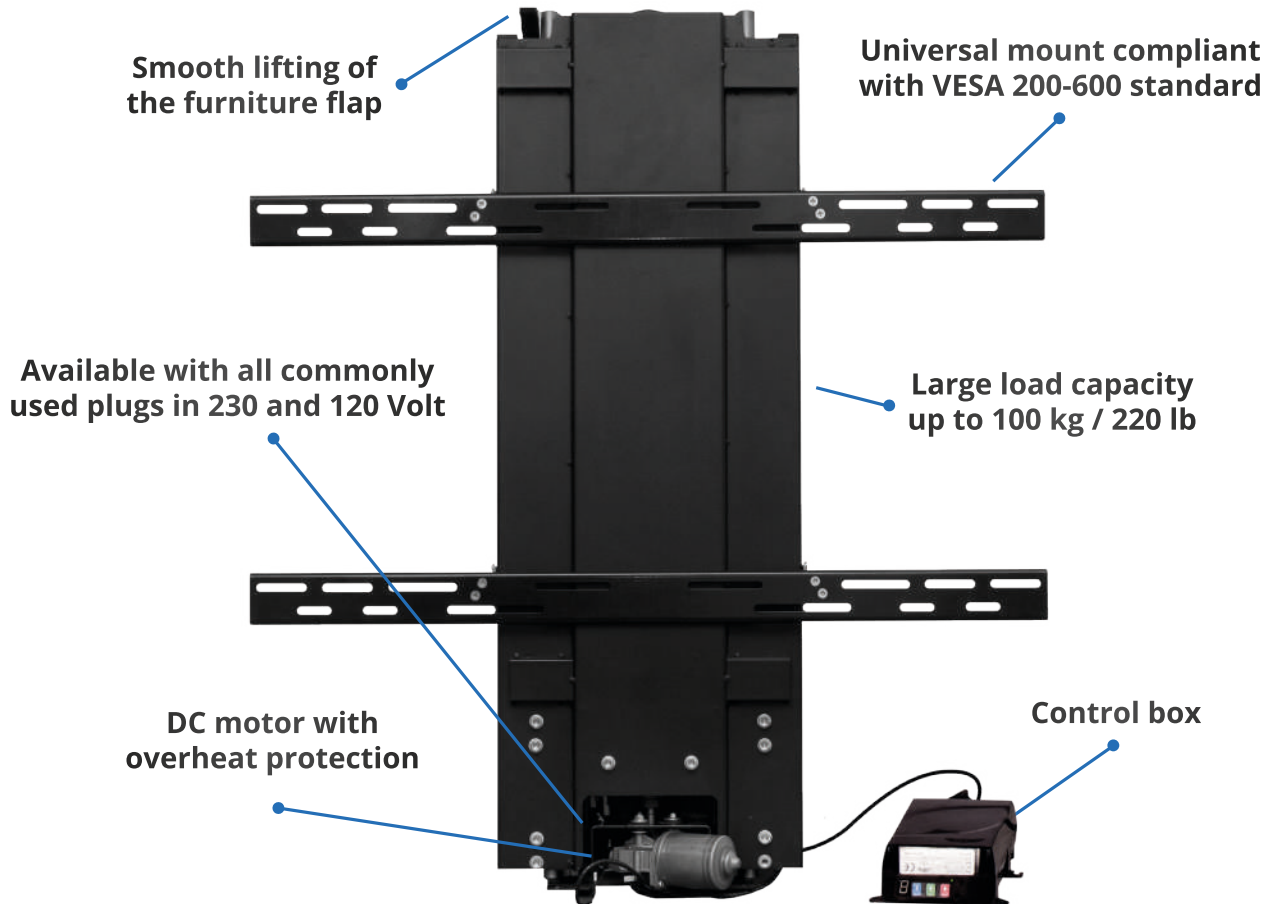
Safety systems



Cable guide



5 year warranty



Compatible accessories on pages 56 - 57

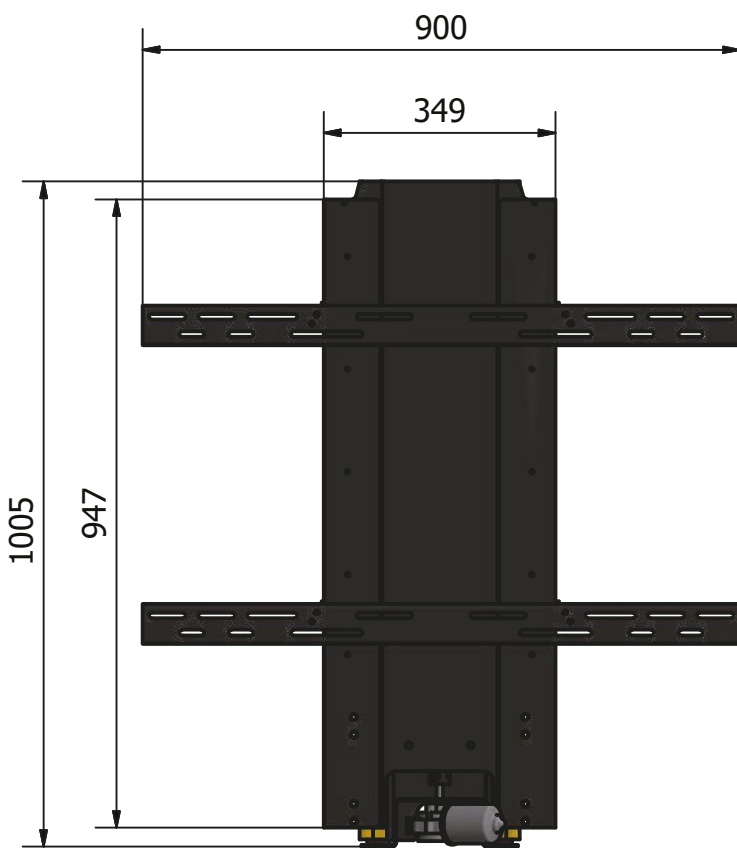
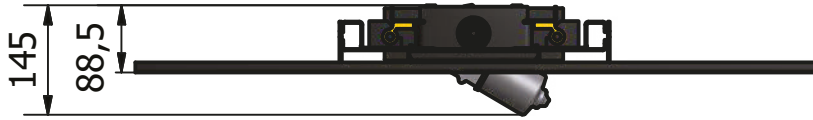


## Specification

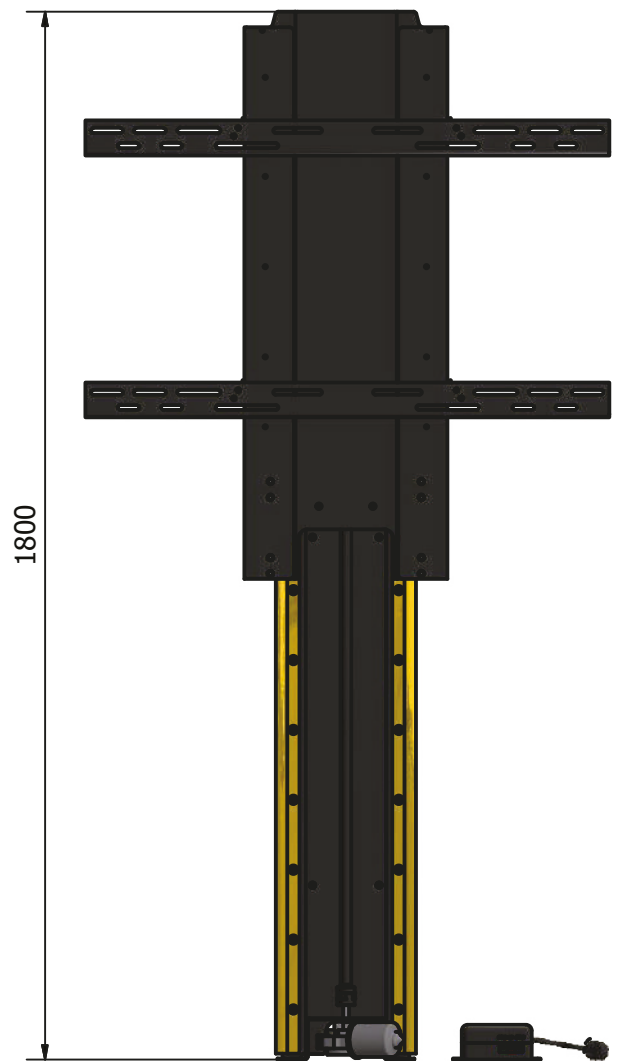
	A-2
lifting capacity	100 kg / 220 lb
lifting height	800 mm / 32"
max screen height	790 mm / 31"
max. VESA	600x600
lifting speed	20 mm/s
power consumption	80W
power supply	115V/230V



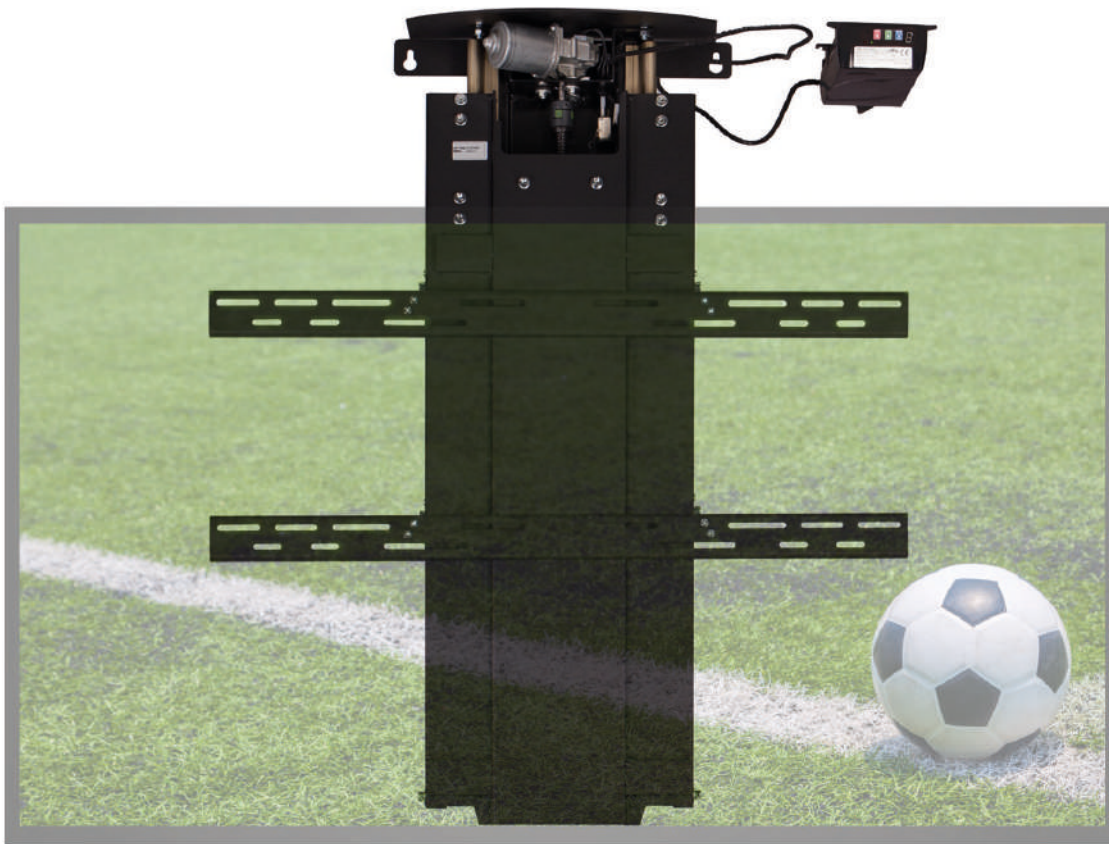
Top view



Front view



Front view



**WiFi Ready**  
K-SMRT  
accessory  
on page 56



## Wall / Ceiling TV lift

Lowering (upside down) lift with the possibility of Ceiling or wall setup. Sturdy design allows carrying heavier screens and furniture. Control box has an active RJ-45 Port, which means all of the Sabaj Accessories can be used on this model. Universal TV mount covers VESA standards from 200x200 to 600x600 and everything in between. Digital display to show all the necessary operational commands and programming modes.



**RF remote control included**



**Easy stroke adjustment**



**Active RJ-45 socket**



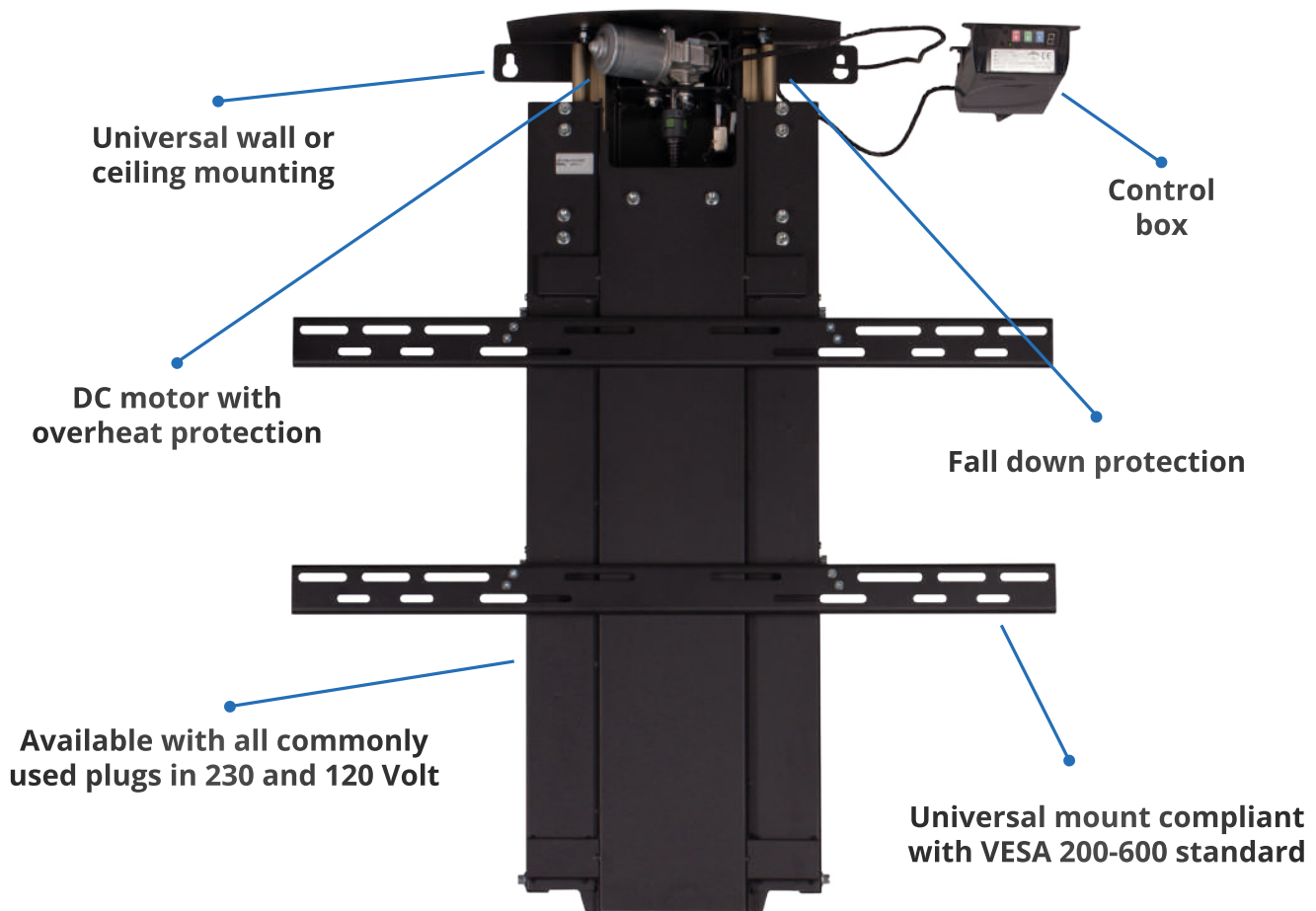
**Safety systems**



**Cable guide**



**5 year warranty**

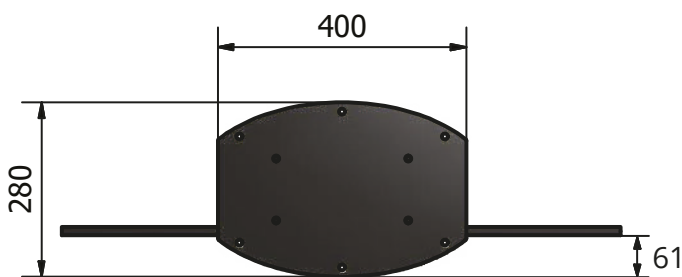
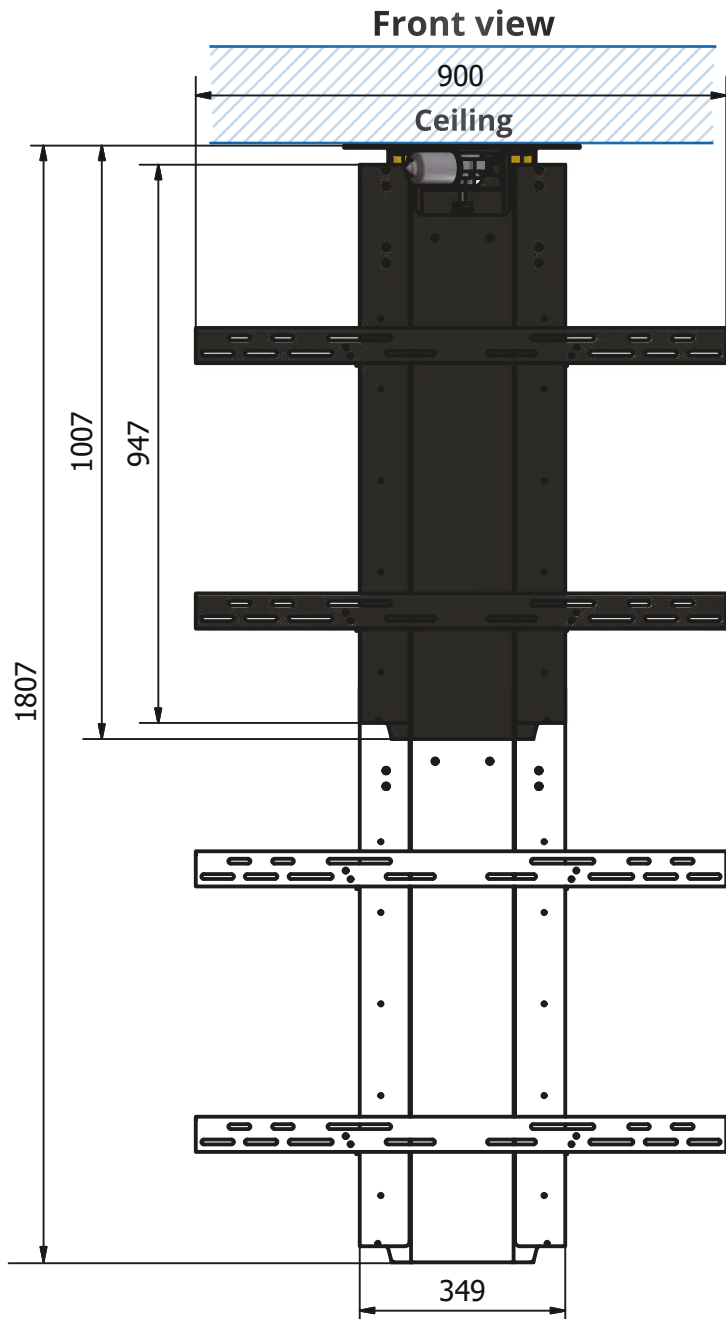


Compatible accessories on pages 56 - 57

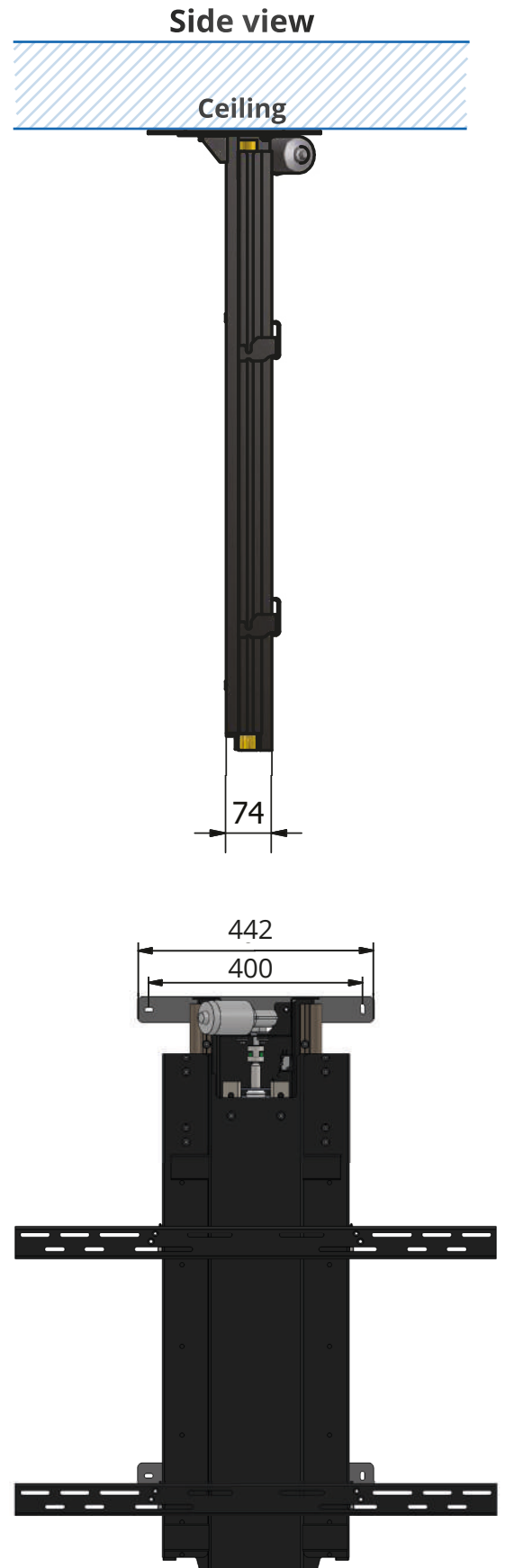


Specification	
	<b>K-2 Down</b>
<b>lifting capacity</b>	80 kg / 176 lb
<b>lifting height</b>	800 mm / 32"
<b>max. VESA</b>	600x600
<b>lifting speed</b>	20 mm/s
<b>power consumption</b>	80W
<b>power supply</b>	115V/230V

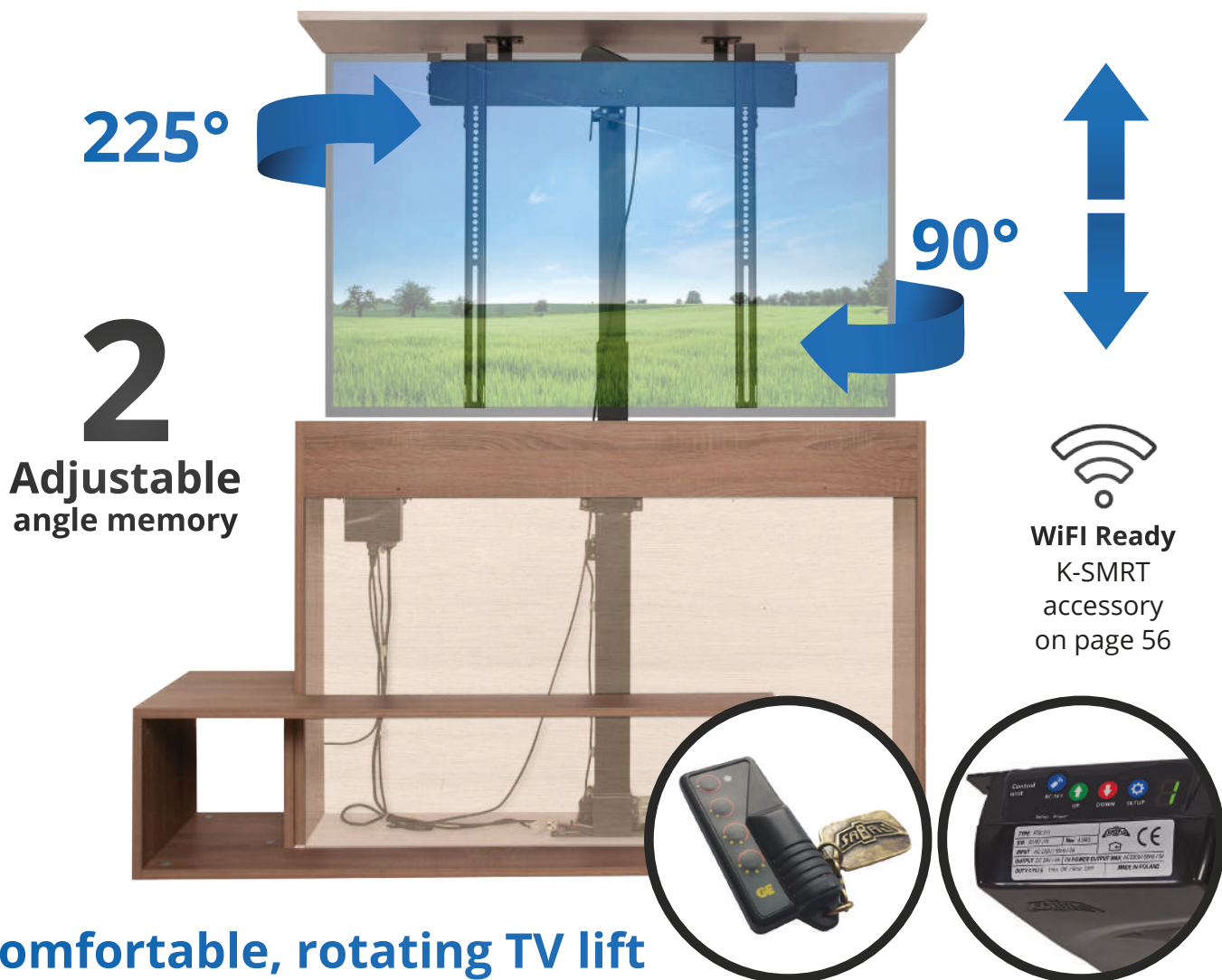




**Ceiling mount**



**Wall mount**



## Comfortable, rotating TV lift

The Rotolift series, in addition to the lifting and lowering functions, also has the ability to rotate the mounted TV. RF Operated with RF Remote delivered in the set. Rotation 225° Clockwise and 90° counter-clockwise. Soft start and soft stop function keep the mechanism working for even longer. Universal TV mount covers VESA standards from 200x200 to 600x600 and everything in between. The top and low viewing positions can be easily programmed via the control box. The premium control box allows most of the premium conveniences. Unique and patented TV weighting system stops and raises the lift slightly even if a slight obstacle is encountered - therefore protecting both the unit and the users around it. Additional power cord allows connecting TV directly to the lift -no need for extra cables. Power Guard function protects the TV from lowering it when turned on - cutting the power of the screen, so that it's always hidden securely. Electric motor protected from too much load and overheating. 5 Year warranty with over 80 thousand cycles on full load ensured. This model requires mounting lid on the top of the TV - propper brackets with easy mounting instructions are provided. A Multicode IR-Receiver can be purchased separately to operate a TV lift with IR remotes.



**RF remote control included**



**Easy angle adjustment**



**Active RJ-45 socket + Power Guard**



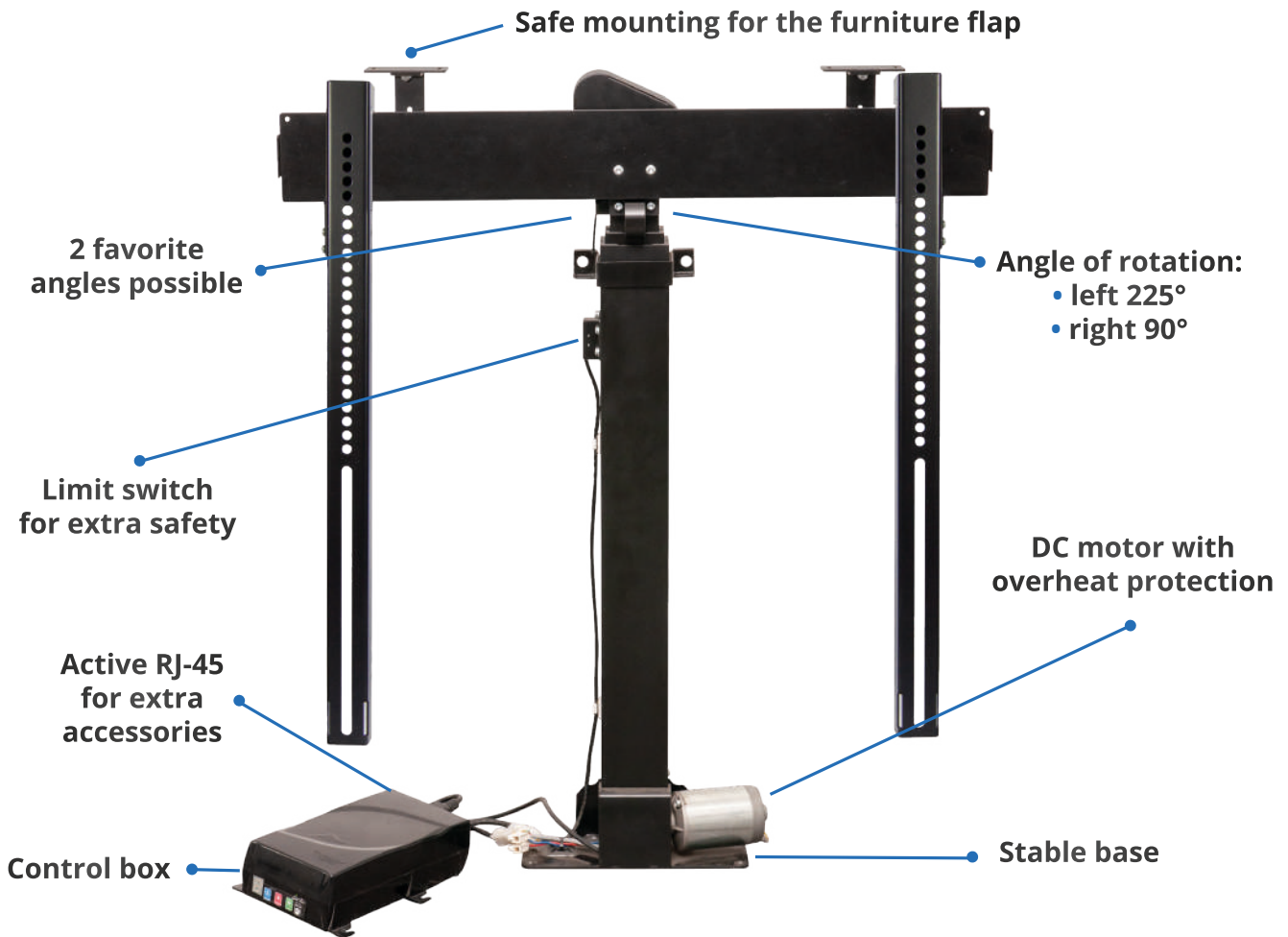
**Safety systems**



**Cable guide**



**5 year warranty**



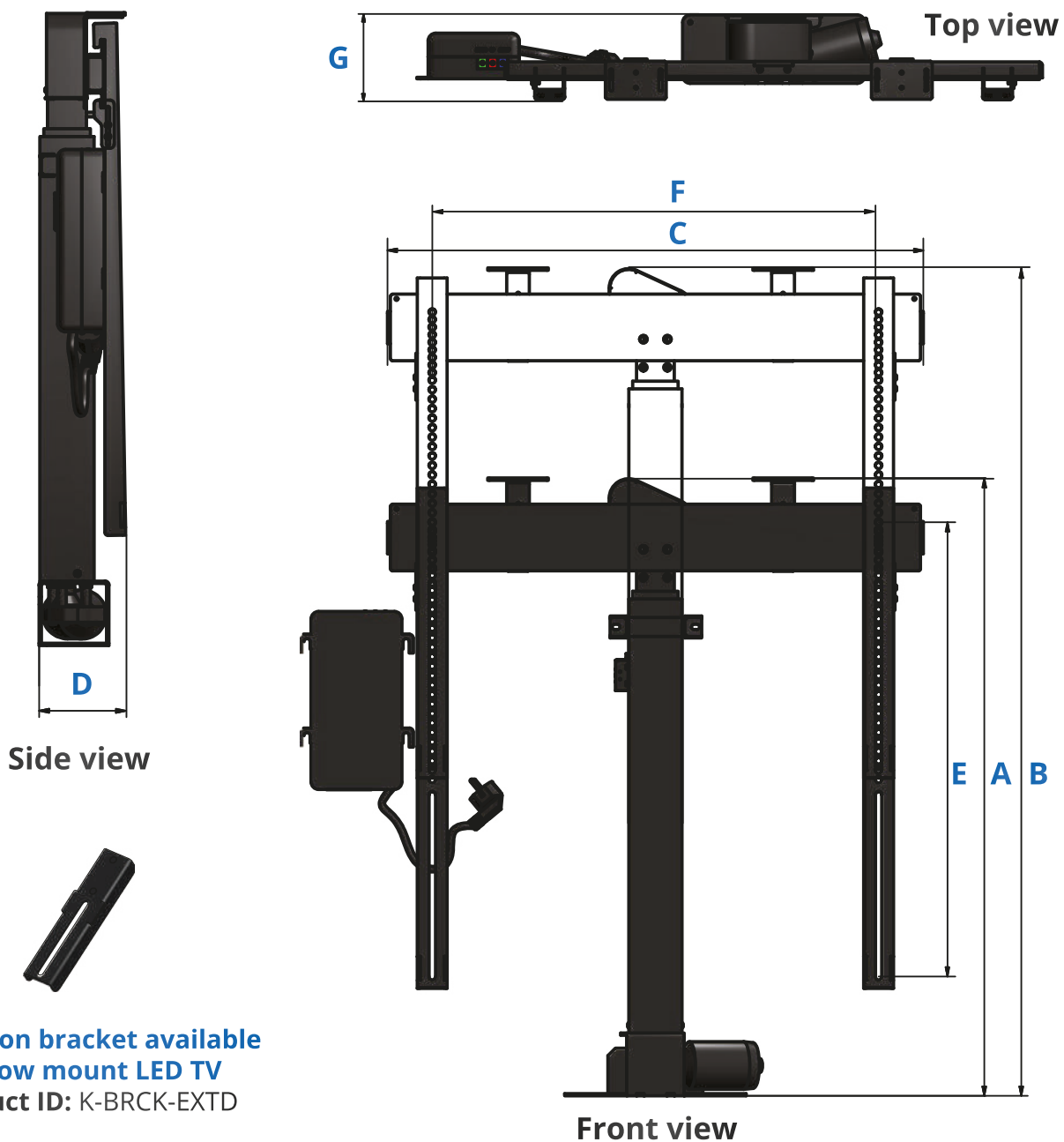
Compatible accessories on pages 56 - 57



## Specification

	K-1 Rotolift	K-2 Rotolift	K-3 Rotolift
<b>lifting capacity</b>	30 kg / 65 lb	50 kg / 110 lb	60 kg / 130 lb
<b>lifting height</b>	717 mm / 28"	837 mm / 33"	947 mm / 38"
<b>max. VESA</b>	600x600		
<b>angle of rotation</b>	Left: 225° / Right: 90°		
<b>rotation speed</b>	1.5 rpm		
<b>lifting speed</b>	20 mm/s		
<b>power consumption</b>	80W		
<b>power supply</b>	115V/230V		





## Dimensions [mm]

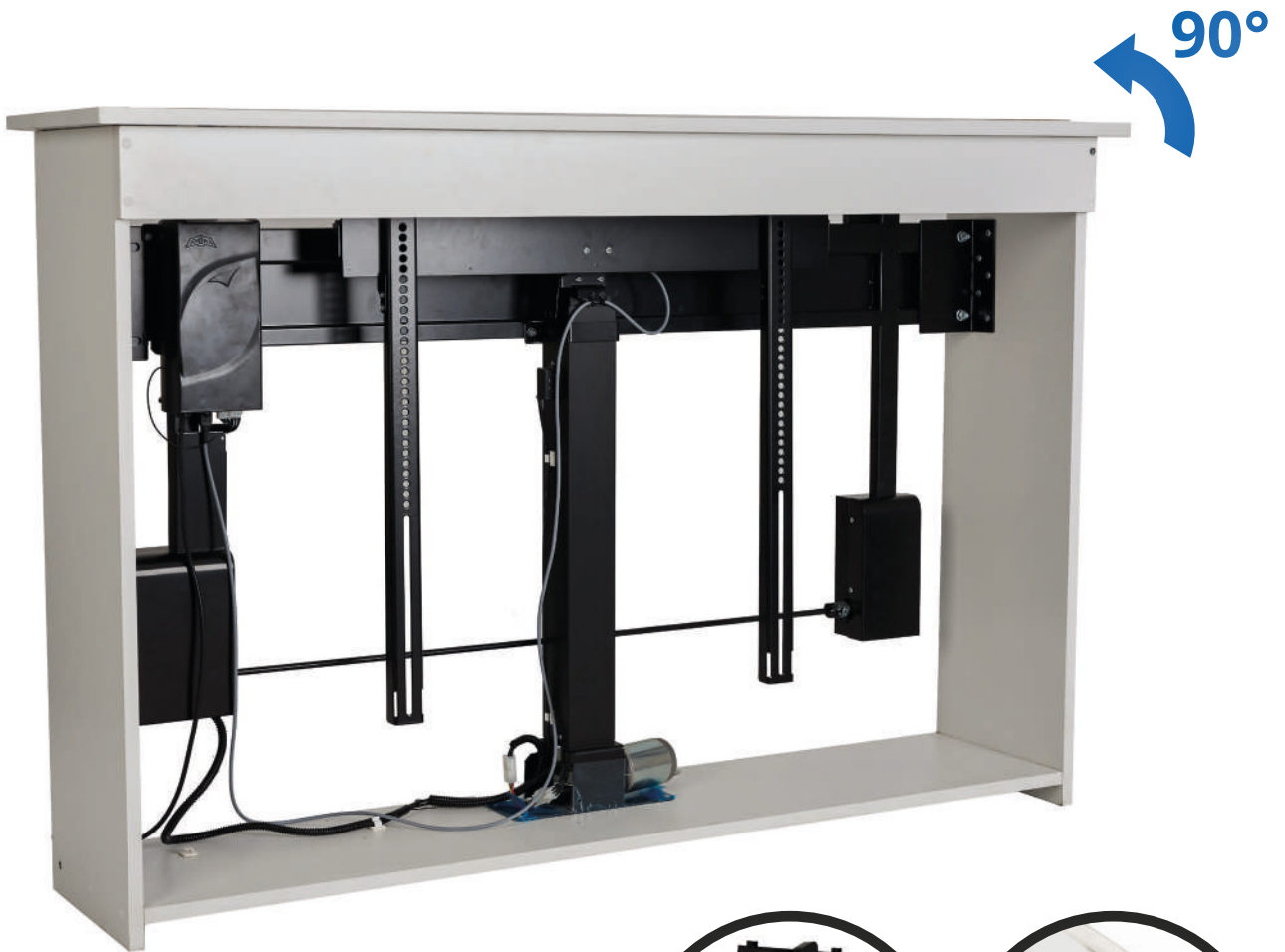
	K-1 Rotolift	K-2 Rotolift	K-3 Rotolift
<b>A</b>	750	815	880
<b>B</b>	1467	1652	1827
<b>C</b>	508	708	708
<b>D</b>	112	112	112
<b>E</b>	530	600	670
<b>F</b>	100-460	100-660	100-660
<b>G</b>	112	112	112

Find out more on: [rtv.sabaj.pl](http://rtv.sabaj.pl)

# Rotolift



# Auto-Lid



## Automatic lid opening system

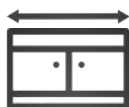
Accessory for Roto-lift Series. This unit is to be connected to the original Rotolift control box, and it hides the lid of your furniture slightly behind it, so that the TV can rotate easily without the necessity of having the lid mounted to the top of the screen. The top-quality electric motor allows over 20 thousand operations with no maintenance. Max weight of the lid 5 kg / 11 lb. Thanks to the clutch system the unit is foul-proof.



Opening angle  
up to 90°



Min. furniture  
height 870 mm



Furniture width  
1330 - 1570 mm

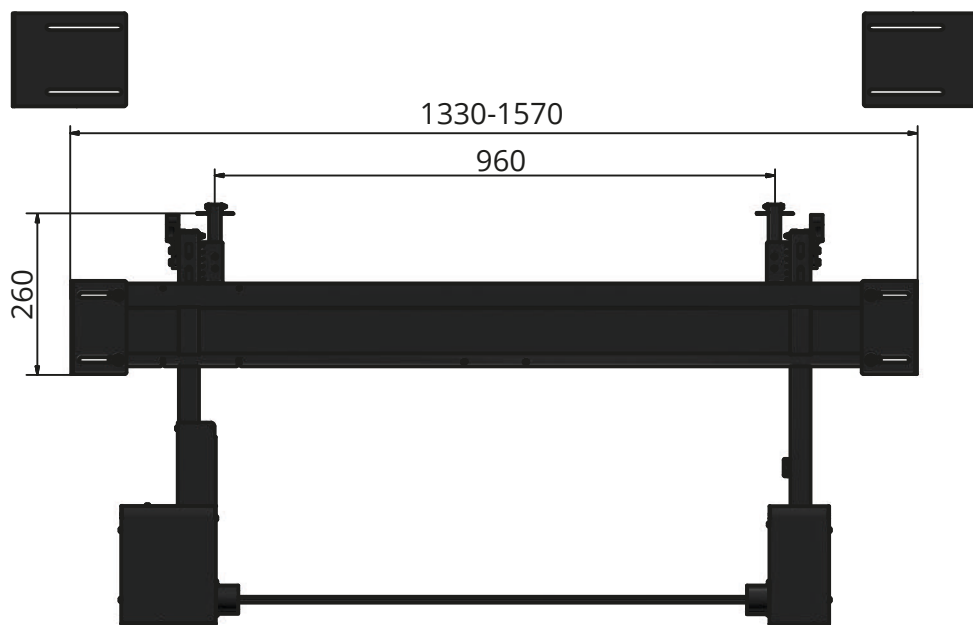


Max lid weight  
5 kg / 11 lb

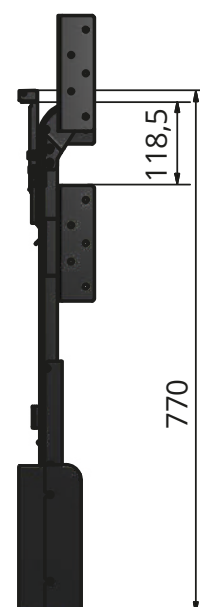


5 year  
warranty

Front view



Side view



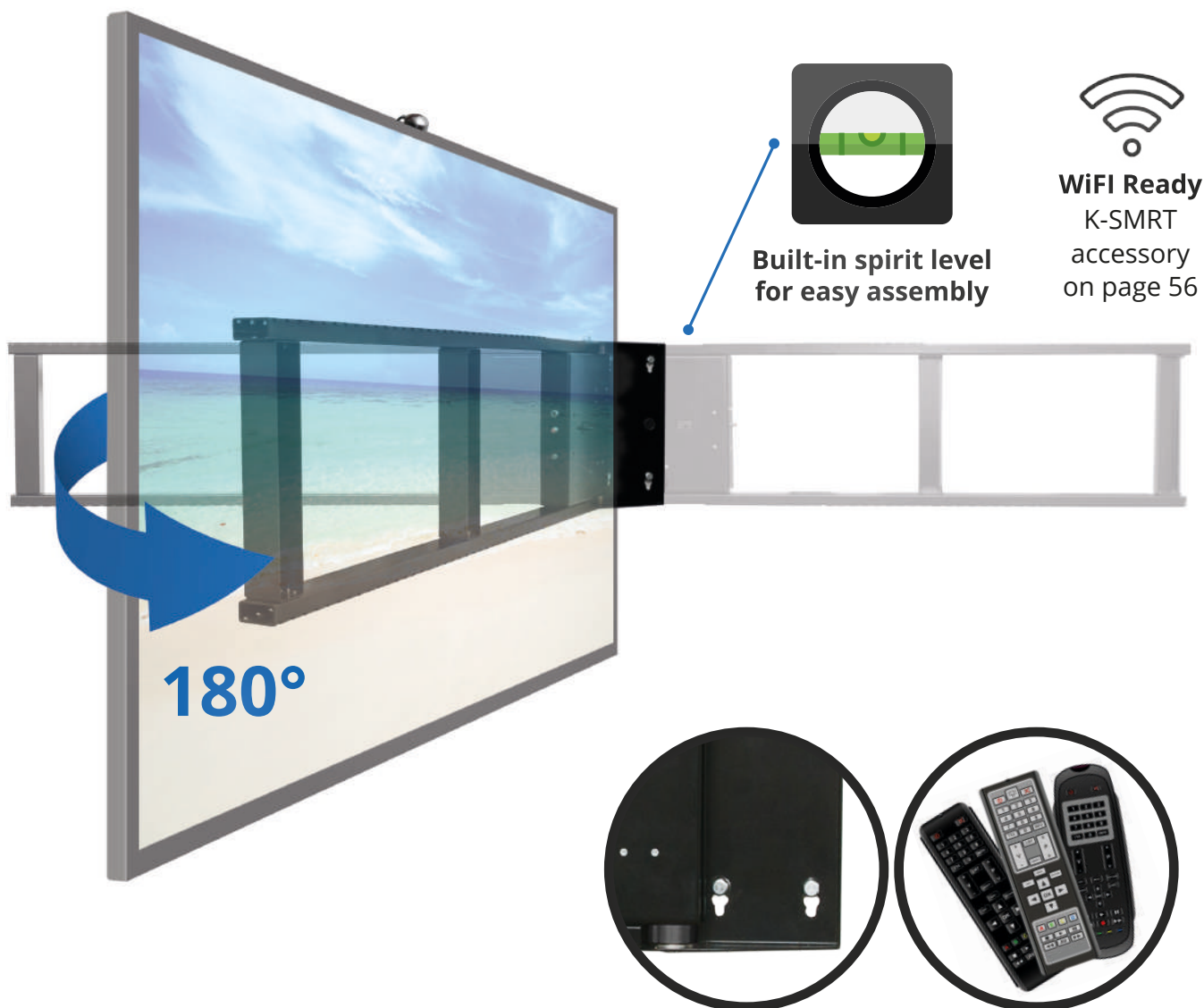
Compatible accessories on pages 56 - 57



Specification	
	<b>AutoLid</b>
<b>opening angle</b>	90 °
<b>max lid weight</b>	5 kg / 11 lb
<b>furniture width (adjustment)</b>	1330-1570 mm
<b>min. furniture height</b>	870 mm / 34"
<b>lifting speed</b>	4 cm/s
<b>power consumption</b>	12W (from control box)
<b>power supply</b>	24V (from control box)

Find out more on: [rtv.sabaj.pl](http://rtv.sabaj.pl)





## Comfort from every angle

\*Compatible with most TV remotes

The Swing Mount is a motorized TV mount, with swinging ability to 180 Degrees. This unit is equipped with IR - Multicode system - which means it can be operated with basically any TV remote. You can program up to 3 favorite angles, to which the mount can be adjusted easily. Elegant and durable design allows hanging even the biggest TVs. Thanks to the unique safety system you don't have to worry about your screen hitting anything, or knocking over any obstacle that might get in the way. Precise angle measurement allows the motor to place the TV right where you want it, many times in a row.



Universal  
IR receiver



Easy angle  
adjustment



Active  
RJ-45 socket



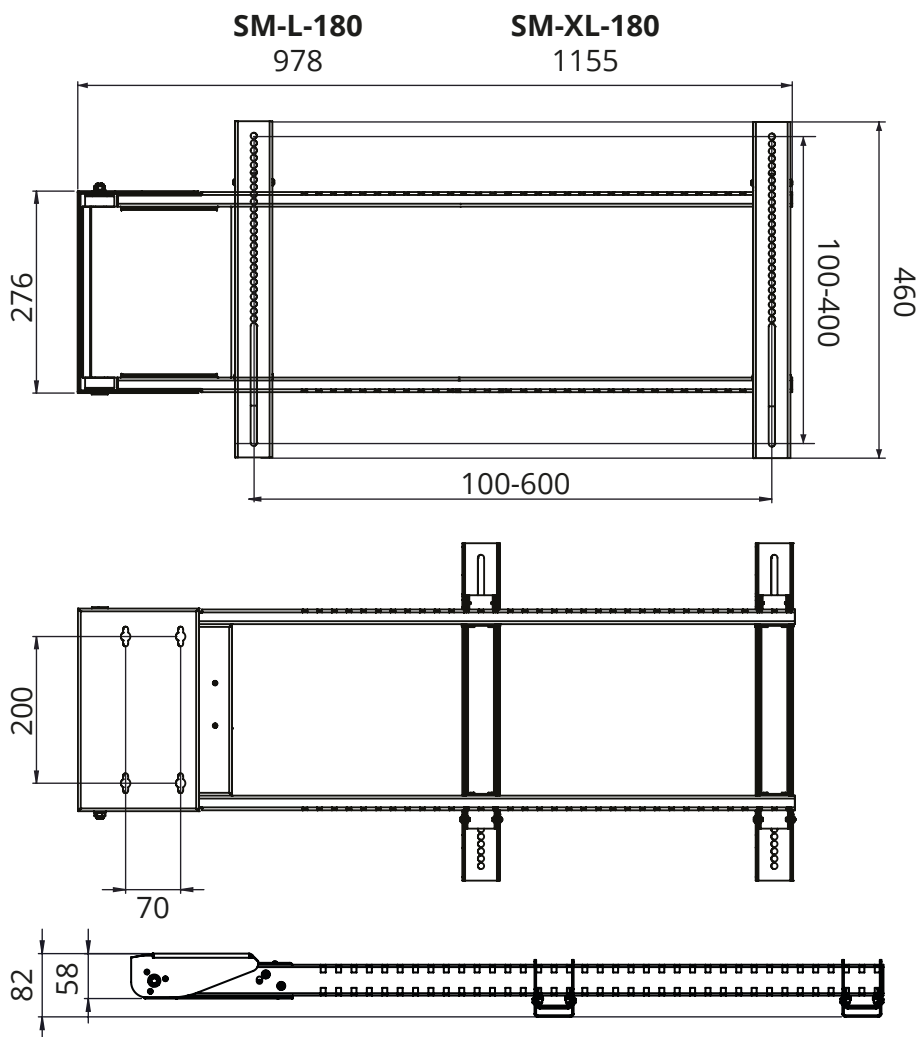
Safety  
systems



Tilt  
adjustment



5 year  
warranty



Manual tilt adjustment



$\pm 7^\circ$



IR receiver

Compatible accessories on pages 56 - 57



## Specification

	SM-L-180	SM-XL-180
<b>lifting capacity</b>	30 kg / 65 lb	40 kg / 88 lb
<b>angle of rotation</b>	$\pm 180^\circ$	$\pm 180^\circ$
<b>rotation speed</b>	2°/s	2°/s
<b>max. VESA</b>	600x400	600x400
<b>max. TV size</b> (Depends on the TV width and VESA standard)	65"	75"
<b>power consumption</b>	3,5W	
<b>power supply</b>	115V/230V	
<b>safety system</b>	clutch	

Find out more on: [rtv.sabaj.pl](http://rtv.sabaj.pl)

# MobiLift Series









## Full mobility & comfort

Mobilift eco is the best solution for conference rooms, schools and other educational institutions. Electric motor enables 650 mm of height adjustment. 80 kg lifting power allows using screens up to 80". Dedicated accessories fit both MOBILIFT series.



RF remote control included



Easy stroke adjustment



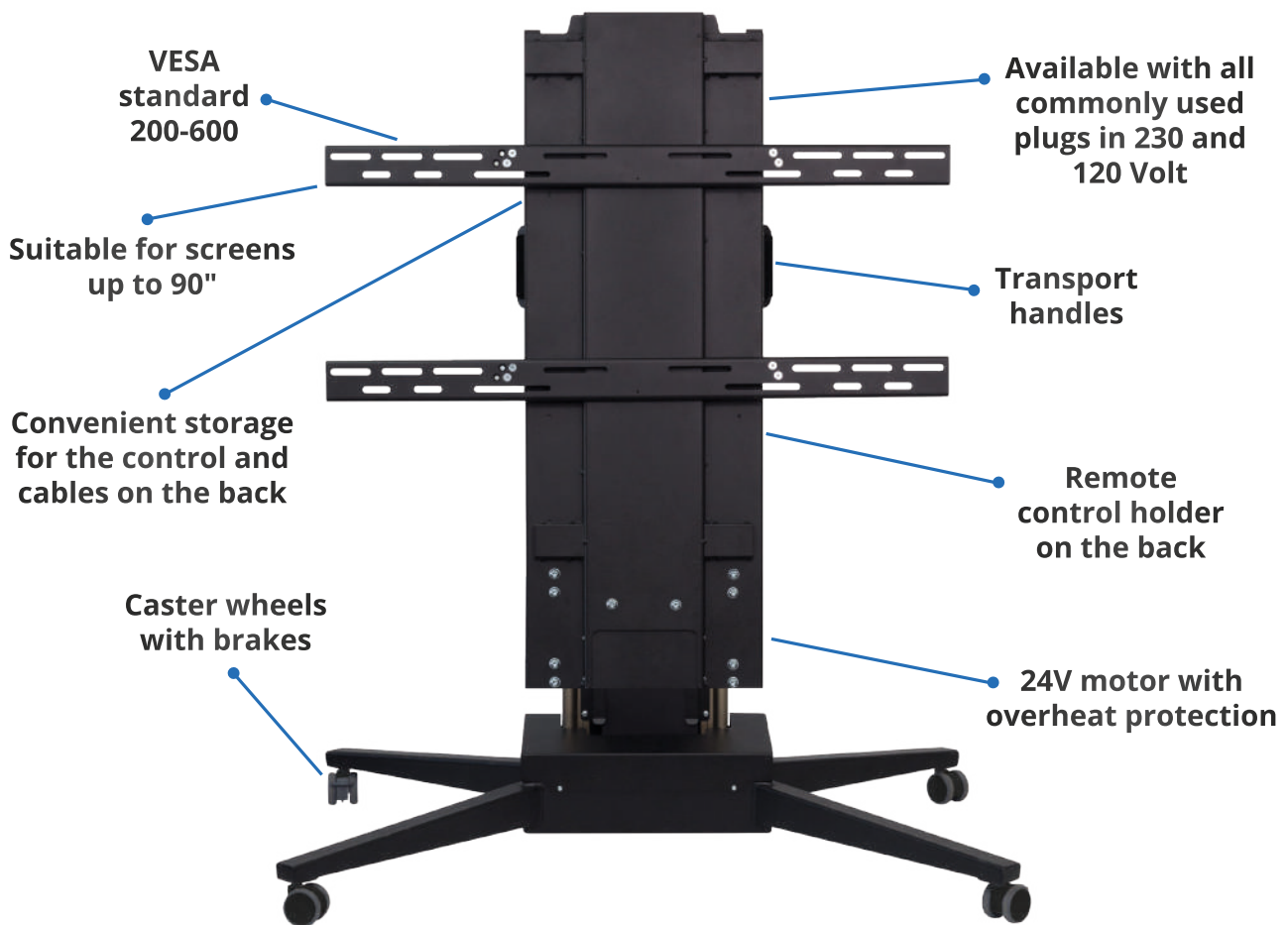
Active RJ-45 socket



Lockable wheels



5 year warranty



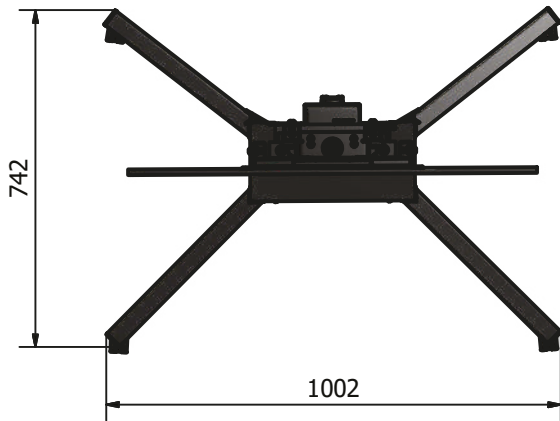
Lots of compatible accessories on pages 37 - 39



## Specification

	MobiLift ECO 650
lifting capacity	80 kg / 176 lb
lifting height	650 mm / 25"
max. VESA	800x800
lifting speed	20 mm/s
power consumption	100W
power supply	115V/230V

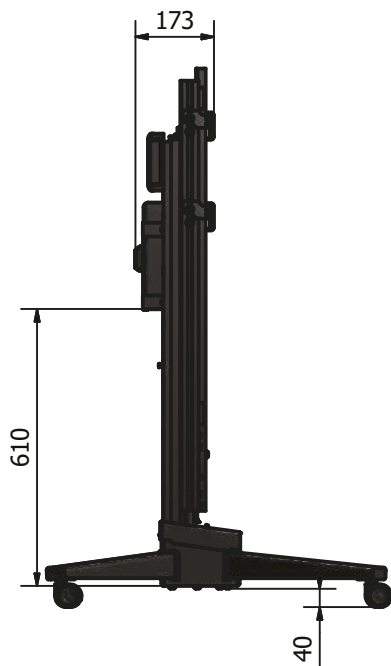
Top view



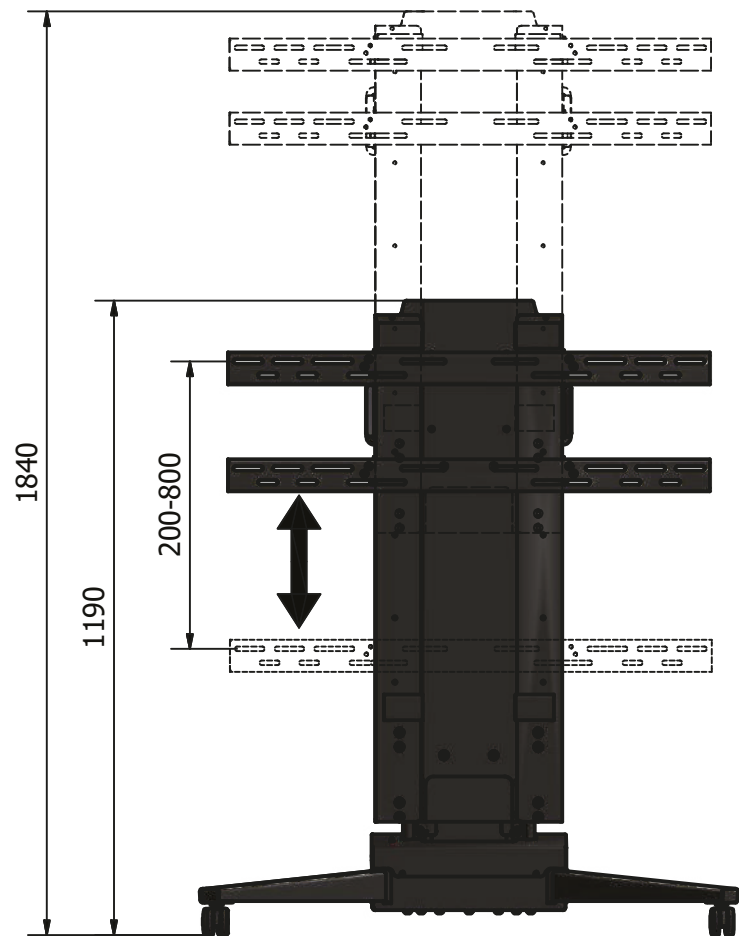
Convenient storage for the controller and cables



Remote control holder



Side view



Front view





**WiFi Ready**  
K-SMRT  
accessory  
on page 56



Available colours:  



## Full mobility & comfort

The premium version of our mobile display stand with a 500 mm height adjustment. Mobilift Premium can lift screens as heavy as 150 kg . Its elegant design can fit anywhere. Dedicated accessories fit both MOBILIFT series.



**RF remote control included**



**Active RJ-45 socket**



**Lockable wheels**



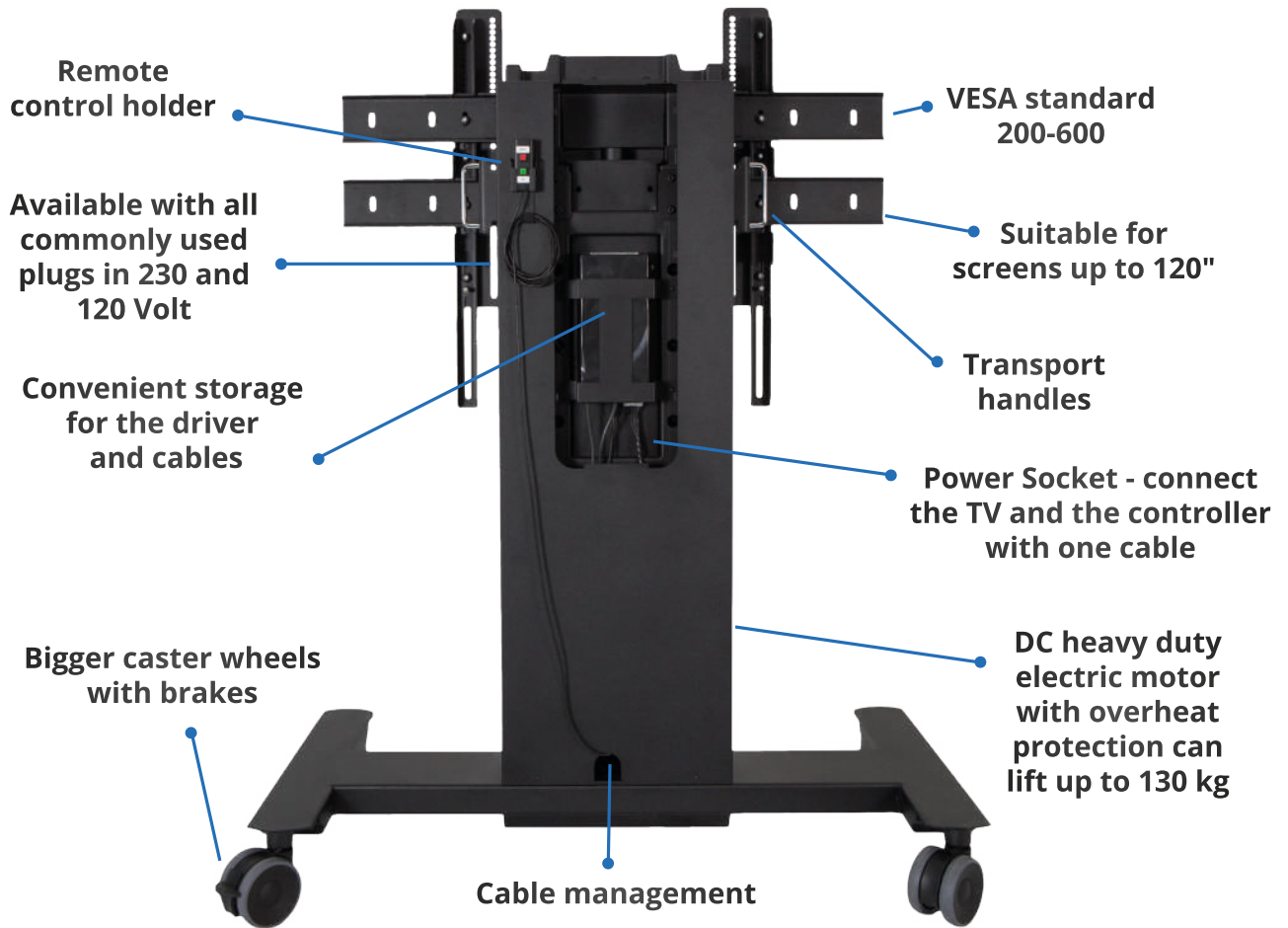
**Safety systems**



**Cable guide**



**5 year warranty**



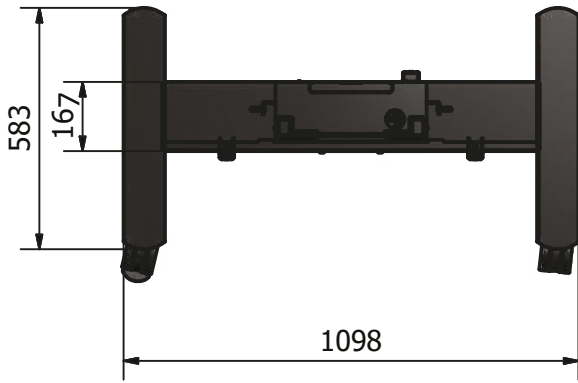
Lots of compatible accessories on pages 37 - 39



## Specification

	MobiLift PREMIUM 500
lifting capacity	130 kg / 286 lb
lifting height	500 mm / 20"
max. VESA	900x600
lifting speed	20 mm/s
power consumption	100W
power supply	115V/230V

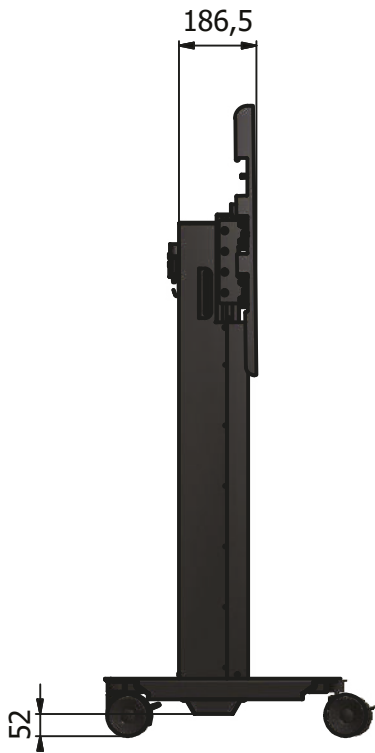
Top view



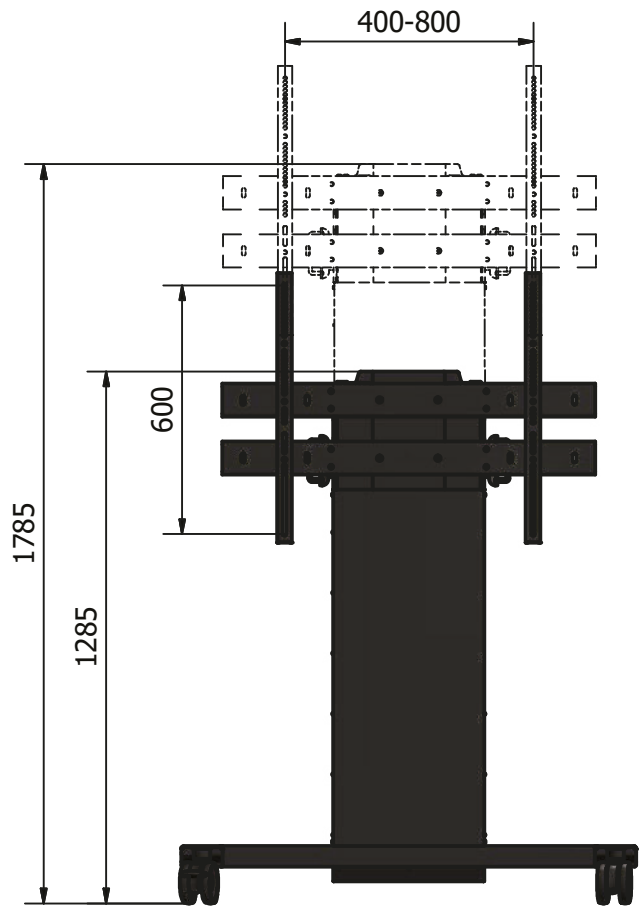
Convenient storage for the controller and cables



Remote control holder



Side view



Front view

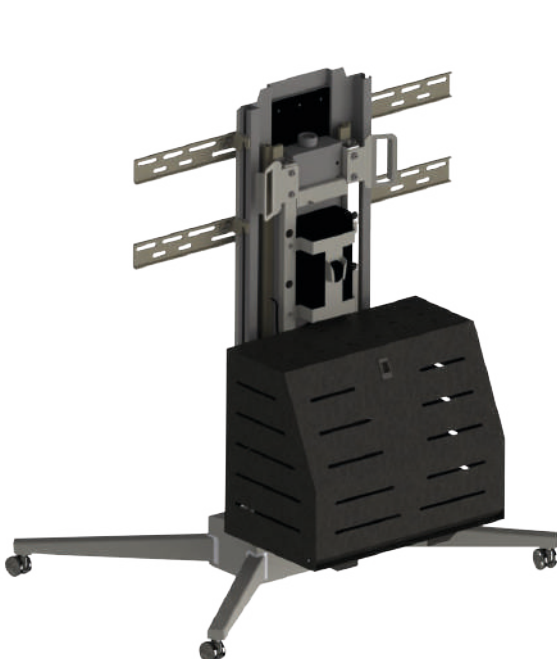
## Customize your Mobilift

You can add a wide variety of accessories: interactive whiteboard with projector mount set or PC enclosure. Try it and make your multimedia set as functional as possible. All the accessories fit both Mobilift Premium and Mobilift Eco.



**Interactive whiteboard + projector mount set | Product ID: MBL -SHRT-100**

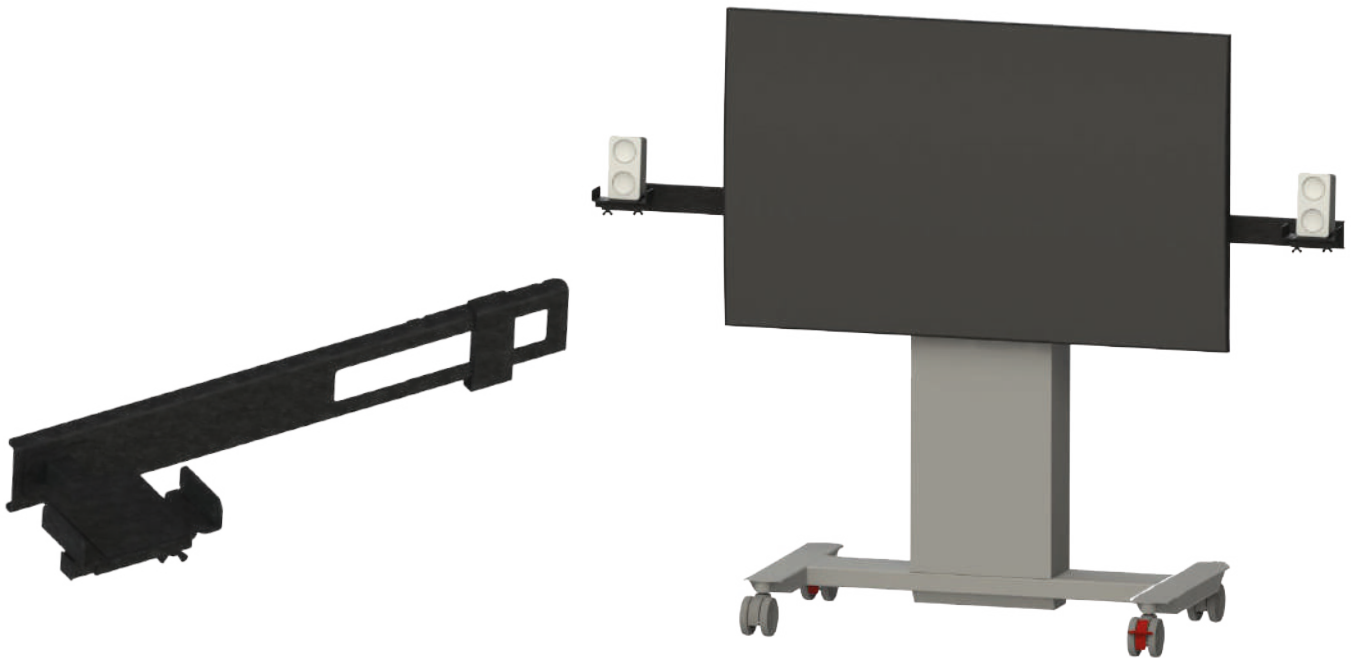
---



**PC enclosure for Mobilift | Product ID: MBL-PCBOX**

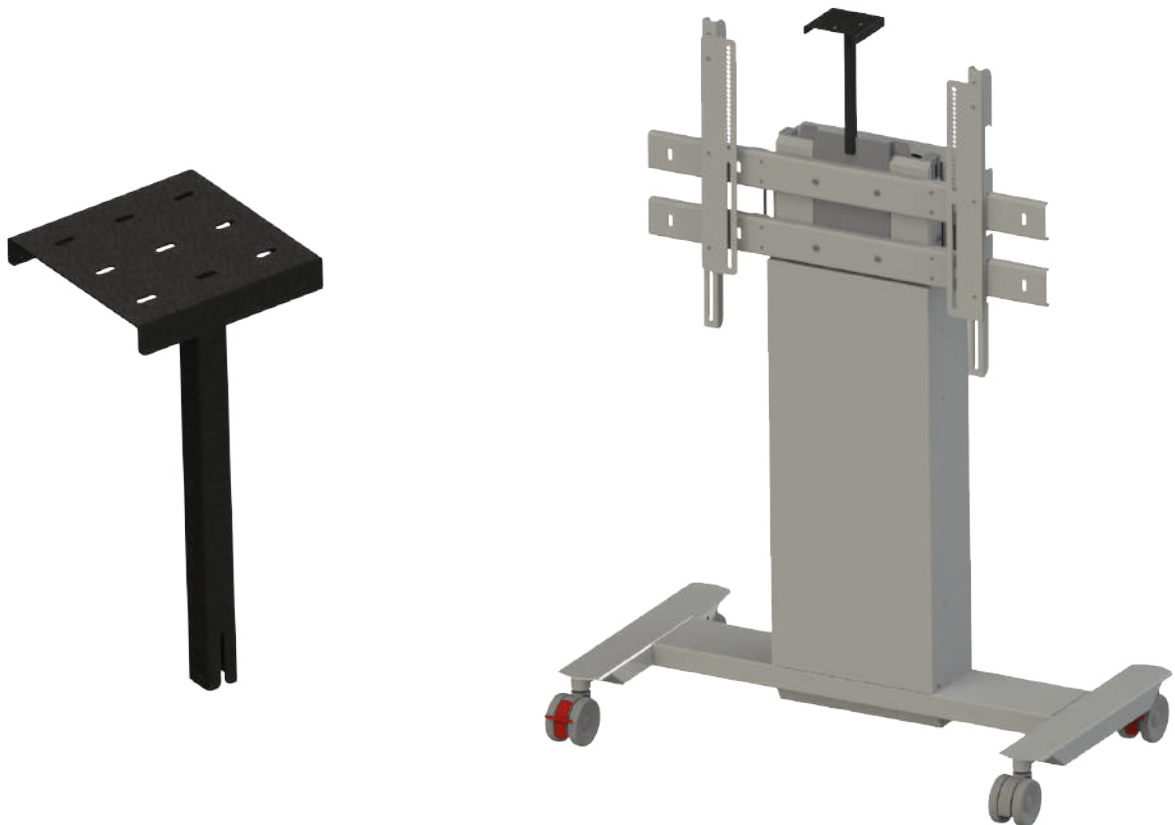
---





Speaker mount set for Mobilift | Product ID: UG-M

---



Camera shelf for Mobilift | Product ID: MBL-CAM

---



**Hinged whiteboard set forMobilift | Product ID: MBL-HNG**

---



**Foot control unit | Product ID: MBL-FTC**

---



## Smooth glass look

Manually operated Table Stand with universal TV mount. The unit can swivel the screen +/- 45 degrees. Universal TV mount covers VESA standards from 100x100 to 600x700 and everything in between. Grommet in the back allows easy cable management. Strong enough for both new and older - heavier screens up to 55 kg. Painted in exclusive black powder paint Covers TVs from 35 to 75". The exclusive look of the tempered glass and smooth black powder paint. Additional expanders are available for mounting the screen higher.



Manually controlled



Easy angle adjustment



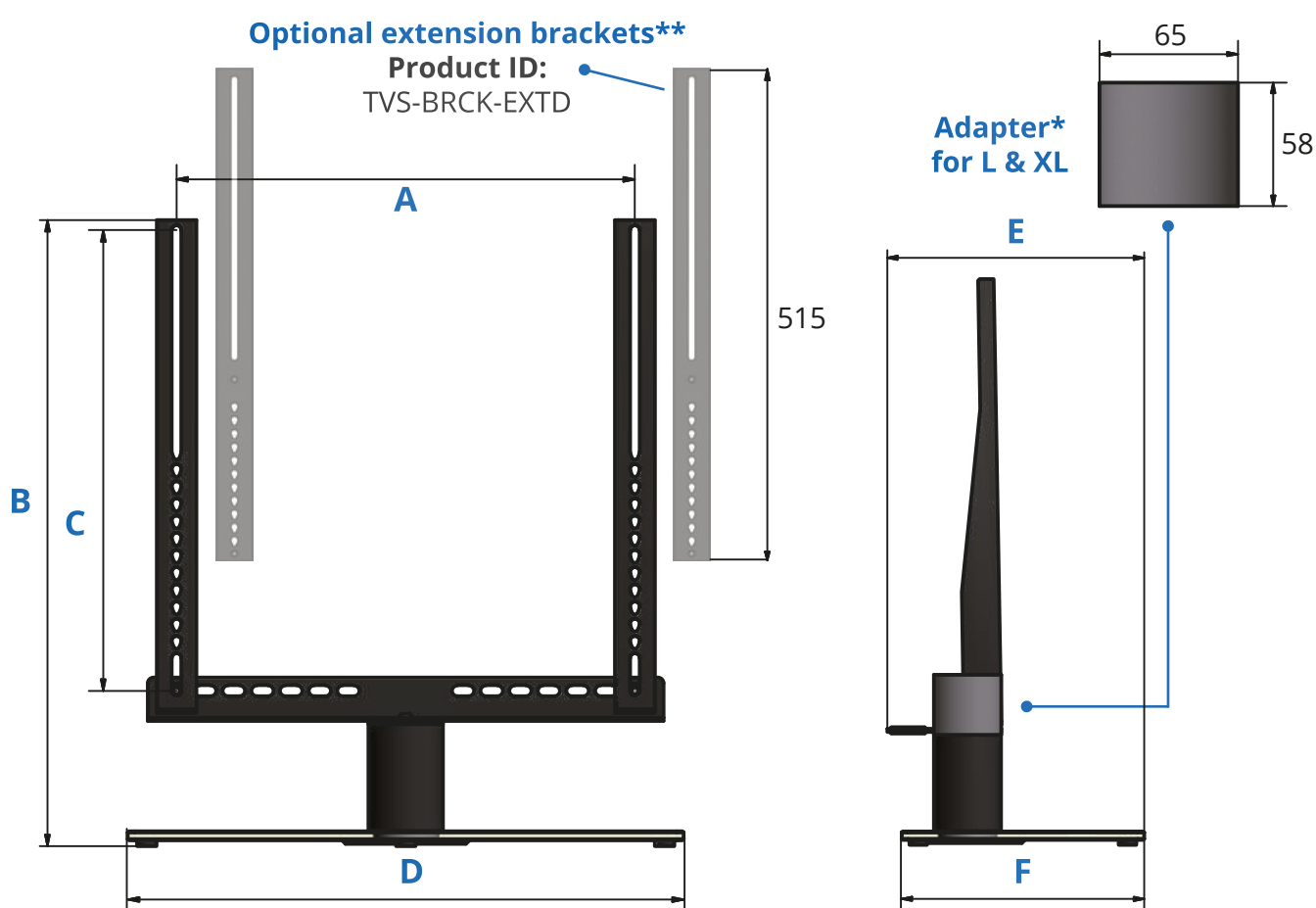
Cable guide



5 year warranty

## Specification

	TV-Stand M NM	TV-Stand L NM	TV-Stand XL NM
<b>weight</b>	8 kg / 17 lb	9 kg / 20 lb	10 kg / 22 lb
<b>height</b>	54,5 cm / 21"	60,4 cm / 24"	60,4 cm / 24"
<b>max. VESA</b>	400x400	600x700	600x700
<b>angle of rotation</b>	+/- 30°		



## Dimensions [mm]

	TV-Stand M NM	TV-Stand L NM	TV-Stand XL NM
<b>A</b>	100-400	100-600	100-600
<b>B</b>	545	545 (605*)	545 (605*)
<b>C</b>	100-400	100-400 (700**)	100-400 (700**)
<b>D</b>	485	545	645
<b>E</b>	248	278	348
<b>F</b>	234	294	394





## Smooth glass look

Electric Table Stand with universal TV mount. The electric motor can swivel the screen +/- 45 degrees. A patented safety clutch system will prevent damage of any obstacles as well as the electric motor. IR Multicode control - you can use any TV remote - through the simple process of learning the stand, it will acknowledge the buttons of your remote as commands for rotating left / right or to the center position. Universal TV mount covers VESA standards from 100x100 to 600x700 and everything in between. Grommet in the back allows easy cable management. 5 Year warranty - at least 80 thousand cycles for screens up to 55 kg. Painted in exclusive black powder paint Covers TVs from 35 to 75". The exclusive look of the tempered glass and smooth black powder paint.



Universal IR  
multicode receiver



Easy angle  
adjustment



Safety  
systems



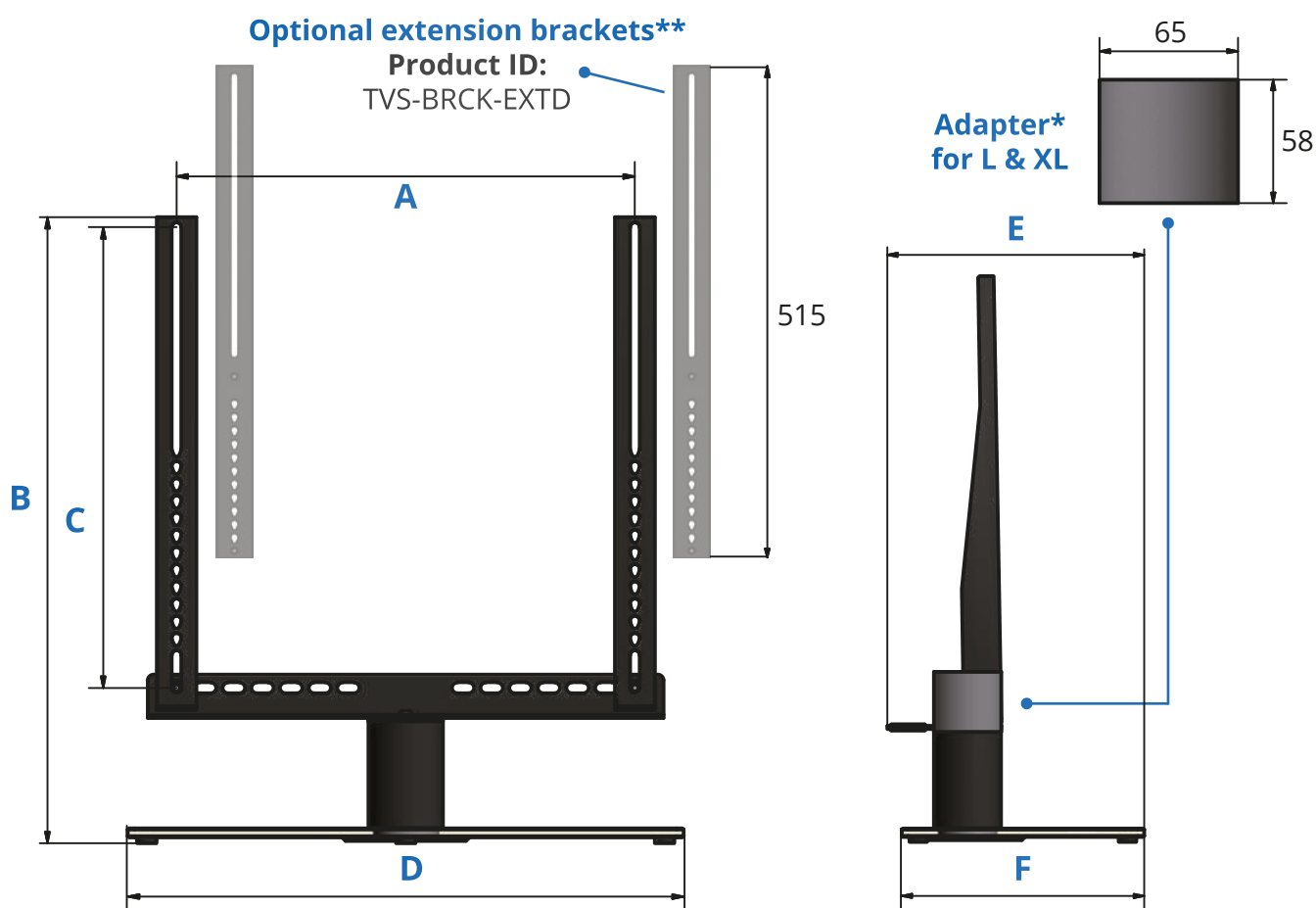
Cable  
guide



5 year  
warranty

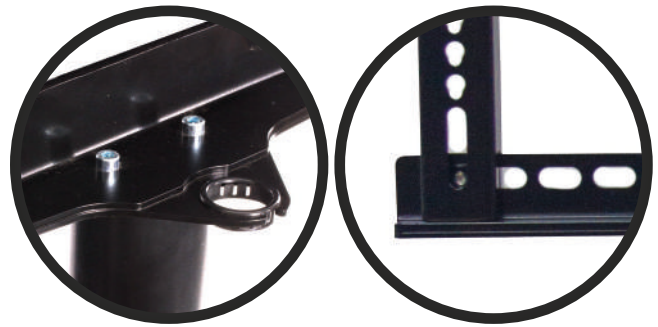
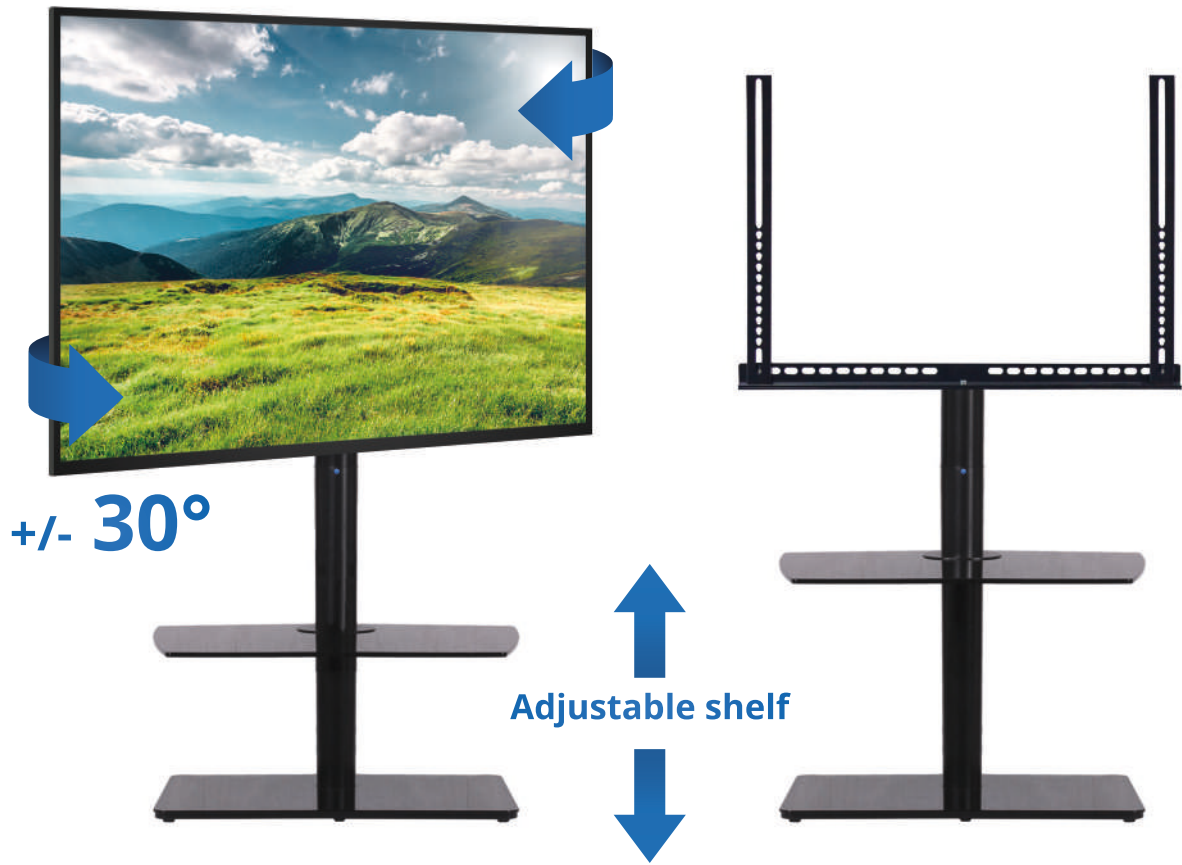
## Specification

	TV-Stand IR M	TV-Stand IR L	TV-Stand IR XL
<b>weight</b>	8 kg / 17 lb	9 kg / 20 lb	10 kg / 22 lb
<b>height</b>	54,5 cm / 21"	60,4 cm / 24"	60,4 cm / 24"
<b>max. VESA</b>	400x400	600x700	600x700
<b>angle of rotation</b>	+/- 30°		



## Dimensions [mm]

	TV-Stand IR M	TV-Stand IR L	TV-Stand IR XL
<b>A</b>	100-400	100-600	100-600
<b>B</b>	545	545 (605*)	545 (605*)
<b>C</b>	100-400	100-400 (700**)	100-400 (700**)
<b>D</b>	485	545	645
<b>E</b>	248	278	348
<b>F</b>	234	294	394



## Smooth glass look

Floor Stand with 30-degree rotation - Ir Remote operated. Exclusive plain black + glass design. Additional equipment shelf. Thick steel base allows mounting screens as big as 70" without risk of tipping over.



Universal IR multicode receiver



Easy angle adjustment



Safety systems



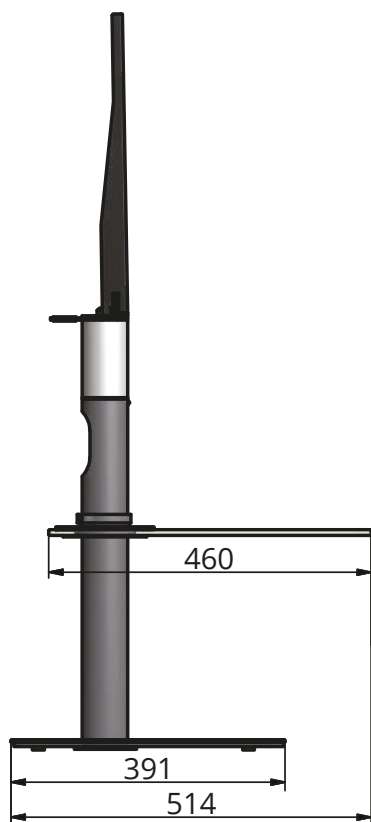
Cable guide



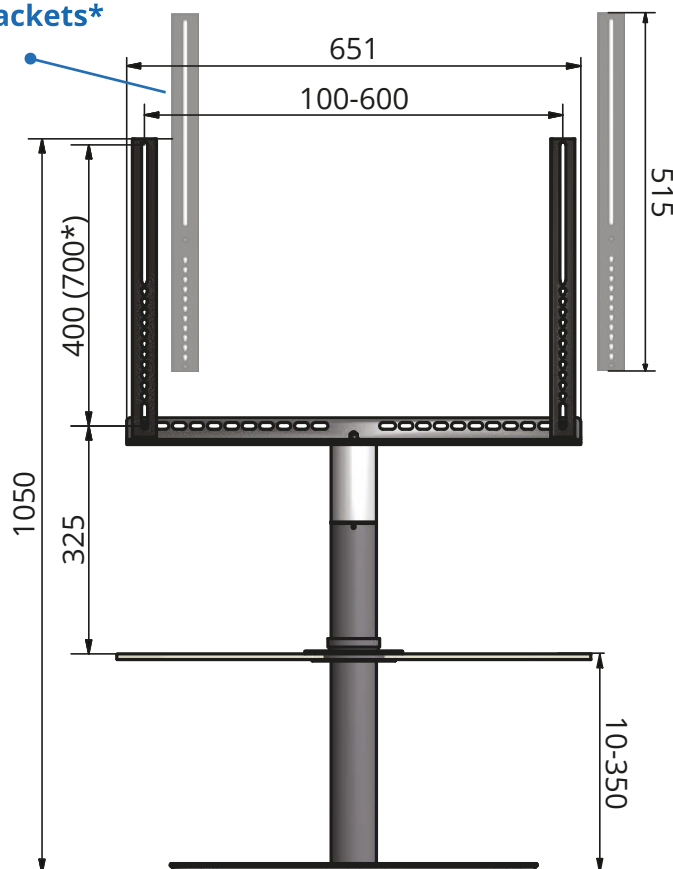
5 year warranty

Optional extension brackets\*

Product ID:  
TVS-BRCK-EXTD

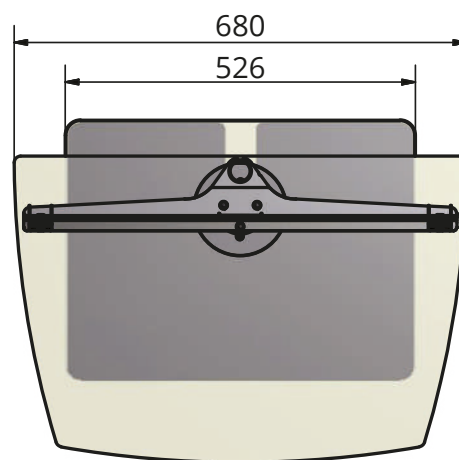


Side view



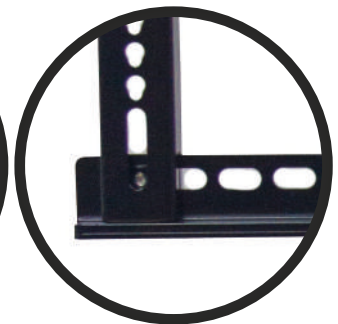
Front view

Specification	
	F-Stand IR
weight capacity	20 kg / 44 lb
height	1000 mm / 40"
max. VESA	600x700
TV sizes	40" to 70"
mounting type	U-Mount
rotation speed	1.5 rpm
angle of rotation	+/- 30°
safety system	torque limiter
power consumption	3,5W
power supply	115V/230V



Top view





## Modern and comfortable

This rotating TV screen stand can be mounted inside the furniture through a 67 mm hole. RF Operated electric motor can swivel the screen +/- 340 degrees. A patented safety clutch System will prevent damage to any obstacles as well as the electric motor. Grommet in the back and hole inside the tube allows easy cable management to inside or outside the furniture. Universal TV mount covers VESA standards from 100x100 to 600x400 and everything in between. 5 Year warranty - at least 80 thousand cycles for screens up to 55 kg. Painted in exclusive black powder paint.



RF remote control included



Easy angle adjustment



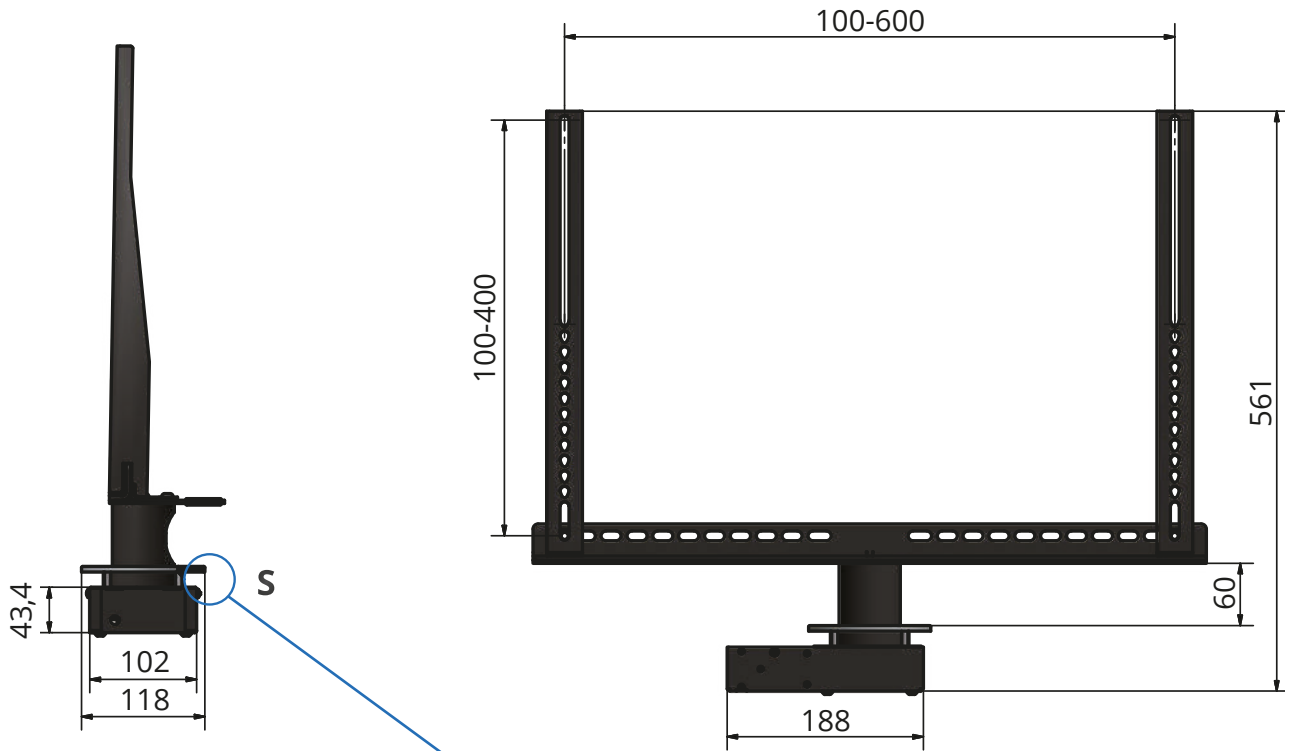
Safety systems



Cable guide

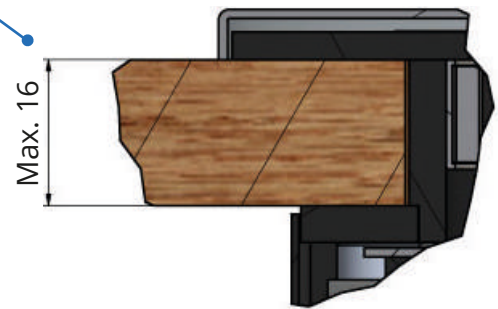


5 year warranty

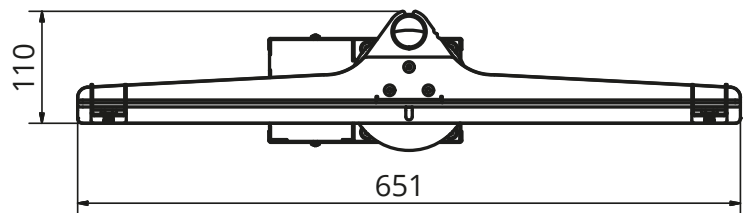


Side view

Front view



S (2:1)



Top view

Specification	
	<b>In-Stand 340</b>
<b>weight capacity</b>	55 kg / 121 lb
<b>height</b>	500 mm / 20"
<b>max. VESA</b>	600x400
<b>TV sizes</b>	40" to 70"
<b>mounting type</b>	U-Mount
<b>rotation speed</b>	1.5 rpm
<b>angle of rotation</b>	+/- 340°
<b>safety system</b>	clutch
<b>power consumption</b>	3,5W
<b>power supply</b>	115V/230V

  
**WiFi Ready**  
K-SMRT  
accessory  
on page 56



## Universal Projector Lift

Ceiling mounted projector lift. Slim design - requires only 105 mm + projector, to be hidden. The Premium control box allows setting both top and low positions. The maximum lowering distance of 560 mm. Active RJ-45 Port allows using all the SABAJ accessories with this unit. RF Operated with remote attached - RF signal can easily go through plywood or plaster-cardboard construction, eliminating the necessity of wiring antennas or receivers outside. Easy cable management with plastic chain cable carrier - to keep everything tidy and secure. Soft start and soft stop function keep the mechanism working for even longer. The device is mechanically secured from falling down. Designed to fit in most popular standard suspended ceiling (60x60 cm), yet can carry much bigger projectors than its own size - max capacity of 20 kgs.



**RF remote control included**



**Easy stroke adjustment**



**Active RJ-45 socket**



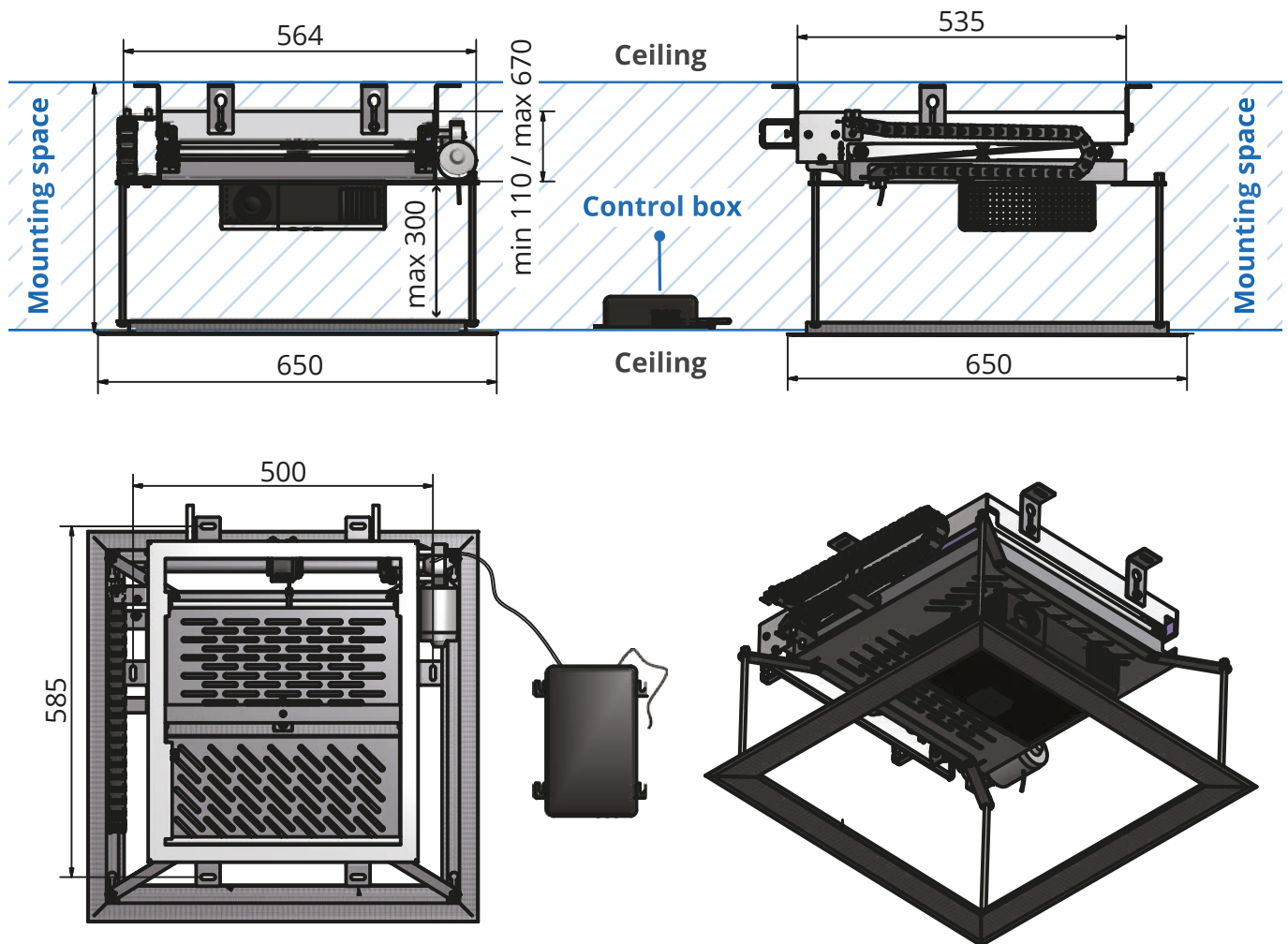
**Safety systems**



**Cable guide**



**5 year warranty**



## Specification

	WP-560
lifting capacity	20 kg / 44 lb
max. stroke	560 mm / 22"
lifting speed	50 mm / s
weight	15 kg / 46 lb
power consumption	80W
power supply	115V/230V
safety system	mechanical fall down protection, motor overload protection





## Compact solutions for smaller screens

The M Series is a Cartridge-type lift, which can be mounted very easily in any furniture. It requires only a rectangle hole in which you need to mount the lift - and that's about it. Button operated, has an active RJ-45 Port for all the Sabaj Accessories. Perfect for lifting PC screens and smaller TVs. Conference rooms most favourite - possibility to set a one-triggers-all manner, so you can place unlimited numbers of those in a line. Can also be used in kitchens, living rooms and offices. Anywhere you might need hiding your screen and having a flat table. Equipped in the most popular small-screen VESA mounts - from 50x50 up to 200x200.



Serial connection  
compatible



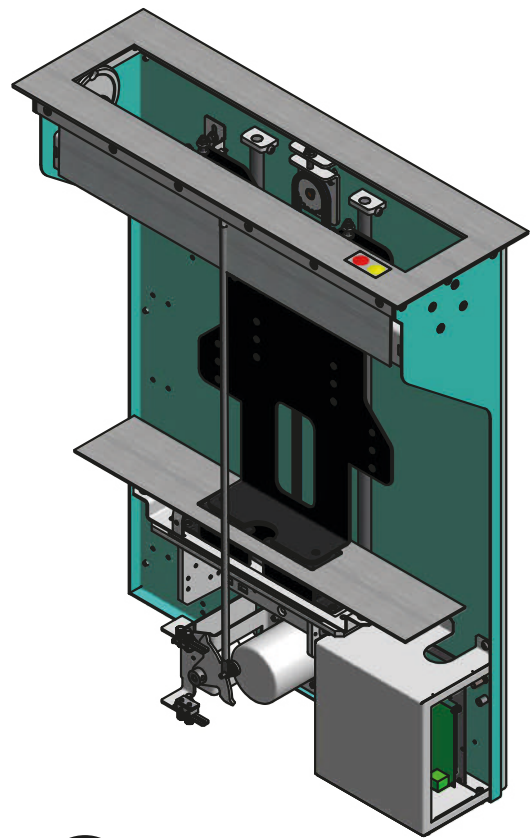
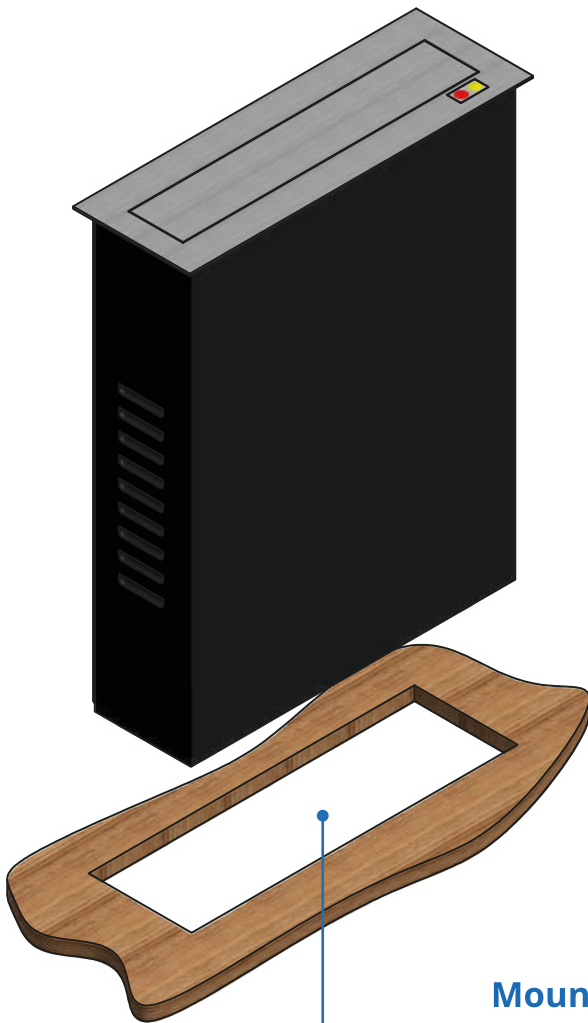
Active  
RJ-45 socket



HDMI  
port

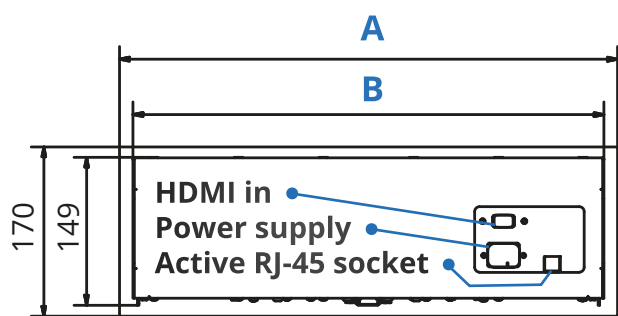


5 year  
warranty

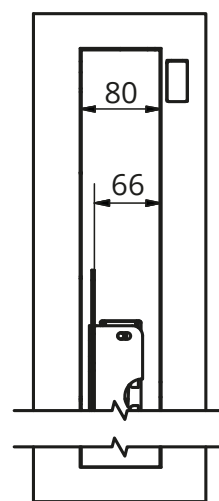


Mounting hole depending on the model

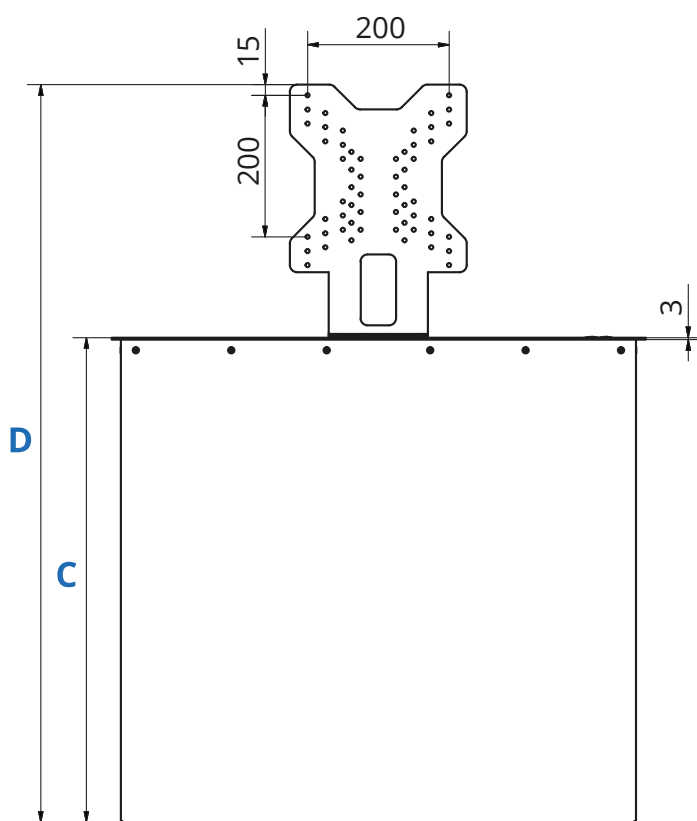
Specification			
	M-2 Eco	M-3 Eco	M-4 Eco
lifting capacity	10 kg / 22 lb		
lifting height	410 mm / 16"	460 mm / 18"	460mm / 18"
lifting speed	15 s full extend		
max. VESA	200x200		
max screen size	420x380x70 mm	545x420x70 mm	680x420x70 mm
mounting hole	475x150 mm	595x150 mm	730x150 mm
screen connections	230V power supply, HDMI		
power consumption	9,6W		
power supply	230V		
finish	INOX / BLACK		



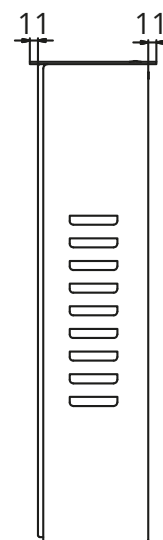
Bottom view



Top view



Front view



Side view

## Dimensions [mm]

	M-2 Eco	M-3 Eco	M-4 Eco
A	500	620	755
B	473	593	728
C	632	682	682
D	1082	1182	1182



White



Black



## Exclusivity & convenience

Set of exclusive furniture and our most popular K-Eco series. An easy picture-based manual helps setting up the set in less than 30 minutes. Accessories shelf and easy access to the lift and screen - thanks to the removable cover. Available in black and white. Comes in 3 boxes for self-assembly.



RF remote control included

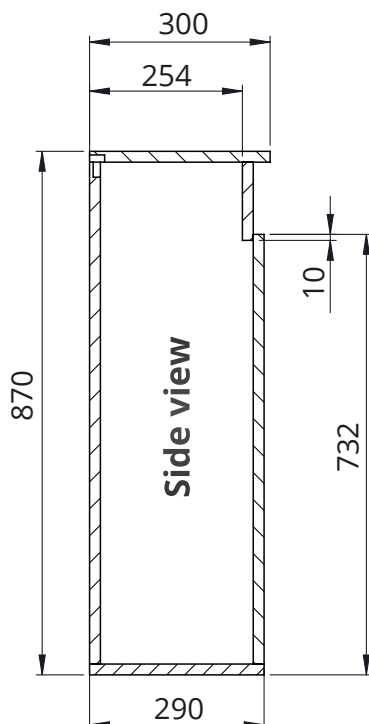
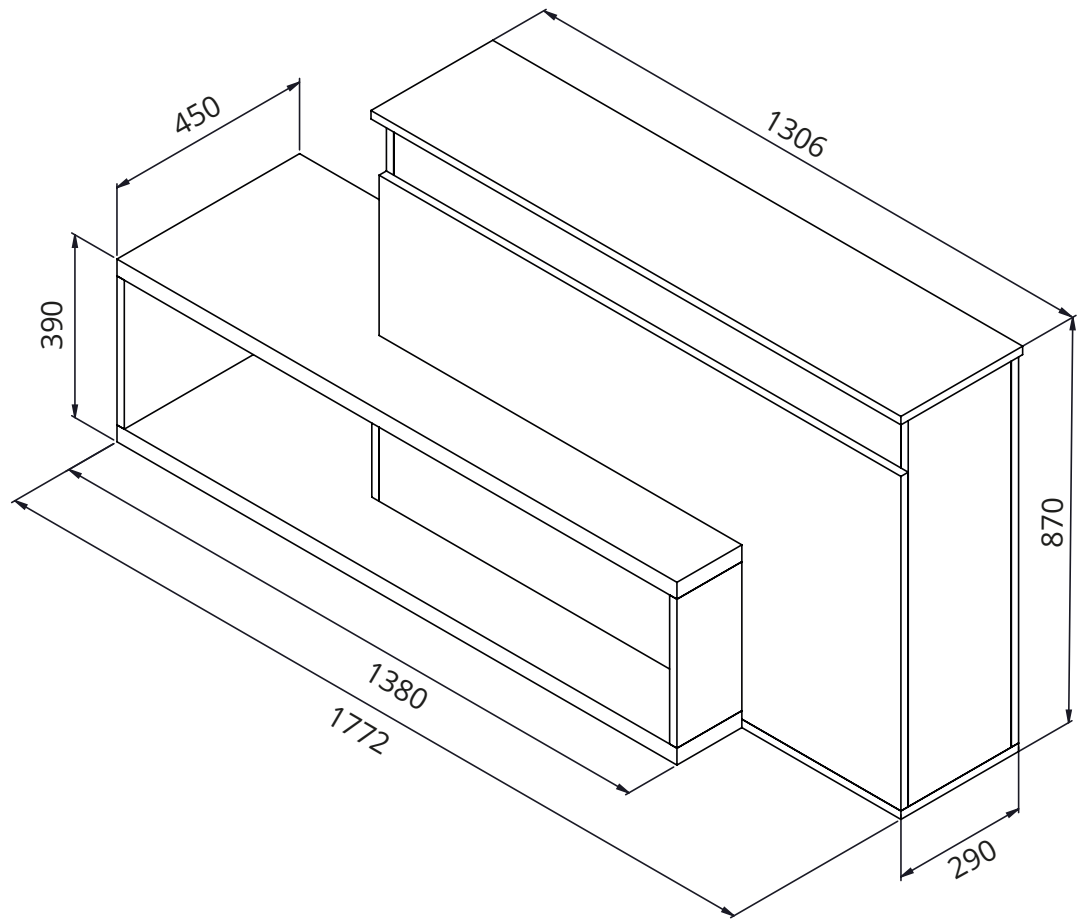
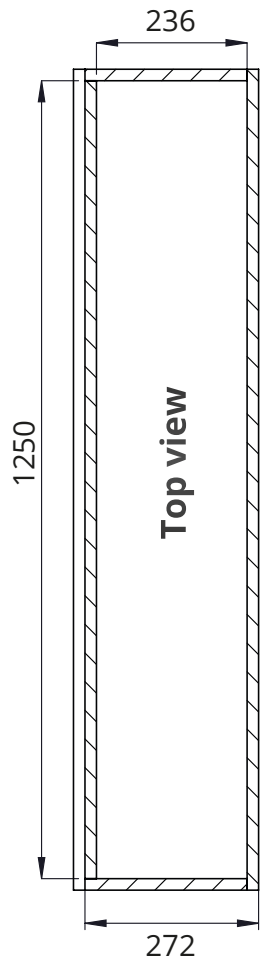


Easy stroke adjustment



5 year warranty





Specification	
	<b>FRN</b>
<b>lifting capacity</b>	50 kg / 110 lb
<b>lifting height</b>	840 mm / 33"
<b>lifting speed</b>	20 mm/s
<b>max. VESA</b>	600x600
<b>power consumption</b>	80W
<b>power supply</b>	115V/230V
<b>safety system</b>	motor overheat
<b>cabinet colour</b>	white / black
<b>product codes</b>	FRN-K2ECOCH-WHT-EU - white
	FRN-K2ECOCH-BLK-EU - black



**Accessories**

# Accessories



## RF Remote

Radiofrequency controlled remote for all types of SABA TV Lifts and TV stands.

**Product ID:** RF-REMOTE-4W

**Product ID:** RF-REMOTE-2W



## 2 and 4 way operating buttons

Works with any lift containing active RJ-45 socket. Cord length: 3m

**Product ID:** K-BTN-2 WAY

**Product ID:** K-BTN-4 WAY



## Wire with terminals controller

Works with any lift containing active RJ-45 socket, operated with external relays, switches etc. Cord length: 3m

**Product ID:** K-PLC



## RF Remote Demo

230V plug-in RF remote gives RF signal within pre-set intervals. Perfect for showrooms and fairs.

**Product ID:** RF-DEMO-2CH



## Smartphone control module for Android / iOS

This module allows controlling all of our compatible products with your smartphone. If your product is equipped with an Active RJ-45 port, then you're good to go. Just download a wBox app, connect through Wi-Fi network with K-SMRT - and that's it! This unit can also be paired with any other wBox devices as part of a smart-home installation.

**Product ID:** K-SMRT



## Infra-RED receiver

Additional IR sensor to control IR series. Works with any lift containing an active RJ-45 socket. Cord length: 3m

**Product ID:** IR-EYE

## Splitter socket for RJ-45 connections

Allows using more than one accessory with Active RJ45 control box.

**Product ID:** RJ-SPLITTER



## IR Repeater for IR lifts

Allows using up to 3 IR-operated devices. If you wish to hide all the electrical appliances inside the furniture - this will be necessary to send the IR signal through. Works with any IR-Operated Sabaj Products. Just place one IR-receiver outside the furniture, and route the cables inside to your devices.

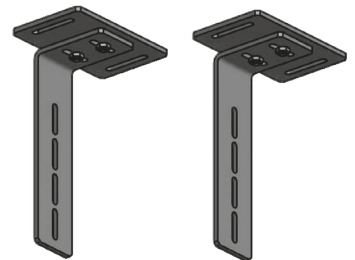
**Product ID:** IR-EXTD



## LID bracket set for K-series lifts

Bracket set for mounting the lid directly to the lift, instead of using the hinged lid. Works with all Sabaj lifts.

**Product ID:** LID BRACKET



## Wall mounting bracket for A-2 lift

Allows comfortable installation of the A-type lift on the wall.

**Product ID:** A-WALLMOUNT



## K-series extender bracket for low VESA mount screen (pair)

Extender for Low VESA mounted TV's, like most OLED and QLED screens, where mounts are not in the central position of the TV, but closer to the lower edge. Fits all Sabaj TV Lifts.

**Product ID:** K-BRCK-EXTD



## Extension kit for TV-Stands Black - set

Additional brackets for larger TVs - used for T-Stand, F-Stand and all of its variations.

**Product ID:** TVS-BRCK-EXTD





# Shipping weight

Product name	Shipping weight	Package dimensions
<b>K-1 ECO</b>	12 kg / 26 lb	74x28x10 cm
<b>K-2 ECO</b>	16 kg / 35 lbs	85x28x10 cm
<b>K-1 PREMIUM</b>	22 kg / 48 lb	74x34x14 cm
<b>K-2 PREMIUM</b>	24 kg / 53 lb	85x34x14 cm
<b>K-3 PREMIUM</b>	28 kg / 62 lb	92x34x14 cm
<b>K-5 PREMIUM</b>	31 kg / 68 lb	113x34x14 cm
<b>A-2</b>	35 kg / 77 lb	104x42x16 cm
<b>K-2 DOWN</b>	38 kg / 83 lb	104x42x16 cm
<b>K-1 ROTOLIFT</b>	25 kg / 55 lb	85x28x10 cm
<b>K-2 ROTOLIFT</b>	27 kg / 59 lb	85x28x10 cm
<b>K-3 ROTOLIFT</b>	31 kg / 68 lb	92x34x14 cm
<b>AUTOLID</b>	10 kg / 22 lb	140x100x20 cm - pallet
<b>MOBILIFT ECO</b>	60 kg / 132 lb	118x43x20 & 105x80x20 cm
<b>MOBILIFT PREMIUM</b>	90 kg / 198 lb	120x80x145 cm - pallet
<b>TV-STAND M</b>	8 kg / 13 lb	60x33x15 cm
<b>TV-STAND L</b>	9 kg / 13 lb	65x39x15 cm
<b>TV-STAND XL</b>	10 kg / 13 lb	76x50x11 cm
<b>F-STAND</b>	29 kg / 64 lb	64x43x13 cm
<b>IN-STAND</b>	6 kg / 13 lb	70x20x10 cm
<b>SM-L-180</b>	13 kg / 31 lb	105x40x10 cm
<b>WP-560</b>	15 kg / 33 lb	72x52x16 cm
<b>M-2 ECO</b>	21 kg / 46 lb	70x55x20 cm
<b>M-3 ECO</b>	22 kg / 49 lb	75x70x20 cm
<b>M-4 ECO</b>	28 kg / 62 lb	70x75x20 cm
<b>FRN-K2ECOCH</b>	112 kg / 247 lb	144x53x10 & 130x87x10 & 85x28x10 cm

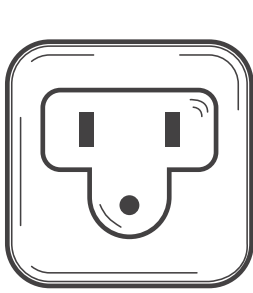
# Product features

Product ID	Type of control	Active RJ-45 socket (for SABAJ accessories)	Weight capacity*	VESA standard*	Power Guard / Power control - connect your TV power directly to the TV Lift	Lifting height*
<b>K-ECO IR</b>	IR	yes	50 kg/110 lb	100-500	no	850 mm/33"
<b>K-ECO RF</b>	RF	no	50 kg/110 lb	100-500	no	850 mm/33"
<b>K-PREMIUM IR</b>	IR	yes	80 kg/176 lb	200-600	yes	1025 mm/43"
<b>K-PREMIUM RF</b>	RF	yes	80 kg/176 lb	200-600	yes	1025 mm/43"
<b>K-ROTOLIFT</b>	RF	yes	60 kg/130 lb	200-600	yes	947 mm/38"
<b>WP</b>	RF	yes	20 kg/44 lb	200-600	no	560 mm/22"
<b>A</b>	RF	yes	100 kg/220 lb	200-600	no	800 mm/32"
<b>K-DOWN</b>	RF	yes	80 kg/176 lb	200-600	no	800 mm/32"
<b>TV STAND NM</b>	Manual	no	55 kg/121 lb	200-600	no	n/a
<b>TV STAND IR</b>	IR	no	20 kg/44 lb	200-600	no	n/a
<b>F-STAND</b>	IR	no	55 kg/121 lb	200-600	no	n/a
<b>IN-STAND</b>	RF	no	55 kg/121 lb	200-600	no	n/a
<b>SWING MOUNT</b>	IR	yes	40 kg/88 lb	200-600	no	n/a
<b>M</b>	RF	yes	10 kg/22 lb	100/200/250	yes	500 mm/19"
<b>MOBILIFT ECO</b>	RF	yes	80 kg/176 lb	200-600	no	650 mm/25"
<b>MOBILIFT PREMIUM</b>	RF	yes	130 kg/286 lb	200-900	yes	500 mm/20"

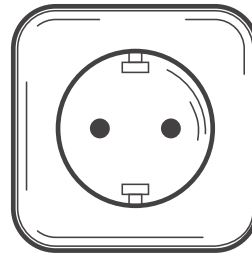
\*Maximum value for the highest model in specific product series.

# Available **plugs**

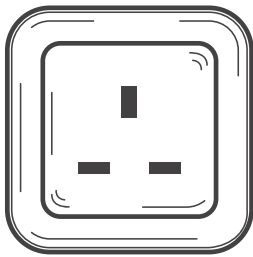
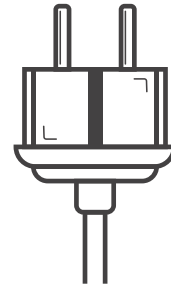
Our products are available with all commonly used plugs in 230 and 120 Volt



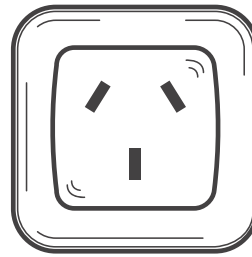
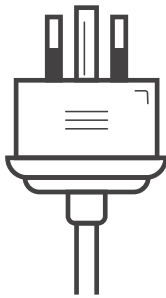
type **B**



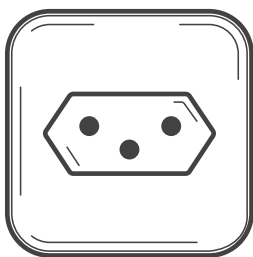
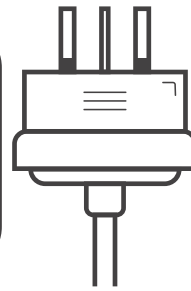
type **F**



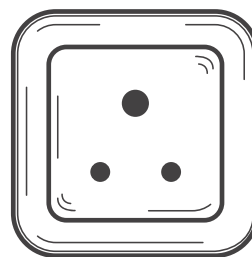
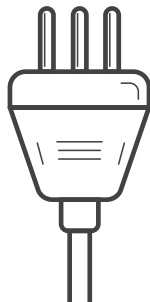
type **G**



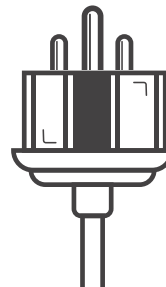
type **I**



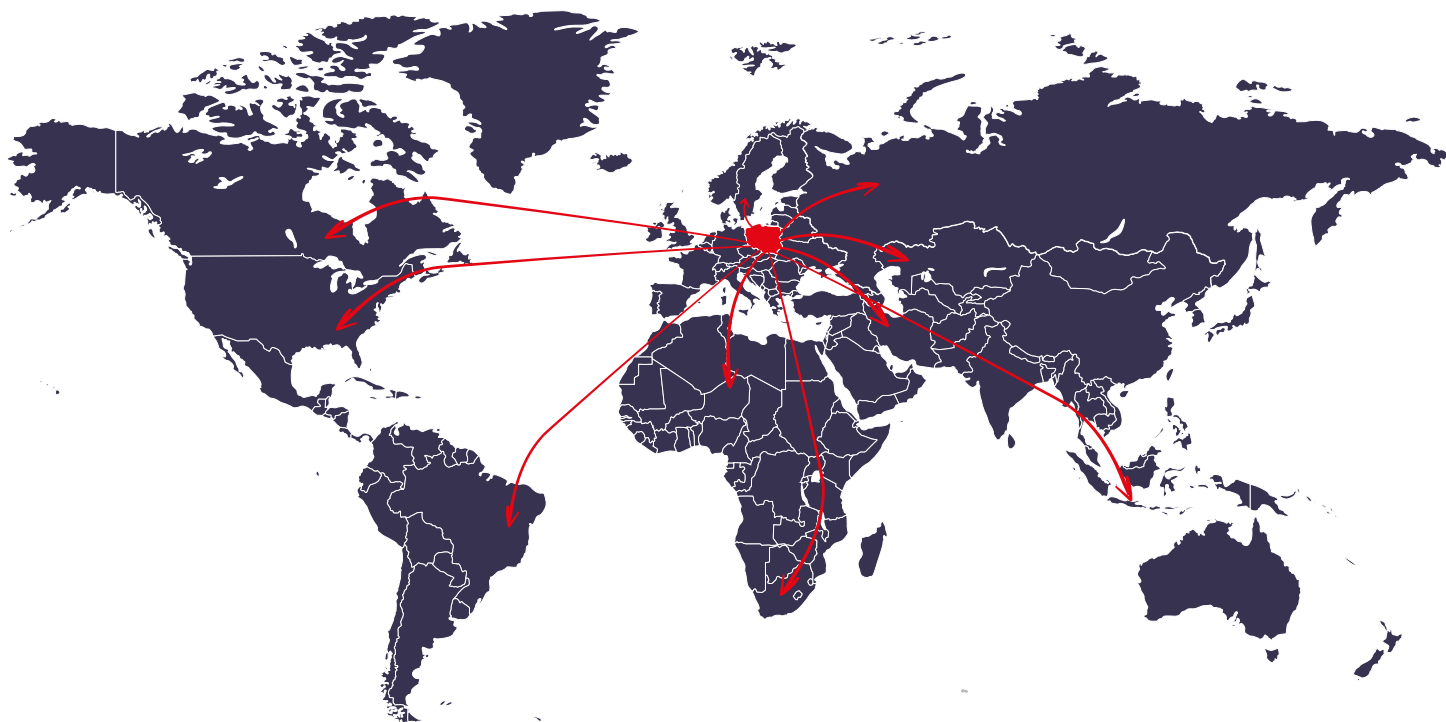
type **J**



type **M**



## Worldwide Export



### **Sabaj System Sp. z o. o**

30-841 Kraków, ul. Domagały 15

tel. +48 12 653 53 95; fax: +48 12 653 53 82

e-mail: [sales@sabaj.pl](mailto:sales@sabaj.pl)

[www.rtv.sabaj.pl](http://www.rtv.sabaj.pl)





**Sabaj System Sp. z o. o**

30-841 Kraków, ul. Domagały 15

tel. +48 12 653 53 95; fax: +48 12 653 53 82

e-mail: [sales@sabaj.pl](mailto:sales@sabaj.pl)

[www.rtv.sabaj.pl](http://www.rtv.sabaj.pl)