



FLOOR LIFT

Autolid series

Motorised under floor TV lift system
for screens from 60" to 100"

rtv.sabaj.pl



Since our establishment in 1965, Sabaj has undergone dynamic growth, continually introducing innovations and new technologies. This has allowed us to achieve a leading position in the market and expand onto the international stage. Our flagship products are TV lifts and floor lifts, which we continuously improve to ensure the highest quality. Thanks to our distributor network, our products are available worldwide. We prioritize the quality of our products and competitive pricing. We understand the significant role quality plays in the industry, so we manufacture our products from the highest quality materials while maintaining an attractive price. Sabaj products are a source of pride for the Polish industry, something we boast about at every opportunity. In addition to excellent quality and competitive pricing, Sabaj also places great emphasis on customer service and satisfaction. Our team of specialists is always ready to provide assistance and advice, ensuring comprehensive support at every stage of cooperation.

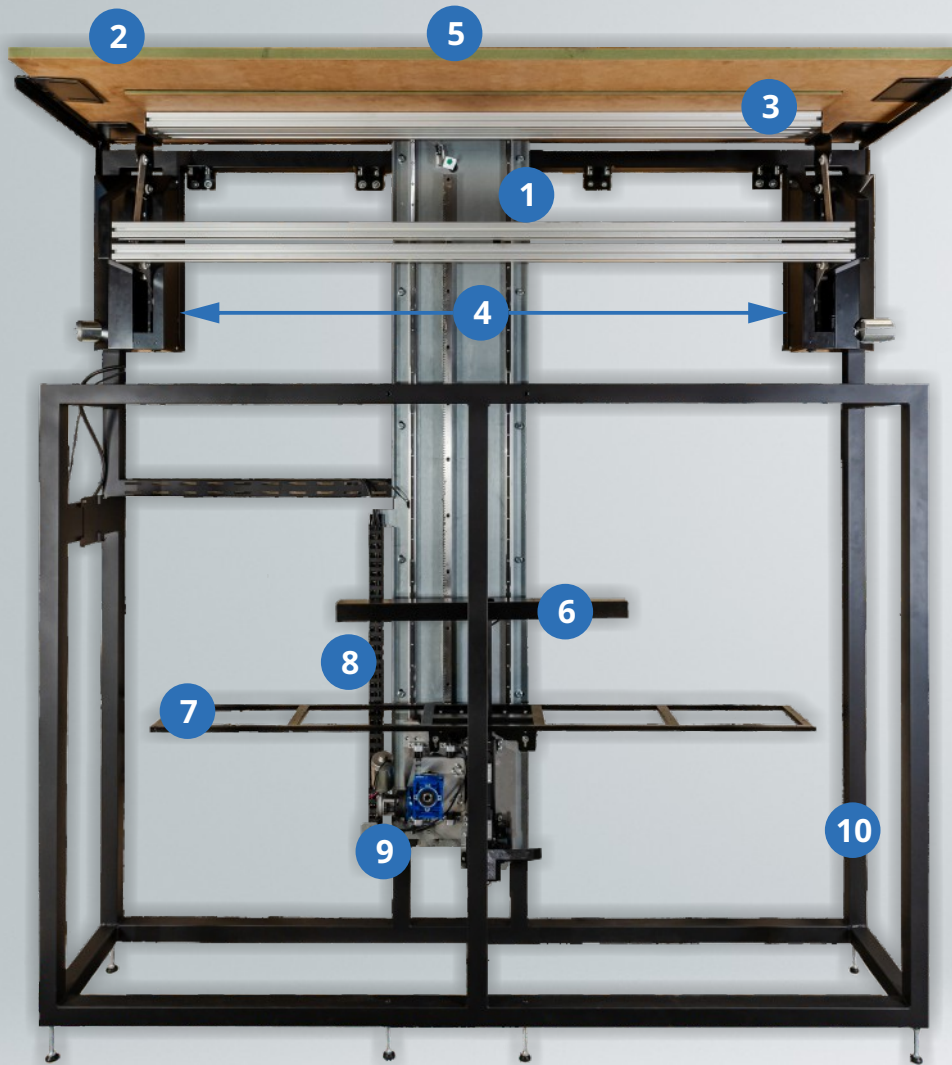


CHECK US OUT!



Product features

Lifting solution for bigger and heavier screens. Works in both conventional and upside-down mode. Thanks to gear rack type drive higher lengths can be obtained easily.



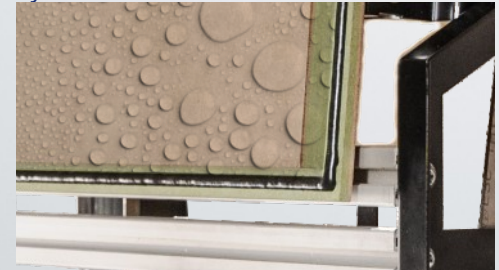
1 Ceiling / floor mounting

The product can be mounted either under the floor or on the ceiling.



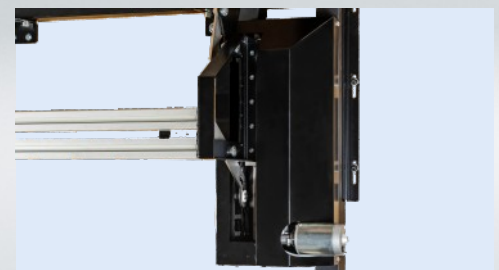
2 Waterproof leveling plate

The plate has been sealed to prevent disruptions in the mechanism's operation and potential damage to the floor above it by water.



3 Waterproof gasket

The lift system is completely concealed within the floor and is sealed from the top, allowing for easy floor cleaning without the risk of water reaching the mechanism.



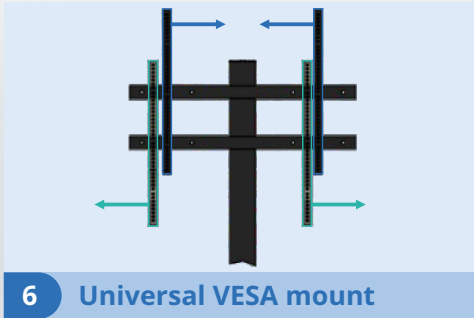
4 Dual lid motors

For safer and more stable operation, providing an additional level of confidence in performance.



5 max 150 kg / 330 lbs

Designed to support weights up to 150 kg. Completely safe for people walking on the closed mechanism.



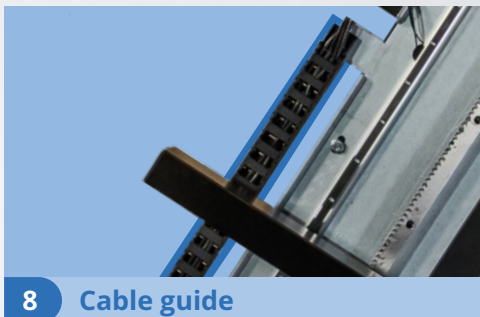
6 Universal VESA mount

Can be used with VESA mounting holes from 400 × 200 up to 800 × 600.



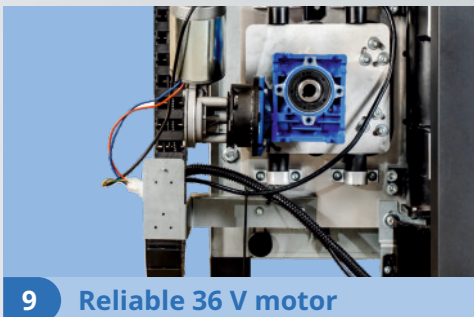
7 Top floor plate

Covers the entire system when the TV is fully extract.



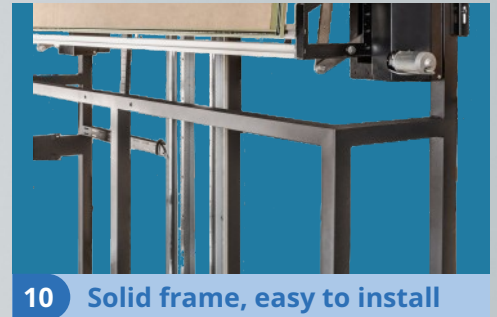
8 Cable guide

Cable guide enhancing user comfort and preventing system jams caused by insufficient cable length or tangling.



9 Reliable 36 V motor

Tested on over 10 thousand cycles of opening and closing the mechanism.



10 Solid frame, easy to install

The entire construction is made of high-quality metal, ensuring stability and long-lasting operation. Additionally, the simple installation process allows for quick and easy setup of the system.

Possible controls:



RF Remote
(supplied)



Push-button
(K-BTN)



IR Receiver
(IR-EYE)

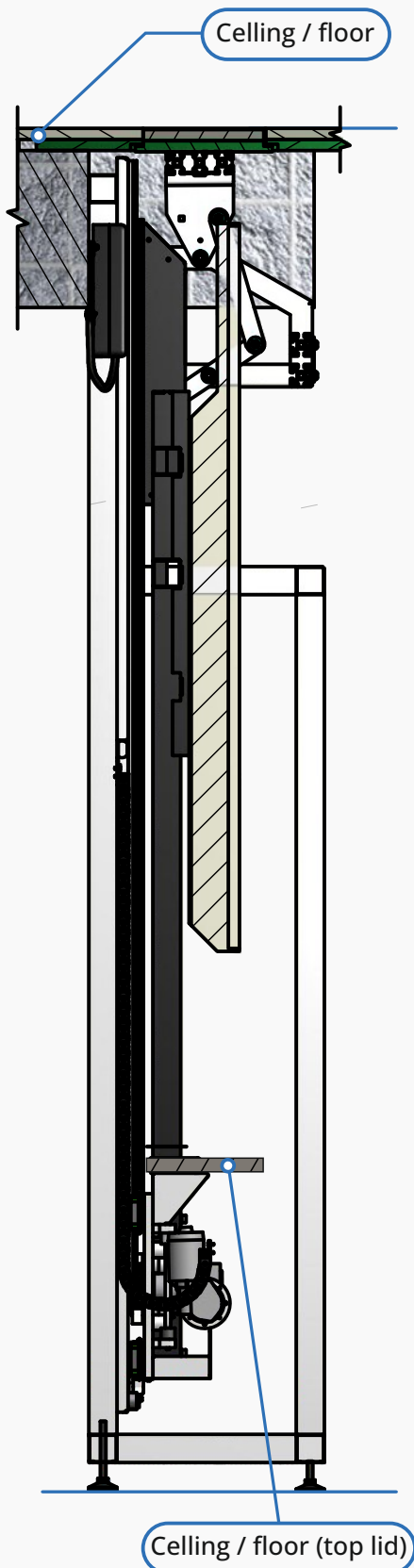


Android / iOS App
(K-SMRT Accesory)

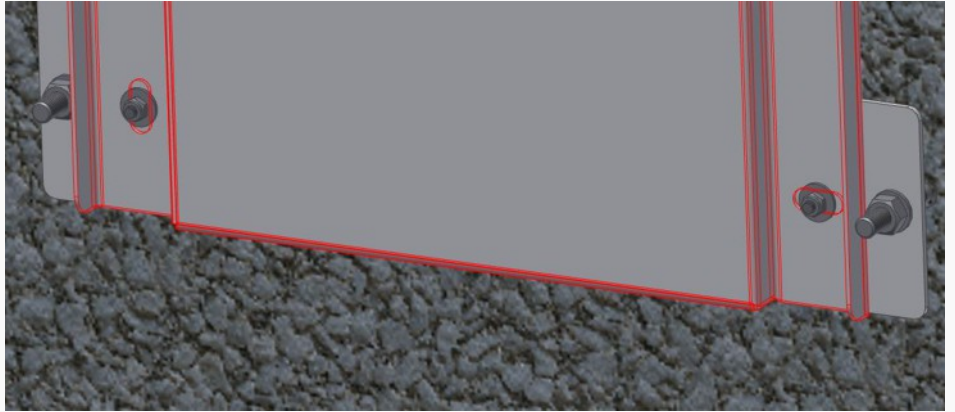


Dry contact switch (K-PLC)
Control 4 / KNX / Crestron
/ Lutron / Fibaro / etc.

Device & design principles



The unit should be mounted to a wall in the most standard version. With additional ground brackets, it can also be used without wall support. Min 6 wall concrete screws and a spirit level are required for mounting.



The unit comes with a few leveling pads, as leveling is very important for the lift to work properly.

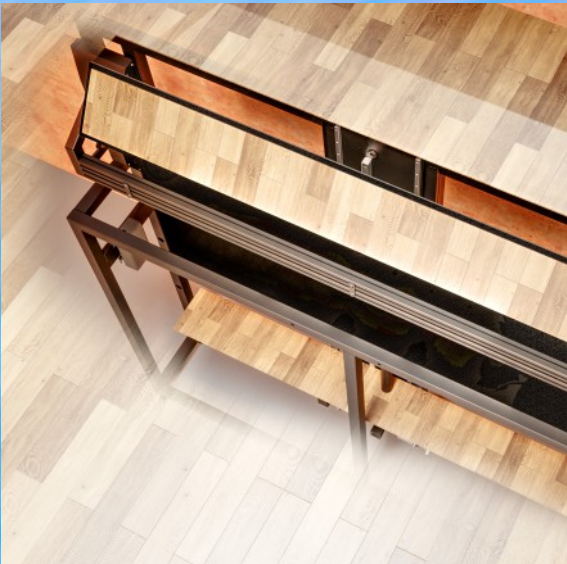


The TV never comes into direct contact with the floor, eliminating the risk of moisture and dirt getting into it, which could potentially damage the device. Additionally, we offer a pre-made composite board enclosure option that enhances the safety of your setup.

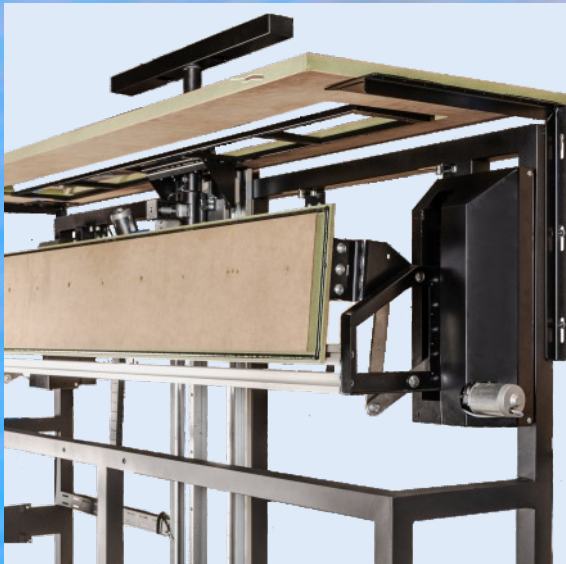


Adjustable height
thanks to universal
vesa mount

The automatic lid is driven by two synchronized electric motors and hides under the floor, which gives it an aesthetic look when the TV is raised.



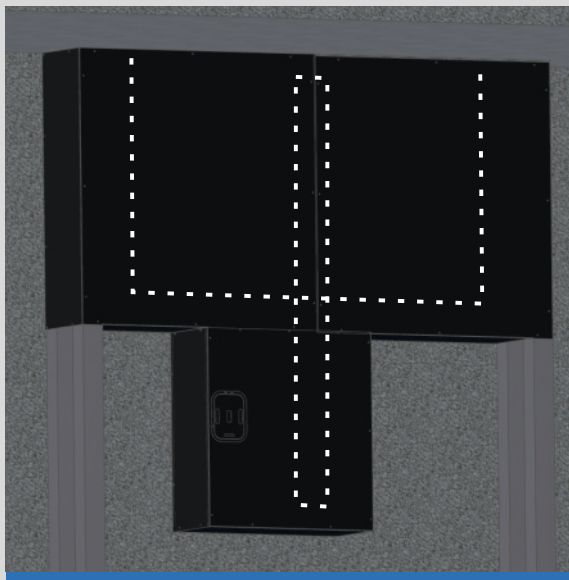
Both the top and bottom lid can be covered with floor material, having the top flooring flushed with minimal visible gap.



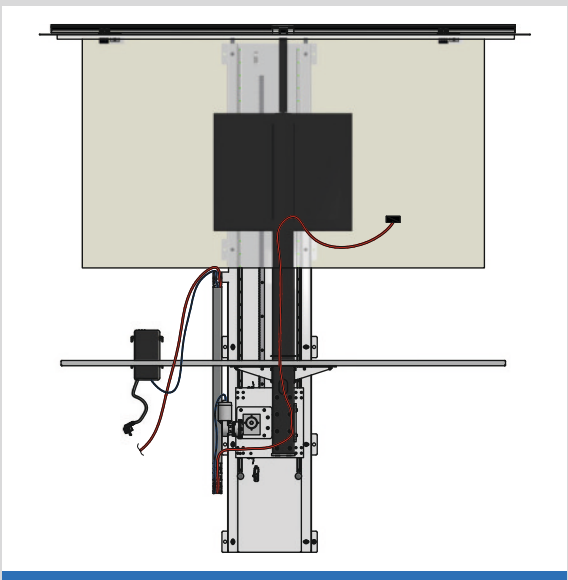
Both top and recess flap can be covered with some material as native flooring. Only a small gap around the perimeter is visible.



The product features a concealing flap that protects the mechanism and covers the empty recess.



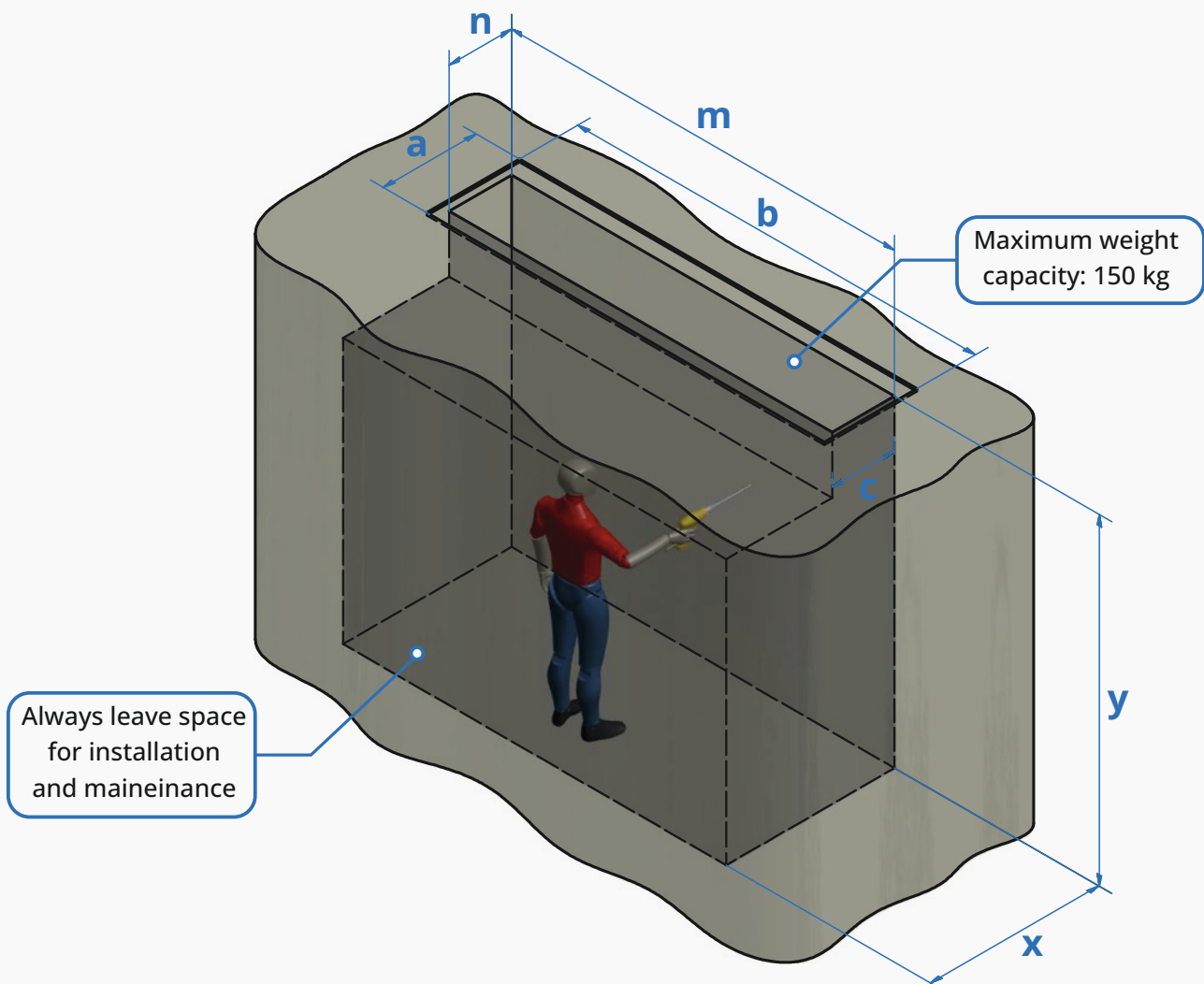
Mechanism enclosure – made of composite panels available per special request.



Comfortable cable guidance – IGUS type retracting cable guide + inner tube openings allow the cables to stay completely hidden.

Dimensions for mounting the frame

Dimensions	FL-AL-77	FL-AL-85	FL-AL-100
a	700 mm	700 mm	700 mm
b	2320 mm	2650 mm	3000 mm
c	470 mm	470 mm	470 mm
y	2430 mm	2430 mm	2430 mm
n	215 mm	215 mm	215 mm
m	2320 mm	2520 mm	2870 mm



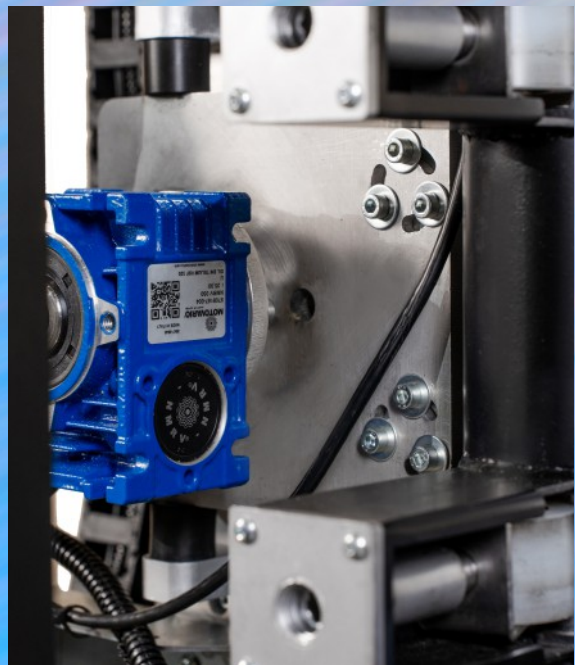
Specifications



Our floor lifts are designed to support weights of up to 150 kg, guaranteeing that the average person can walk over closed construction safely without causing any damage to the mechanism.



Safety System Feature - Our floor lift offers the option to include a safety system. This system includes an advanced weighing mechanism capable of detecting minor obstructions, prompting the lift to halt and raise by approximately 4cm. Please note that this feature is available as an optional add-on at the time of purchase and is not included as a standard feature in the basic model.



A very strong and quiet motor. The maximum weight of the TV is 70 kg, which means that most TVs ideally fit our product.



Concealing flap on which almost any type of floor plates can be mounted

The unit should be mounted to a wall in the most standard version. With additional ground brackets, it can also be used without wall support. Min 6 wall concrete screws and a spirit level are required for mounting.

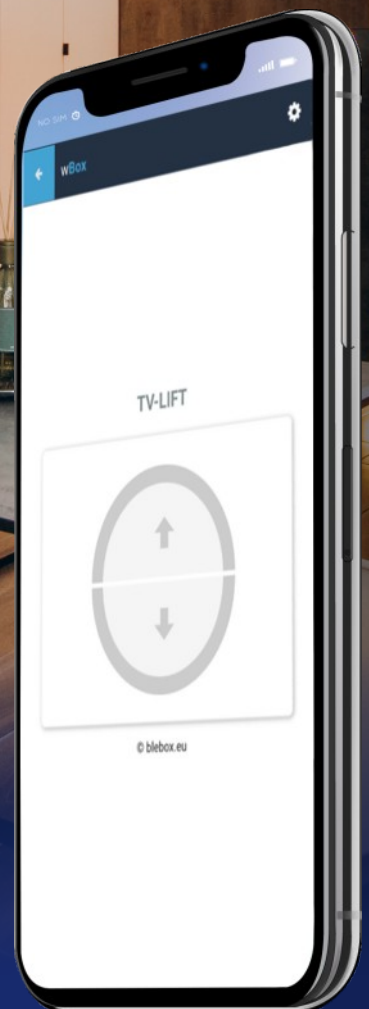
Due to its flexible design – every unit can be custom-made covering lifting heights up to 2500 mm!

Spec./product code	FL-AL-77	FL-AL-85	FL-AL-100
Lifting speed	150 cm / min		
Unit voltage/wattage (mm)	230 V / 50 W		
Minimum floor opening dimensions (mm)	215 × 2320 × 2320	215 × 2520 × 2320	215 × 2870 × 2320
Max lifting height (mm)	1600 mm	1600 mm	1800 mm
Safety features	Motor overheat (standard). Extra sensitive safety systems available on special request.		
Flap mechanism	Automatic (Autolid), hidden inside		
Cable guidance	IGUS-type plastic cable guide		
Max lifting weight	70 kg		
Power guard TV Socket	Yes (TV can be powered through lift control box)		
Height adjustment	Via Adjustable TV Bracket		
Drive type	Gear rack + gearmotor		
Available controls	IR, RF, Active RJ-45 (all RJ-45 Sabaj Accessories), Wi-Fi ready		
Montage	Up-Down / Down-UP		
Color	RAL 9005		

* The number in the product name also provides information about the maximum number of inches of the mounted TV.

Remote control via application

Manage your TV from anywhere! Our dedicated „Wbox” application provides full convenience in controlling your smart home. Add the WiFi module to your order to access all the mentioned features and capabilities. Whether you're at home or away, complete control over your home devices is at your fingertips.

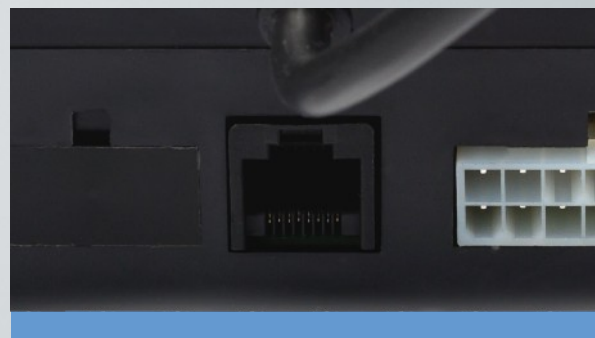


Control Box with Power guard (Dedicated Sabaj)



1 Adapted power plug

The Floorlift is delivered with a proper socket for your electrical region.



2 Active RJ-45 port

It allows for connecting additional access-ories such as control buttons or integrating the floor lift into a smart home system.



3 Digital display

Our controller outperforms the competition with its user communication display. Thanks to the use of a small screen, when our lift detects any errors, it will inform the user about them with the appropriate symbol.



4 Power supply to the TV

Seamless connection of the TV to the power supply is possible thanks to our controller, which features a dedicated power output. Additionally, connecting the TV to the lift automatically cuts off the power supply when it is retracted into the floor. This is an essential safety measure to prevent accidental activation of the TV while concealed, ensuring user safety.

Accessories (Optional)



Bidirectional cable with terminals for the PLC controller – K-PLC

The cable ends with three ends carrying a signal to the lift depending on the contact connection – the command to drive up and down (short signal lasting 0.5 s). This type of contacts operate at a low voltage of 0 – 10 V. K-PLC cable allows controlling the lift with most known smart home controllers like CONTROL-4, Lutron, Crestron, Fibaro and others



WiFi RJ-45 adapter for K-SMRT-4

Works with all electric TV mounts equipped with an active RJ-45 connector. The controller enables remote control of Sabaj TV lifts via the wBox application. The device uses modern µWiFi technology. By using the K-SMRT controller, you can pair the TV lift with smart home systems such as GOOGLE HOME and AMAZON ALEXA or control the lift with your smartphone.



Wired two-way control panel – K-BTN

Allows controlling the lift with simple touch-button. That can be placed anywhere. Comes with a 3 m cable.



Infrared receiver – IR-EyE

Cable length 3 m. Infrared receiver with RJ-45 plug. For controlling IR series lifts. IR-EyE allows our embedded IR Multicode system to learn your TV's remote and operate both the lift and TV with one controller!

WORDWIDE SHIPPMENT



Please contact us regarding information about the delivery cost.

OUR LOCATION



Sabaj System Sp. z o.o.

30-841 Kraków, ul. Domagały 15
tel. +48 12 653 53 95; fax: +48 12 653 53 82
e-mail: sales@sabaj.pl
www.rtv.sabaj.pl

CHECK US OUT!

