

D'ANGLE

Ceiling-mounted TV lift

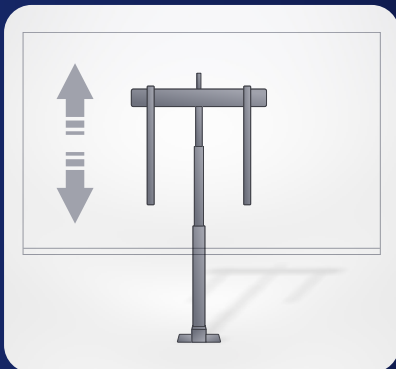
See your TV from a new perspective.

Our company

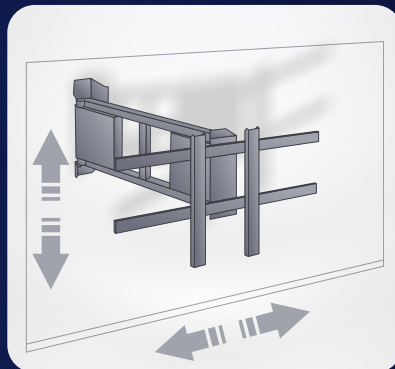


Since our establishment in 1965, Sabaj has undergone dynamic growth, continually introducing innovations and new technologies. This has allowed us to achieve a leading position in the market and expand onto the international stage. Our flagship products are TV lifts and floor lifts, which we continuously improve to ensure the highest quality. Thanks to our distributor network, our products are available worldwide. We prioritize the quality of our products and competitive pricing. We understand the significant role quality plays in the industry, so we manufacture our products from the highest quality materials while maintaining an attractive price. Sabaj products are a source of pride for the Polish industry, something we boast about at every opportunity. In addition to excellent quality and competitive pricing, Sabaj also places great emphasis on customer service and satisfaction. Our team of specialists is always ready to provide assistance and advice, ensuring comprehensive support at every stage of cooperation.

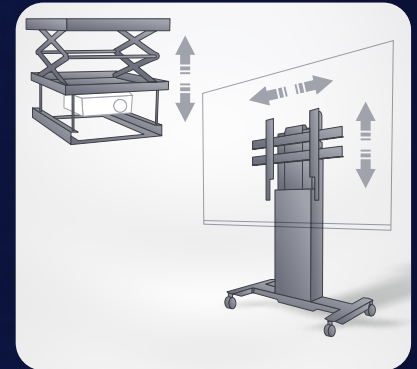
Main product categories



TV Lifts



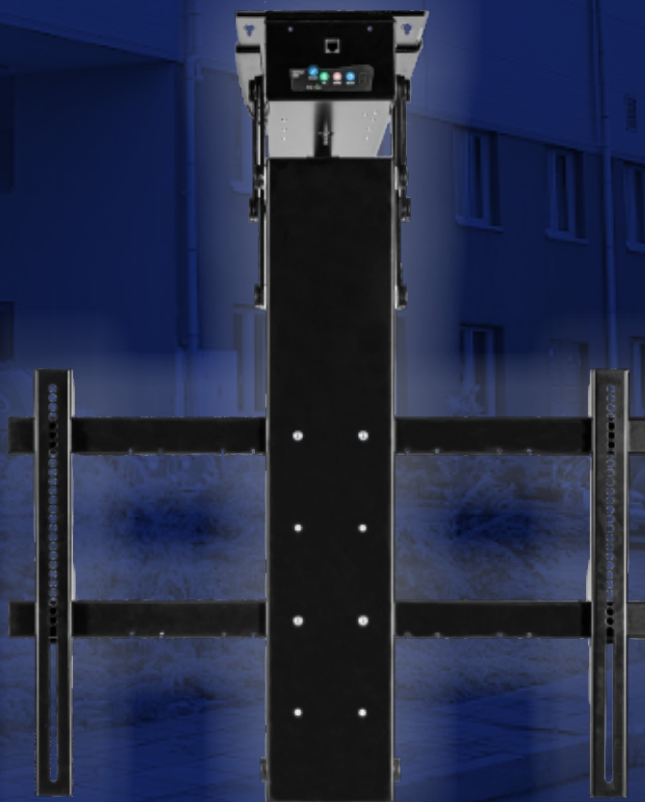
TV Wall Mounts



Special Products

D'Angle

Your Timeless New Home

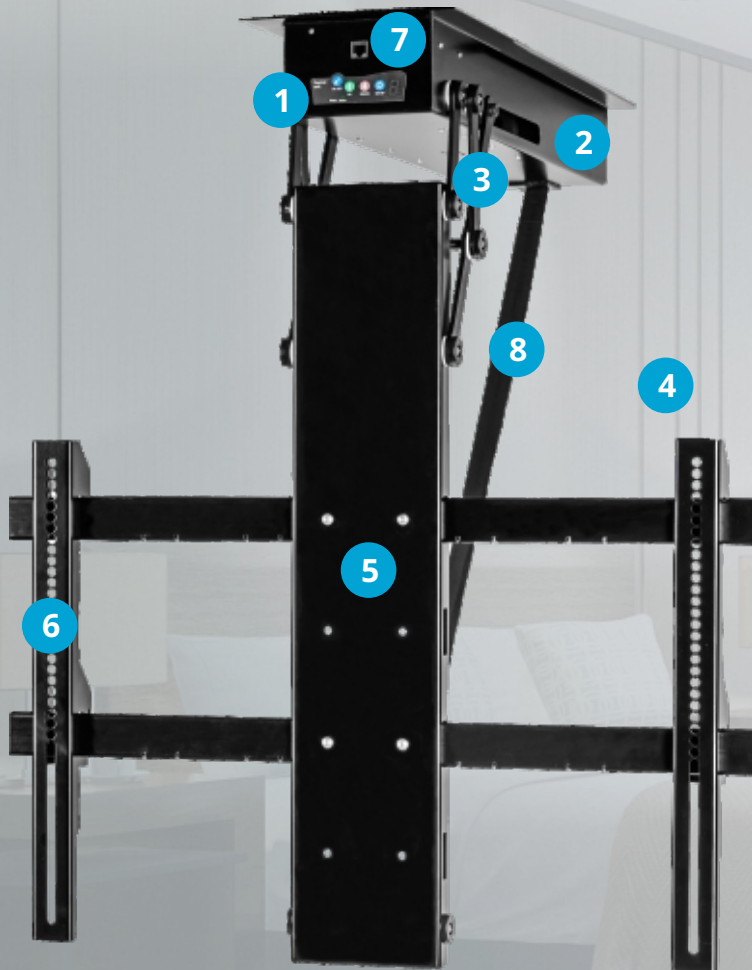


CHECK US OUT!



Product features

Discover all the unique specifications of D'Angle. It is a top product that surpasses the competition, and we stand out for:



1 User-friendly controller

The controller informs the user about the device status and enables adjustment /programming of the opening angle.



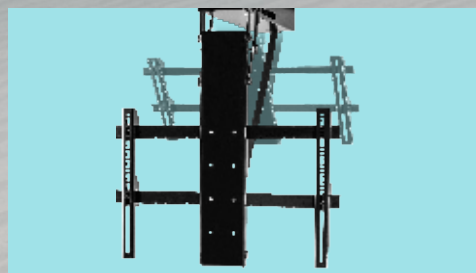
2 Overload protection

Our lift is equipped with an overload protection system. This means that if the lift detects resistance while closing, it will stop, preventing any potential crushing.



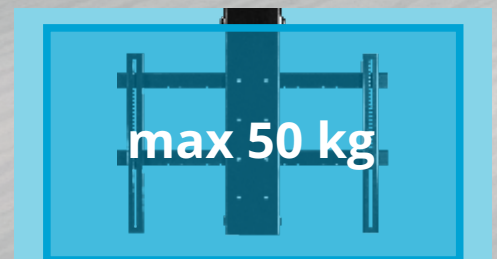
3 Robust construction

Our product is made of the highest quality materials and has undergone rigorous quality testing, ensuring efficient performance for many years. We are confident in our product and offer a 5-year warranty.



4 Quiet and fast operation

Our lift folds and unfolds at a speed of approximately 3 cm/s, while maintaining a low level of noise.



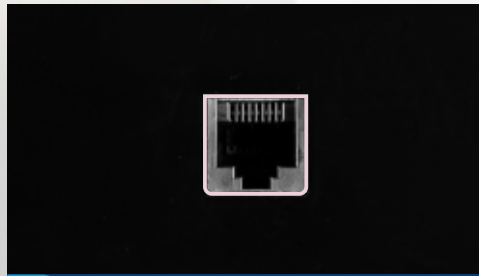
5 High weight capacity

Maximum load of 50 kg.



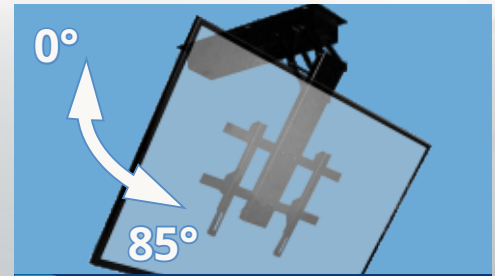
6 Universal VESA mount

Allows adjustment for screens compatible with the VESA standard ranging from 100 × 100 to 600 × 600 mm.



7 Active RJ-45 port

Our lift features an RJ-45 socket, allowing for the connection of additional accessories.



8 Tilt angle adjustment

The tilt angle smoothly adjusts from 0° to 85°, allowing the user to find the perfect screen angle.

Unique features

Our lift features an intelligent remote programming function. This allows for very easy connection of the TV remote directly to the lift, enabling control of both the TV and the lift with a single remote.

Versatility



Designed for both flat and curved screens. Our system has been meticulously engineered to accommodate both curved and flat screens with ease, ensuring versatility and compatibility for all types of setups.

Failure-Free



Our belt, which raises the system, is of the highest quality, ensuring stable and reliable operation of the device for many years. Additionally, the system is equipped with a mechanism to prevent the belt from tangling, ensuring the system operates reliably even under heavy usage conditions.

Angle adjusted to fit your needs

Our lift is the perfect solution for your bedroom. You no longer need to adjust your position on the bed to the TV, as the TV adjusts to you, allowing you to watch comfortably. Additionally, when you're not using the TV, you can retract it to occupy minimal space, giving you extra space in your bedroom. This way, you can enjoy not only comfortable viewing but also better organization and increased functionality in your bedroom.

Additionally, to increase comfort, you can control the angle of inclination via the application without leaving the bed! Our dedicated „Wbox” application provides full convenience in controlling your smart home. Add the WiFi module to your order to access all the mentioned features and capabilities. Whether you're at home or away, complete control over your home devices is at your fingertips.



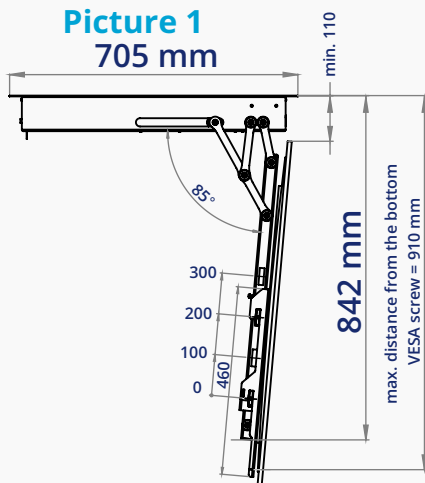
Also, add to the order



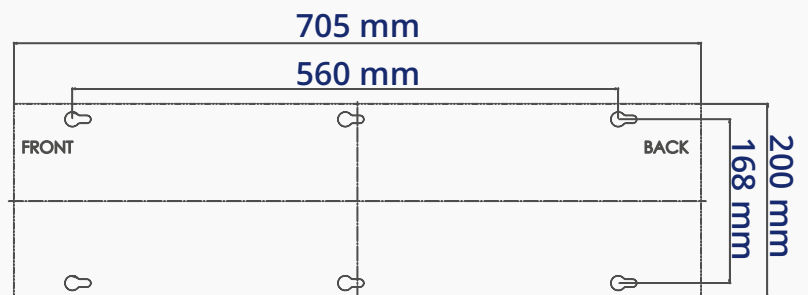
Dimensions for mounting the frame and specifications

	D'Angle XL
Max Load	50 kg (considering centrally distributed center of mass)
Max TV Size	85"
Max Rotation angle	85"
Unit thickness (ceiling closure)	143 mm
Lifting Speed	3 cm/s
Safety features	Electric motor overload
Opening angle adjustment	Yes (Adjustable in setup)
Product Weight	15,3 kg
Control	Ir Remote (supplied)
Optional controls (with Sabaj Accesories)	Dry Contact, RF Remote, Smarthone control
Vesa Compliance	100 × 100, 200 × 200, 300 × 300, 400 × 400, 600 × 600
Warranty	5 Years

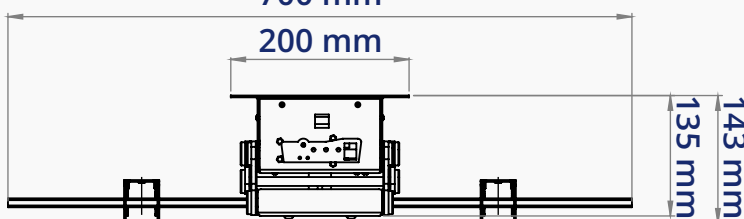
Picture 1
705 mm



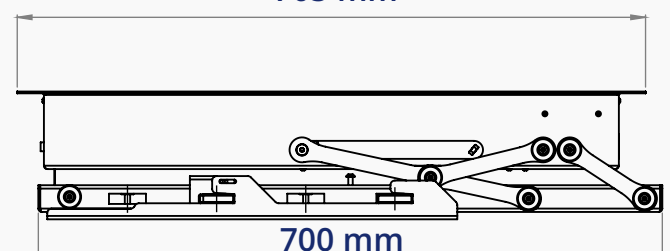
Picture 2 (drilling template)



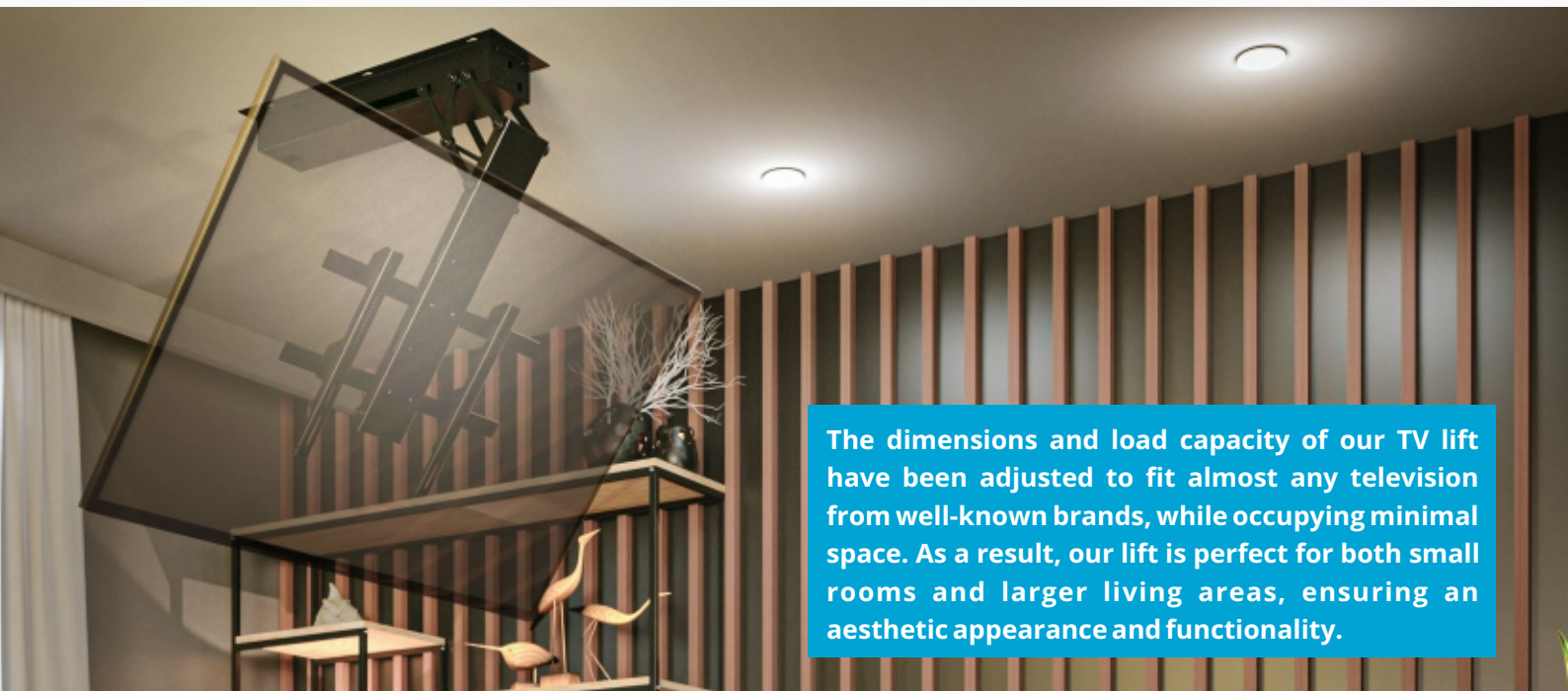
Picture 3
700 mm
200 mm



Picture 4
705 mm



Device & design principles



The dimensions and load capacity of our TV lift have been adjusted to fit almost any television from well-known brands, while occupying minimal space. As a result, our lift is perfect for both small rooms and larger living areas, ensuring an aesthetic appearance and functionality.



We offer a complete mounting kit for our lift

1 Fischer wall plugs

We include Fischer wall plugs with our lift. These are high-quality plugs from a reputable company, ensuring a very durable ceiling installation.

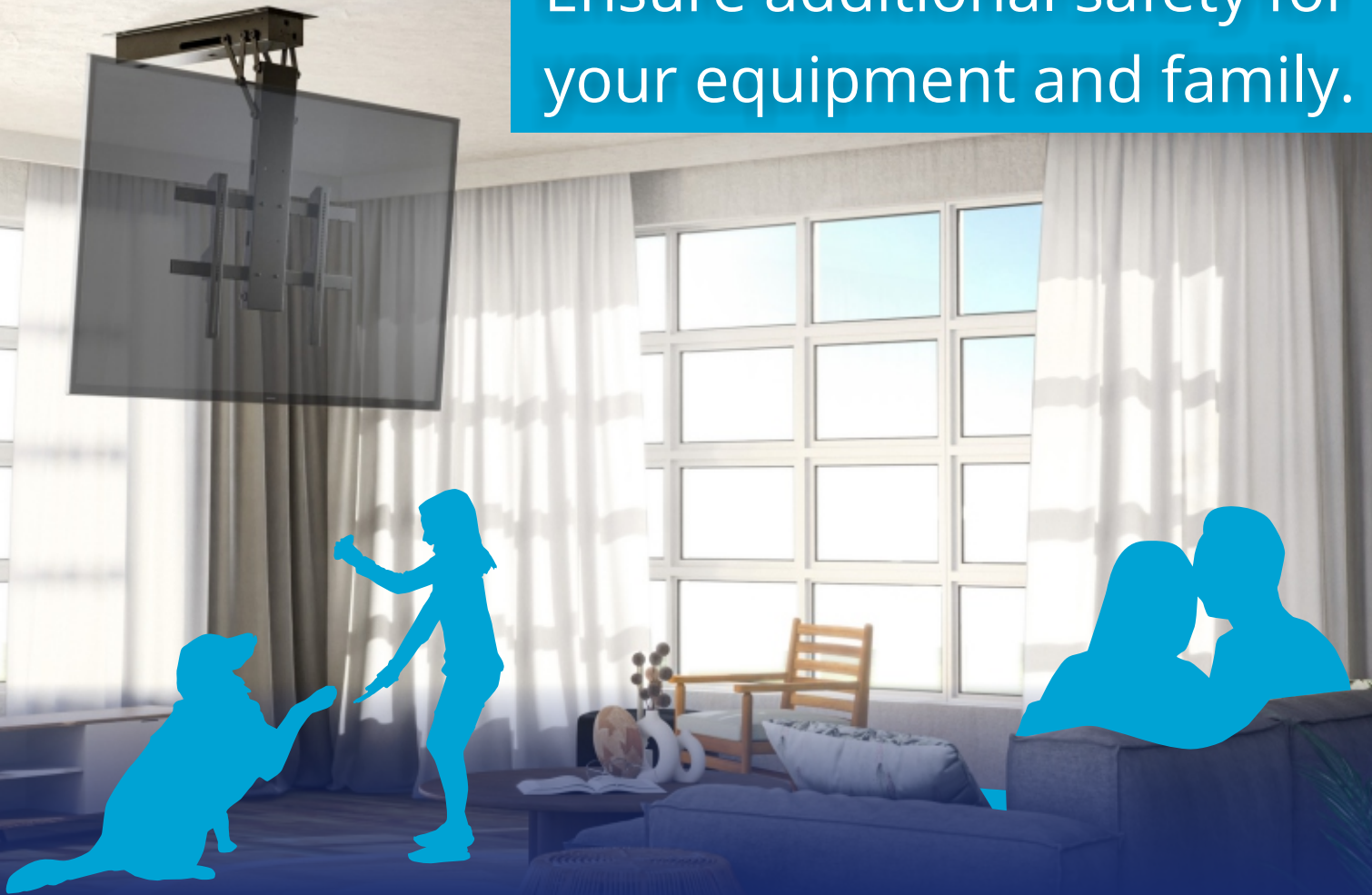
2 Washers with screws

Our lift is designed to fit televisions as precisely as possible. Therefore, we include suitable screws and extension caps in various sizes with the set, ensuring that the television is securely and firmly attached to the lift, regardless of its construction.

3 Remote control

We include a pre-programmed remote with a battery in the set, so you can start using the device right away. Additionally, our lift can connect to any infrared remote, including your TV remote.

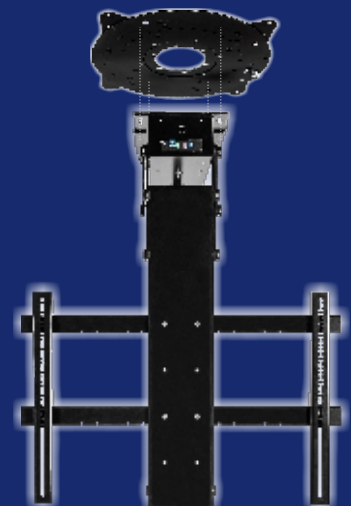
Ensure additional safety for your equipment and family.



D'Angle is the perfect solution for your family. Ceiling mounting ensures difficult access to the TV for children and pets, ensuring the safety of your family and equipment. Additionally, the equipment makes a huge impression on guests and adds a unique look to your room, while also creating atmospheric movie nights.

Dedicated Rotapad for D'Angle

The Sabaj system offers the option to add an accessory called Rotapad for D'Angle, which allows a 350-degree rotation. This not only enables angle adjustment but also determines the direction in which the TV should be oriented. This feature makes the lift significantly more versatile. Add the Rotapad for D'Angle to your order and enjoy the aforementioned functionality.



Accessories (Optional)



Bidirectional cable with terminals for the PLC controller – K-PLC

The cable ends with three ends carrying a signal to the lift depending on the contact connection – the command to drive up and down (short signal lasting 0.5 s). This type of contacts operate at a low voltage of 0 – 10 V. K-PLC cable allows controlling the lift with most known smart home controllers like CONTROL-4, Lutron, Crestron, Fibaro and others



WiFi RJ-45 adapter for K-SMRT-4

Works with all electric TV mounts equipped with an active RJ-45 connector. The controller enables remote control of Sabaj TV lifts via the wBox application. The device uses modern μ WiFi technology. By using the K-SMRT controller, you can pair the TV lift with smart home systems such as GOOGLE HOME and AMAZON ALEXA or control the lift with your smartphone.



Wired two-way control panel – K-BTN

Allows controlling the lift with simple touch-button. That can be placed anywhere. Comes with a 3 m cable.



Infrared receiver – IR-EyE

Cable length 3 m. Infrared receiver with RJ-45 plug. For controlling IR series lifts. IR-EyE allows our embedded IR Multicode system to learn your TV's remote and operate both the lift and TV with one controller!

WORDWIDE SHIPPMENT



Please contact us regarding information about the delivery cost.

OUR LOCATION



Sabaj System Sp. z o.o.

30-841 Kraków, ul. Domagały 15
tel. +48 12 653 53 95; fax: +48 12 653 53 82

e-mail: sales@sabaj.pl

www.rtv.sabaj.pl

CHECK US OUT!

