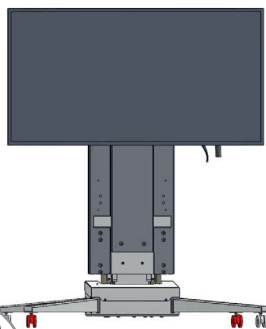


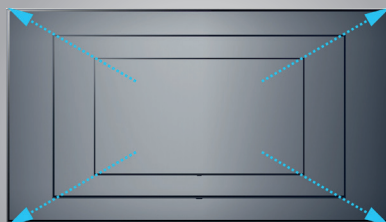
Specification	
max load	90 kg
max TV size	any
max rotation angle	350°
angle adjustment distance	10°
locking mechanism	spring loaded pin with manual release
cable length	1,6 m
product weight	8 kg
product compatibility	K-Series, Mobilift series, K-Down series, WP series
vesa compliance	100 × 100, 200 × 200, 300 × 300, 400 × 400
warranty	5 Years

Product Features

RotaPad



The ROTAPAD is a rotating disc designed specifically for mounting TVs and enabling rotation on various Sabaj Lifts.

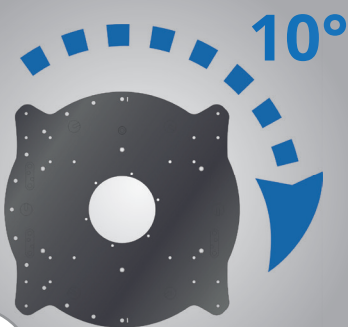


90kg

Capable of bearing a weight of up to 90 kg, providing sturdy support for TVs of different sizes.



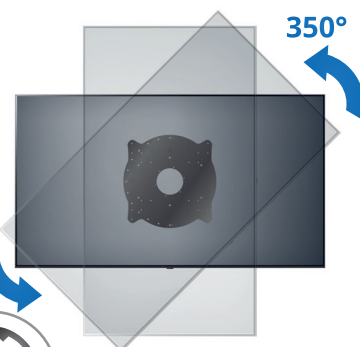
The ROTAPAD is versatile and can be used on ceilings, floors, and walls, serving as an intermediary component between the TV and the lift brackets.



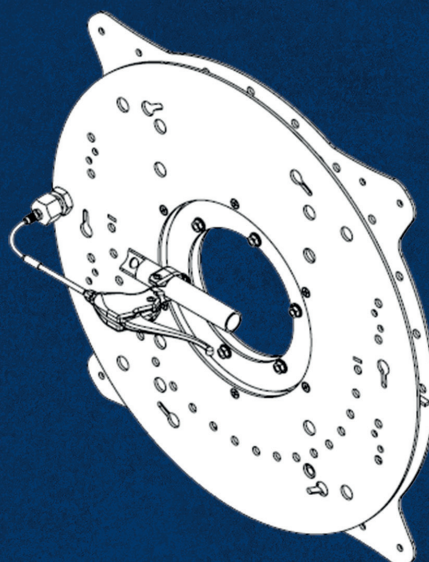
Mechanical release mechanism, safely keeps TV in place in 10° increments.

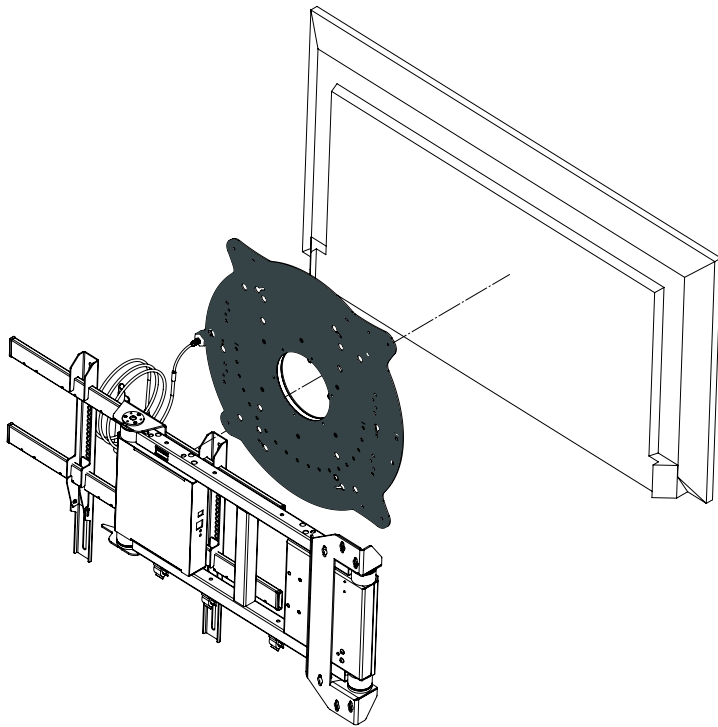


Set of quality Fischer mounting screws and adapters supplied

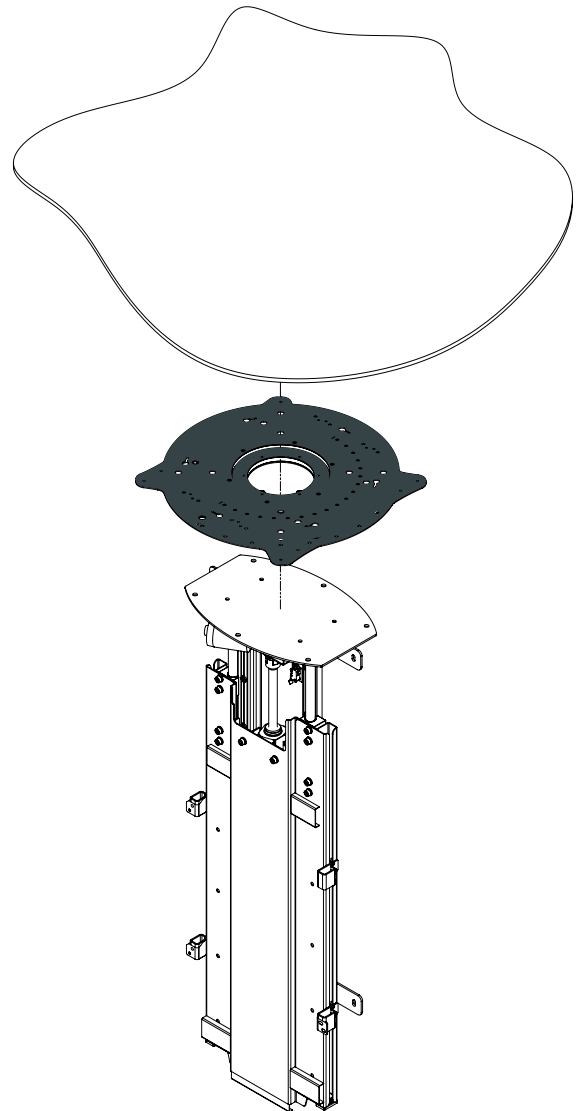


Rotation mechanically limited to 350°, to prevent twisting.

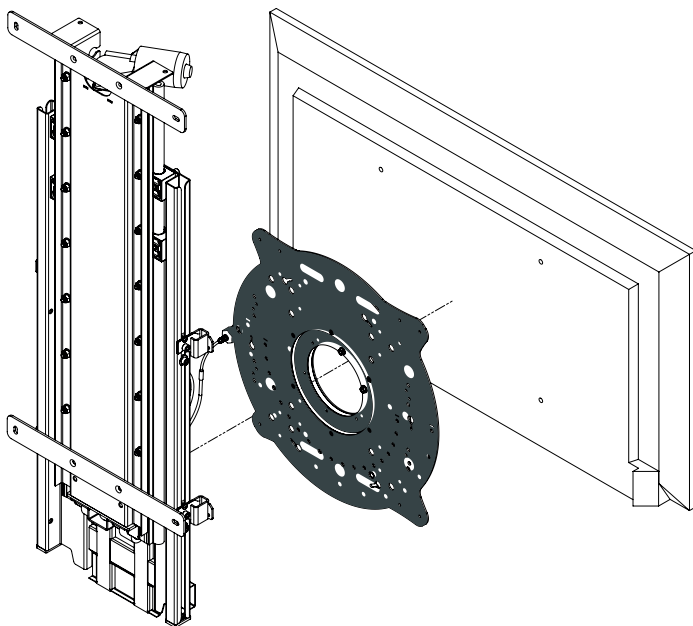




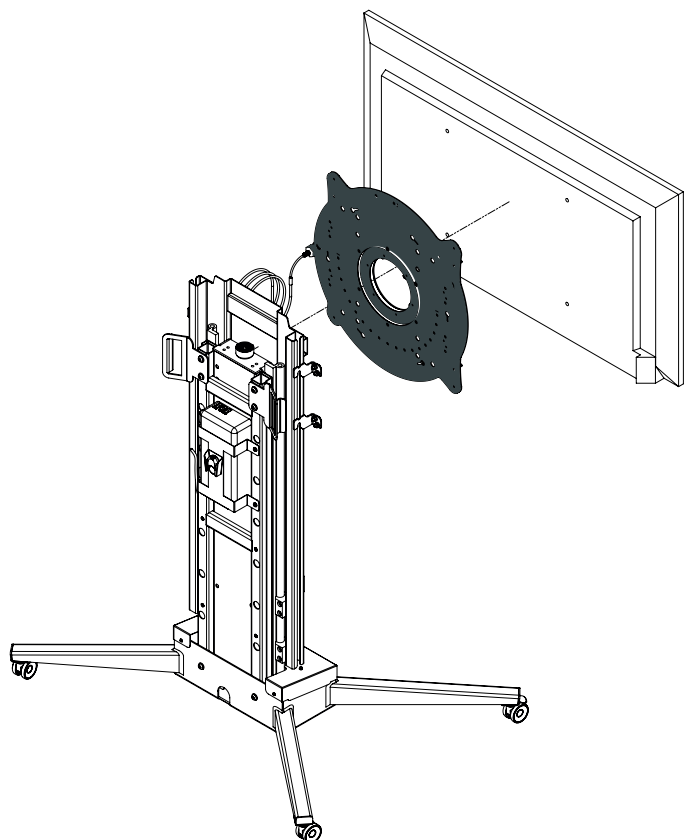
OTW + RotaPad



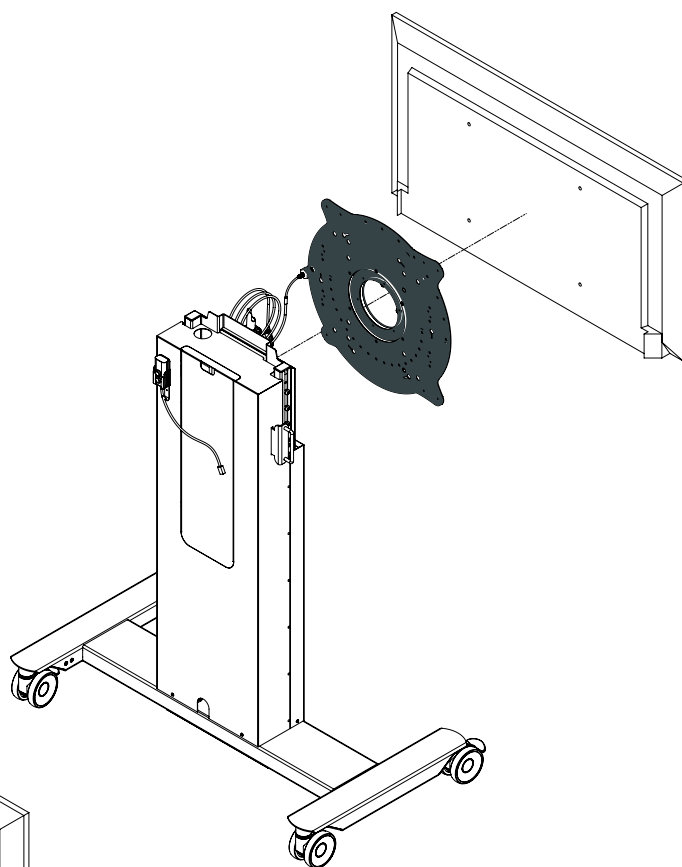
**K-Down + Rotapad
ceiling mount**



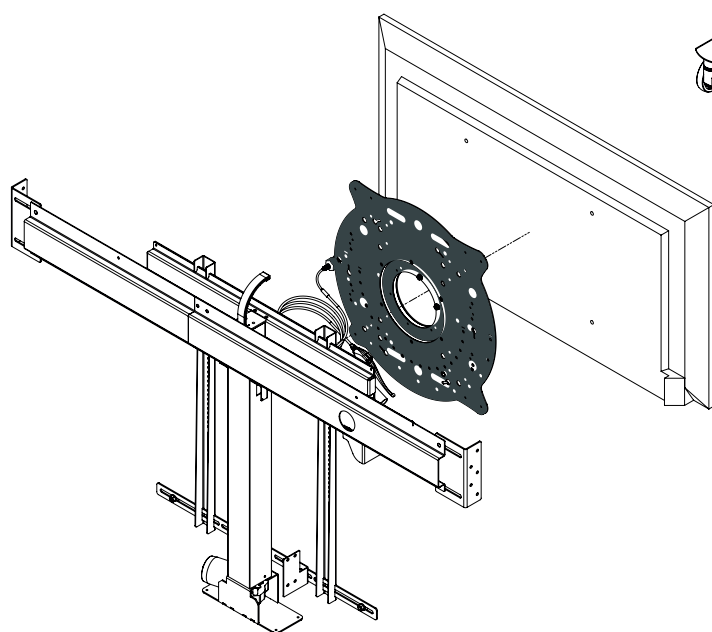
**K-Down + Rotapad
wall mount**



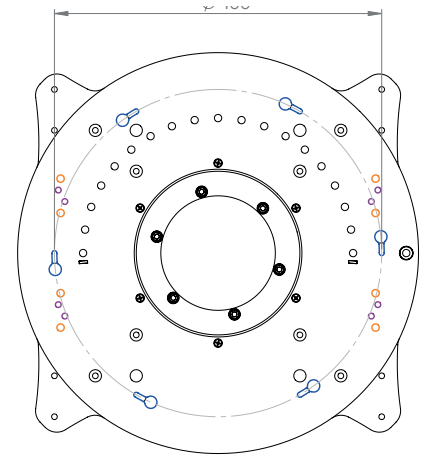
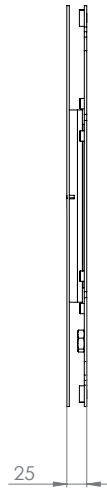
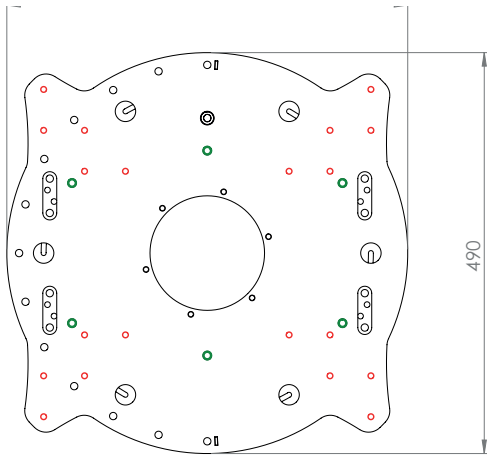
Mobilift + Rotapad



WP-560 + Rotapad



**K-Series + Rotapad
(floor)**



max rotation 350°

