

Motorised Under Floor TV Lift system



FLOOR LIFT

Floor Lift



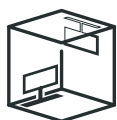
Flexible design

A customizable lifting solution for bigger and heavier screens. Works in both conventional and upside-down mode. Thanks to gear rack type drive higher lengths can be obtained easily.

Due to its flexible design – every unit can be custom-made covering lifting heights up to 2500 mm!



WiFi Ready



Ceiling/floor
mounting



Easy stroke
adjustment



Active
RJ-45 socket



power
guard



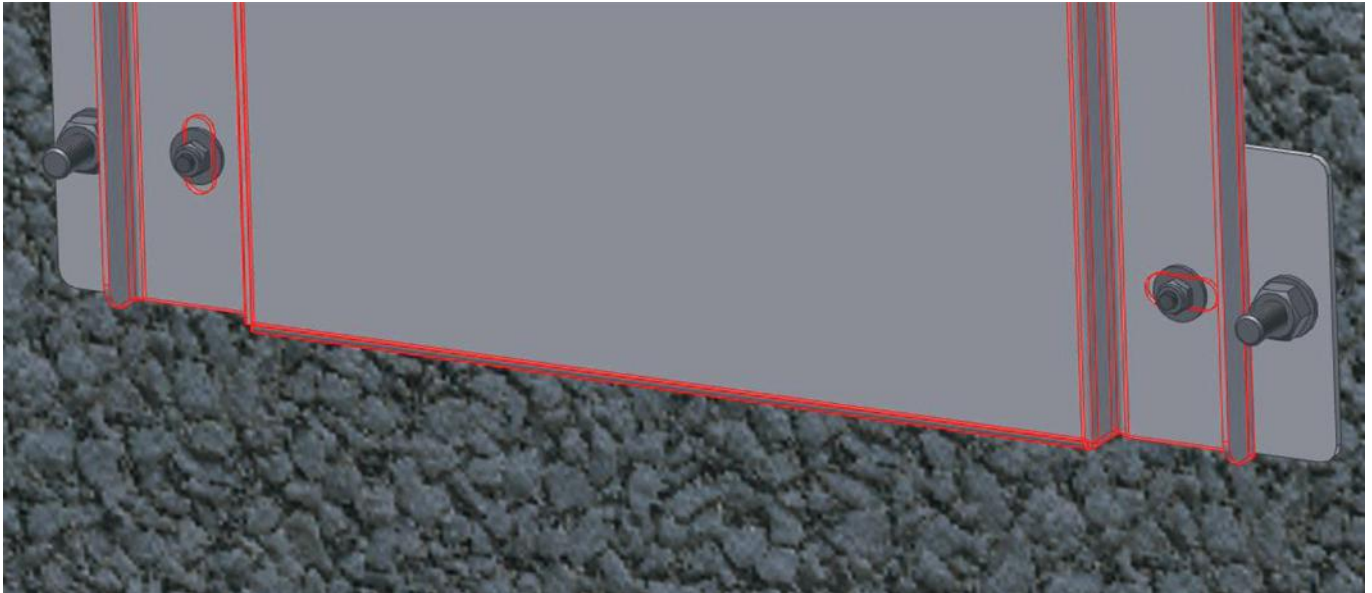
Custom
made



5 year
warranty

Find out more on: rtv.sabaj.pl

The unit should be mounted to a wall in the most standard version. With additional ground brackets, it can also be used without wall support. Min 6 wall concrete screws and a spirit level are required for mounting.

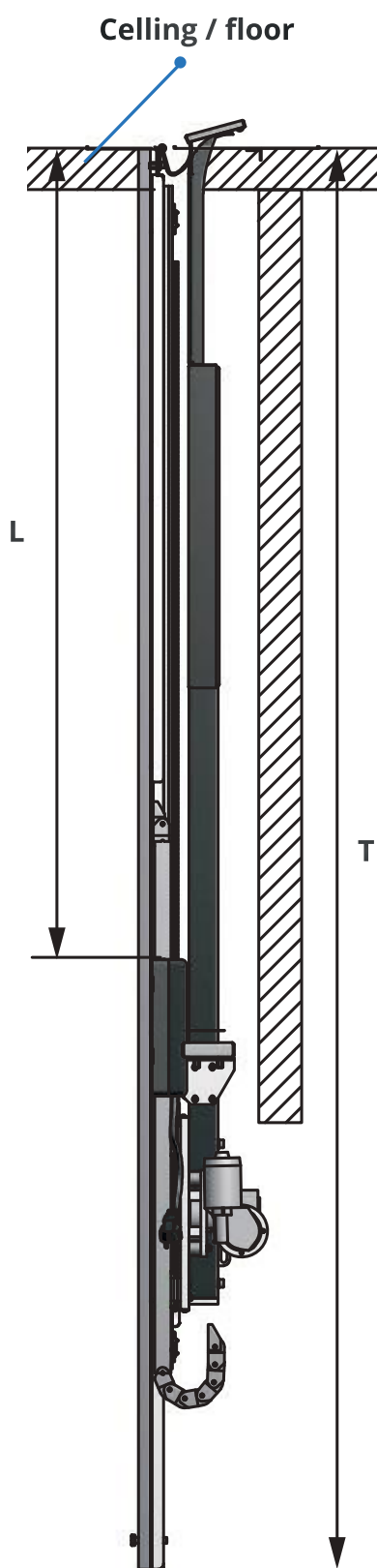


The unit comes with a few leveling pads, as leveling is very important for the lift to work properly.

Important data to be provided by a customer for proper quotation and making a final design:

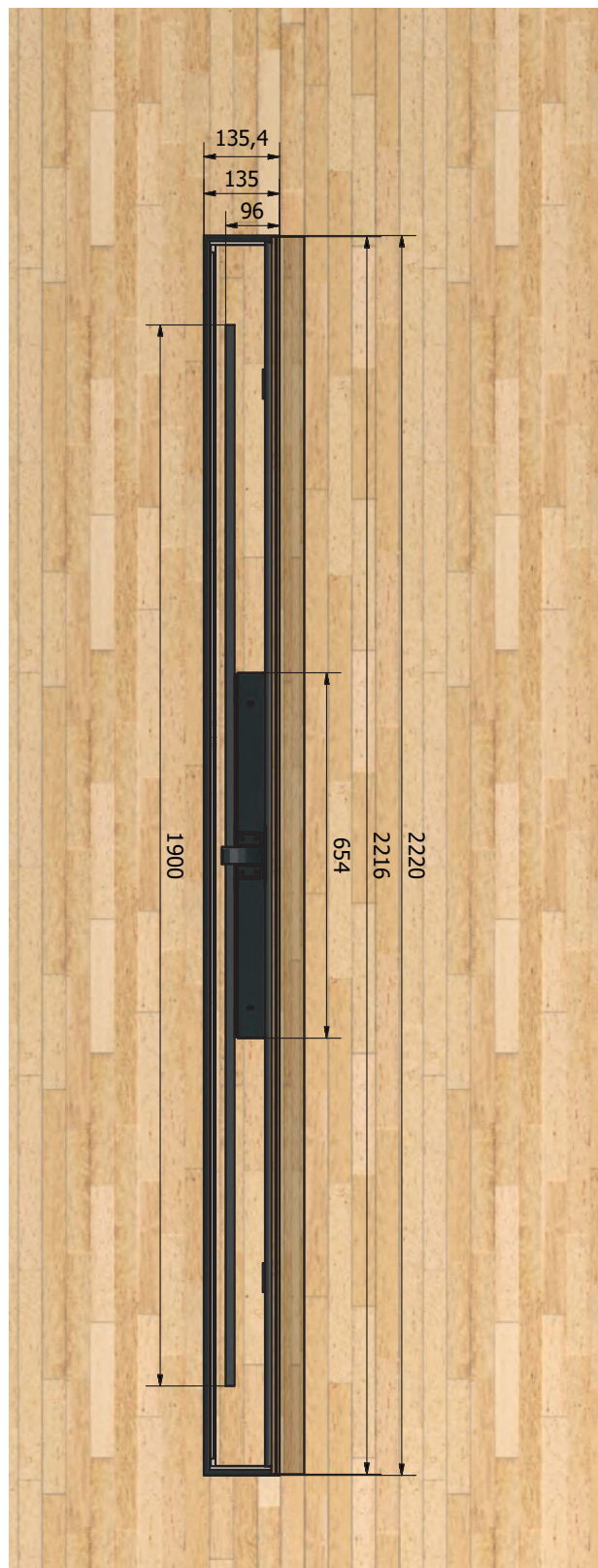
1. TV Height and width (just a TV model is enough).
2. Preferred lifting height measured from Floor/ceiling level to closer edge of the screen.
3. Lifting height + TV Height + 400 mm for mechanism = total lift height
4. Space available in mounting place (if there is any condition, that prevents from ensuring space adequate to the TV LIFT).





L - lifting height

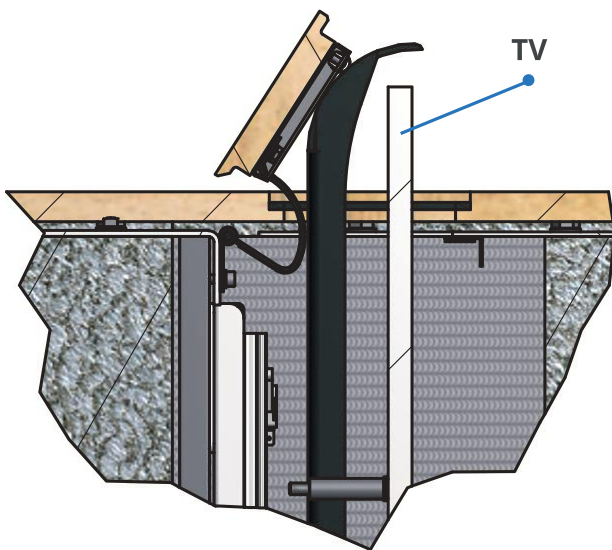
T - total height: $L + 400$ mm



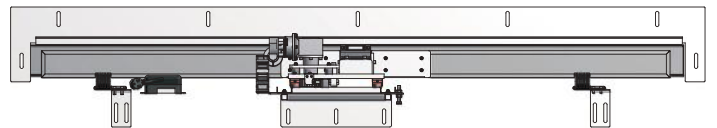
Sample mounting hole and FLOOR LIFT dimensions, customized for 1600 mm width TV.



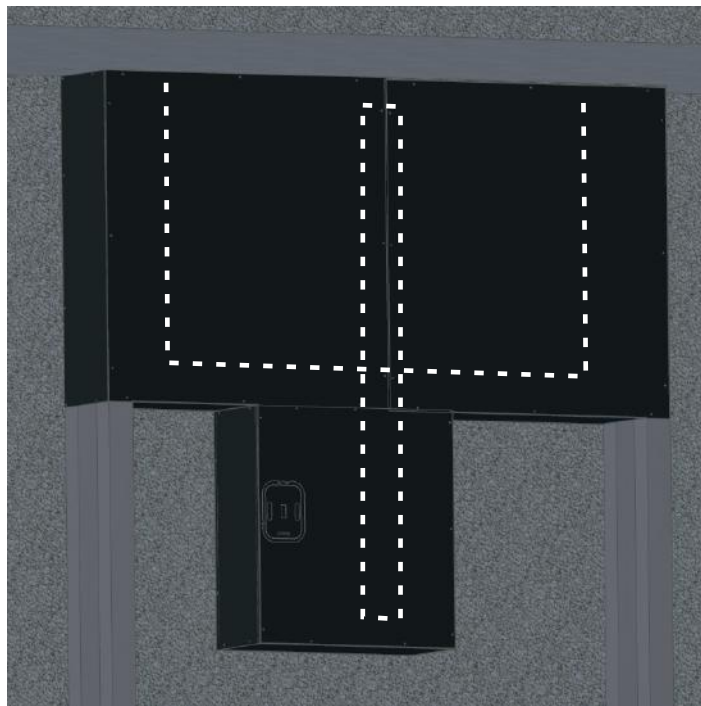
The self-closing lid is either spring-loaded or driven by its weight. A mechanized lid, that hides beneath the floor can be ordered as an option.



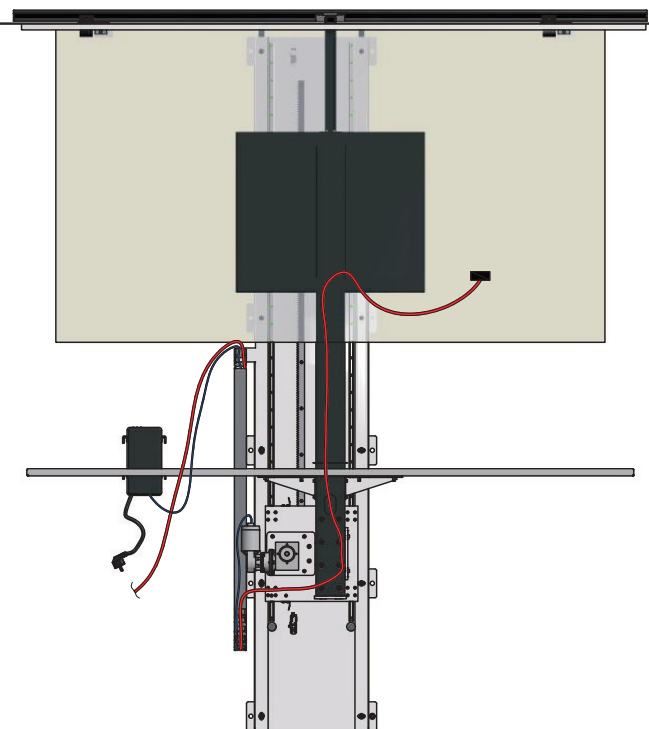
Minimal floor thickness for the lid hinges required: 5 mm. For automatic lid extra space is required as well as extra revision flaps for servicing.



Minimal hole diameters require adding + 120 mm to Screen depth and + 60 mm to Screen width.

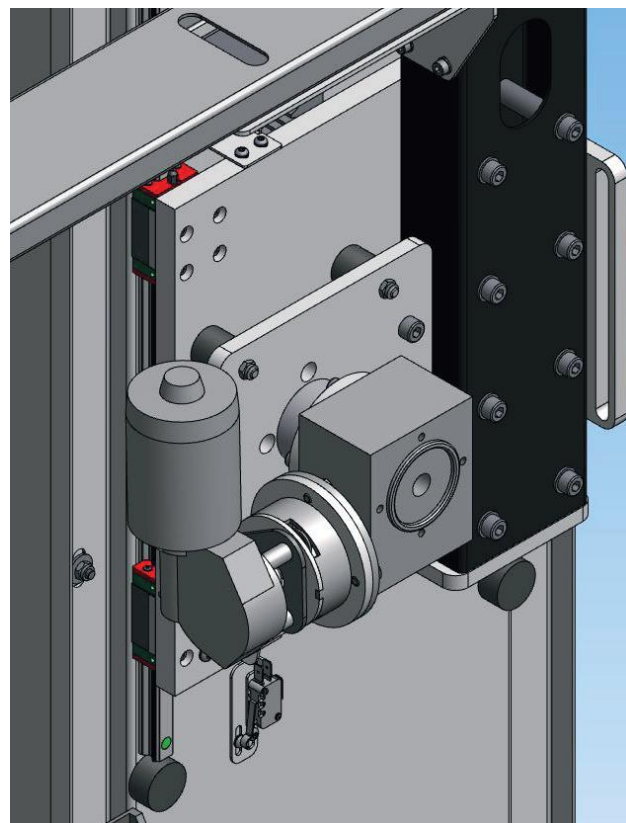
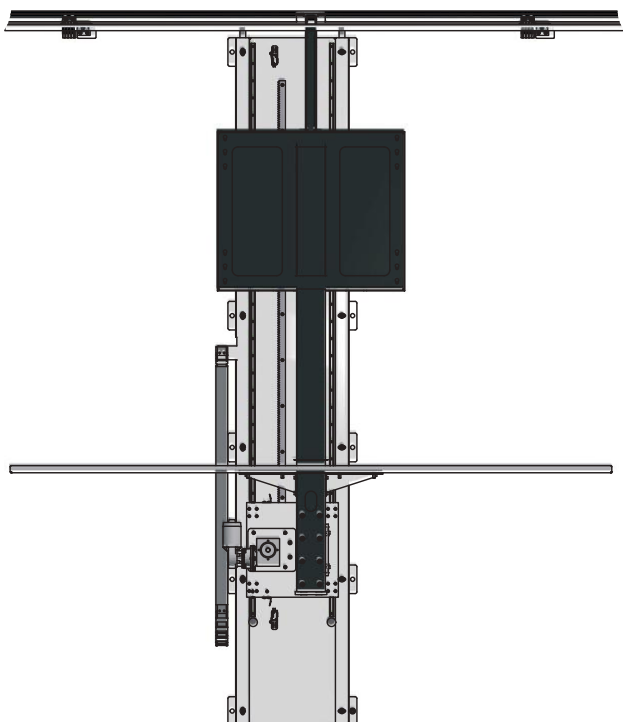


Mechanism enclosure – made of composite panels available per special request.



Comfortable cable guidance – IGUS type retracting cable guide + inner tube openings allow the cables to stay completely hidden.

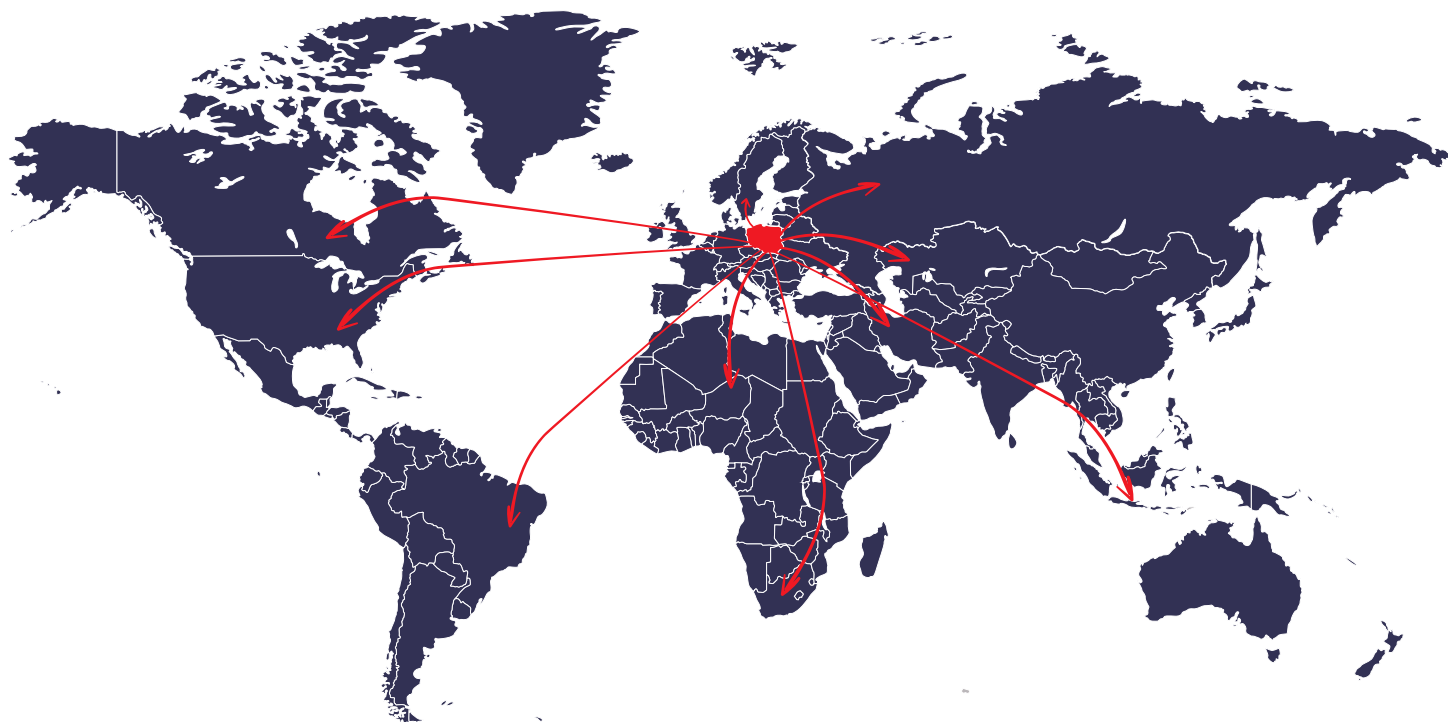




Specification	Value
Lifting Speed	3 m/min
Unit Voltage/Wattage*	230 V / 50 W
Dimensions	Variable - depending on Tv's size and required lifting height
Safety features	Motor overheat (standard). Extra sensitive safety systems available on special request.
Flap Mechanism	Mechanical, self-closing. Weight or spring-loaded. Automatic flap on special request
Cable guidance	IGUS-type plastic cable guide
Max lifting weight	100 kg
Power guard TV Socket	Yes (Tv can be powered through lift control box)
Height Adjustment	Electro-mechanical (limit switch determined) Pre-defined per screen size when ordering
Drive type	Gear rack + gearmotor
Available controls	IR, RF, Active RJ-45 (all RJ-45 Sabaj Accessories), Wi-fi ready
Colour	RAL 9005 (standard). Other colors - per special request

* Can also be purchased in 120 V version. All plug types available.

Worldwide Export



Sabaj System Sp. z o.o.

30-841 Kraków, ul. Domagały 15

tel. +48 12 653 53 95; fax: +48 12 653 53 82

e-mail: sales@sabaj.pl

www.rtv.sabaj.pl