

## Comfortable, rotating TV lift

The Rotolift series, in addition to the lifting and lowering functions, also has the ability to rotate the mounted TV. RF Operated with RF Remote delivered in the set. Rotation 225° Clockwise and 90° counter-clockwise. Soft start and soft stop function keep the mechanism working for even longer. Universal TV mount covers VESA standards from 200x200 to 600x600 and everything in between. The top and low viewing positions can be easily programmed via the control box. The premium control box allows most of the premium conveniences. Unique and patented TV weighting system stops and raises the lift slightly even if a slight obstacle is encountered - therefore protecting both the unit and the users around it. Additional power cord allows connecting TV directly to the lift -no need for extra cables. Power Guard function protects the TV from lowering it when turned on - cutting the power of the screen, so that it's always hidden securely. Electric motor protected from too much load and overheating. 5 Year warranty with over 80 thousand cycles on full load ensured. This model requires mounting lid on the top of the TV - proper brackets with easy mounting instructions are provided. A Multicode IR-Receiver can be purchased separately to operate a TV lift with IR remotes.



**RF remote control included**



**Easy angle adjustment**



**Active RJ-45 socket + Power Guard**



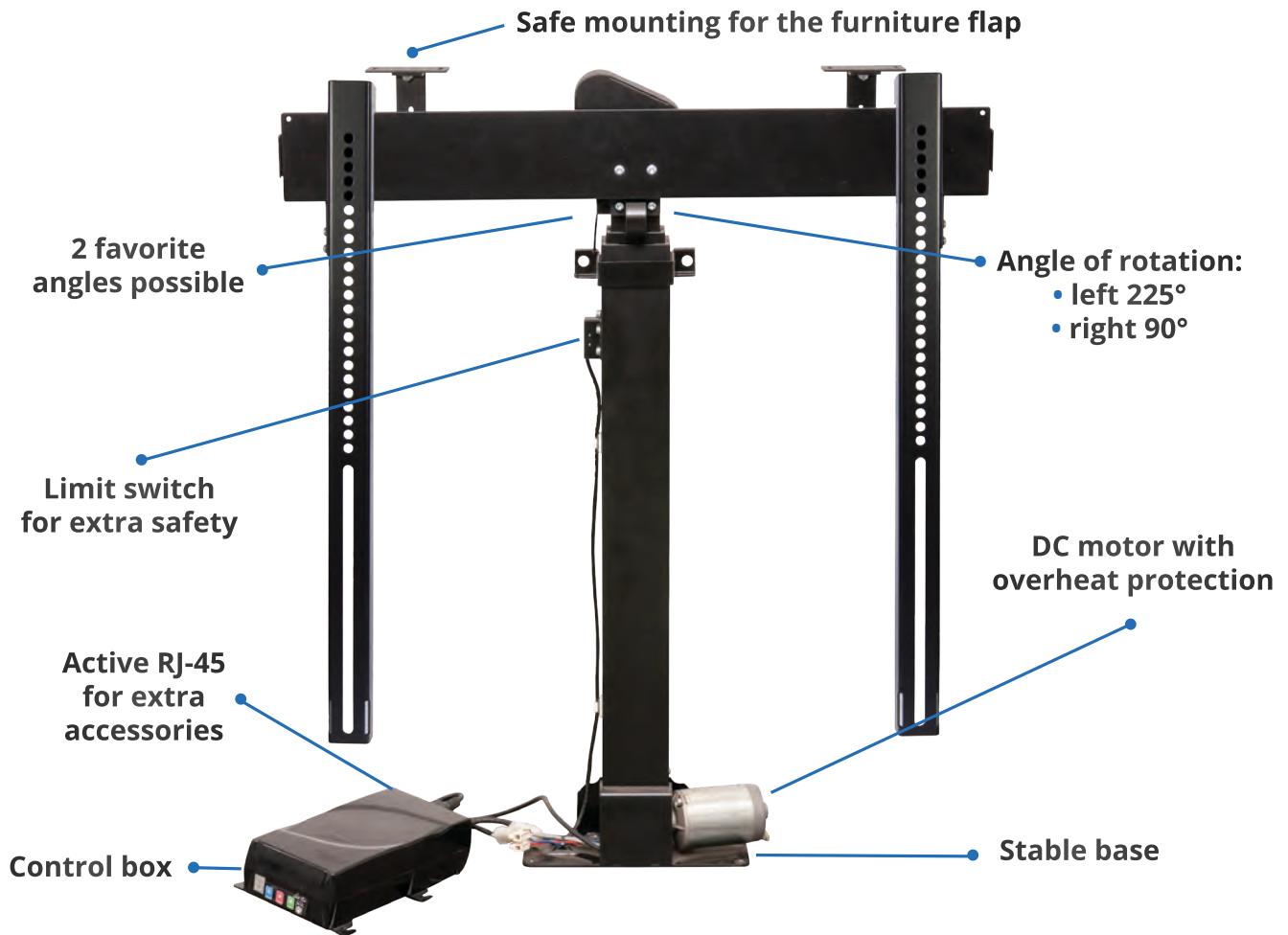
**Safety systems**



**Cable guide**



**5 year warranty**



Compatible accessories on pages 56 - 57

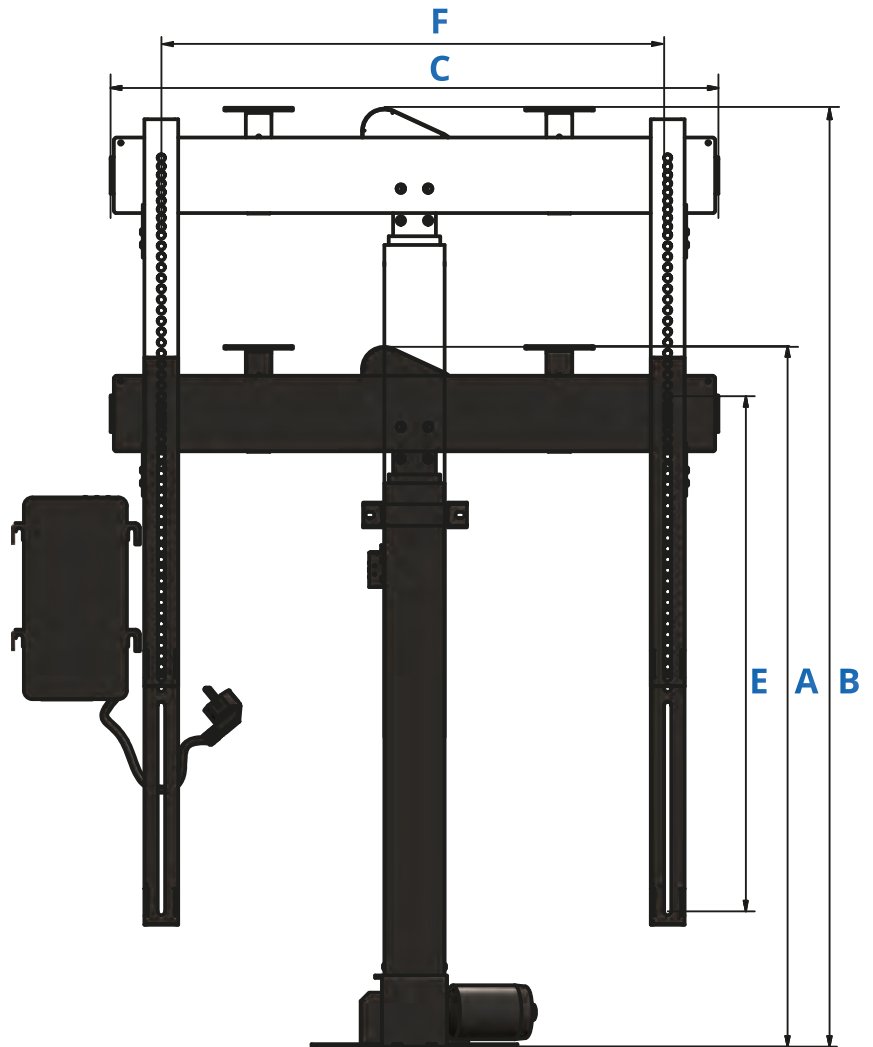
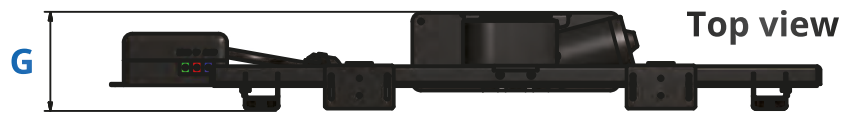


## Specification

	K-1 Rotolift	K-2 Rotolift	K-3 Rotolift
<b>lifting capacity</b>	30 kg / 65 lb	50 kg / 110 lb	60 kg / 130 lb
<b>lifting height</b>	717 mm / 28"	837 mm / 33"	947 mm / 38"
<b>max. VESA</b>	600x600		
<b>angle of rotation</b>	Left: 225° / Right: 90°		
<b>rotation speed</b>	1.5 rpm		
<b>lifting speed</b>	20 mm/s		
<b>power consumption</b>	80W		
<b>power supply</b>	115V/230V		



Extension bracket available  
for low mount LED TV  
Product ID: K-BRCK-EXTD



## Dimensions [mm]

	K-1 Rotolift	K-2 Rotolift	K-3 Rotolift	K-5 Rotolift
A	762	823	890	970
B	1482	1658	1725	2135
C	508	708	708	708
D	112	112	112	112
E	530	600	670	670
F	100-460	100-660	100-660	100-660
G	112	112	112	112