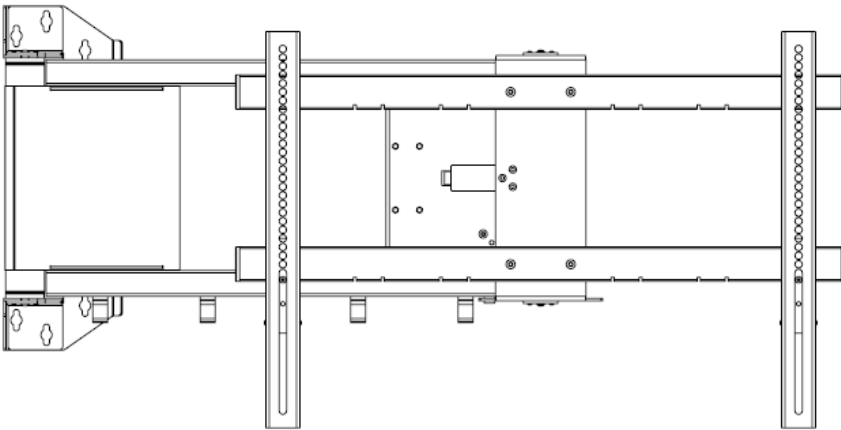


## OTW Series

---

### Assembly and operating manual




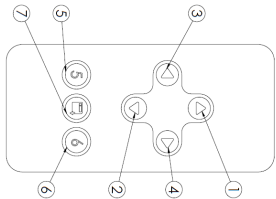


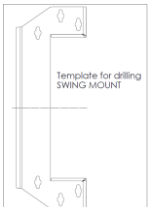


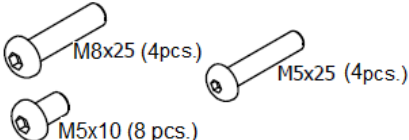
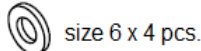


**Models:**



- OTW-L

**Before planning the installation, the installer must determine the following:**

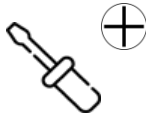


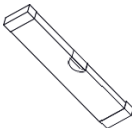
- Thread size of the mounting holes on the back of the TV
- The shape of the back of the TV (curved, flat, etc.)
- The audio/video cable mounting locations on the rear of the TV , including power sockets ( 1 for TV 1 for Swing Mount )
- The TV's weight
- Check contents of the box for any transport damages . If parts appear to be damaged , do not proceed with installation

### Set contents

No.	Part name	Quantity	Fig.
1.	OTW Mount	1 pc.	
2.	Sabaj IR Remote	1 pc	
3.	Cable Hook	3 pcs	
4.	IR-EYE receiver	1 pc.	
5.	Drilling Template	1 pc.	
6.	AC adapter	1 pc.	
7.	Screws ISO 4762	1 set.	
8.	Screws ISO 7380	1 set.	
9.	Pads ISO 7089	1 set.	
10.	Mounting screw DIN 571 with an expansion plug	4 pcs.	
11.	Allen keys	1 set.	

12.	Plastic spacers (15mm)	4 pcs.	
13.	Plastic spacers (10mm)	4 pcs.	

### Required additional tools:

No.	Tool name	Fig.
1.	Cross screwdriver	
2.	Drill driver	
3.	Drill (suitable for screws and type of wall)	
4.	Spirit level *optional	

### Assembly

1. Apply the template , drill holes and mount the screws. (fig. 1).

**NOTE:** Remember to level the template as good as possible. There is additional play on the mount to compensate additional leveling.

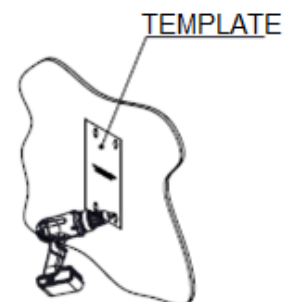
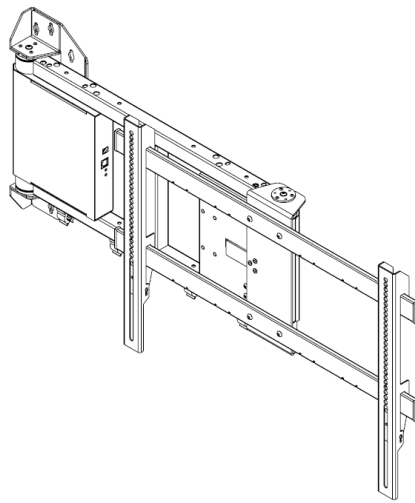


fig. 1

2. Assembly the moving arm and vertical TV bracket , like shown on picture below. The horizontal

brackets will be mounted to the TV in later steps.



3. Hang OTW on the screws and tighten them. Remember that the device must be leveled. Expand the OTW to comfortably install tv screen. You may do it manually , or use the remote attached. Please note that the bracket can be mounted also in an “upside-down” manner . Recommended mounting position is shown on the picture below.

**NOTE:** You will notice more than four holes for wall installation. Additional holes are added only for a sturdier installation or for necessary placement changes.

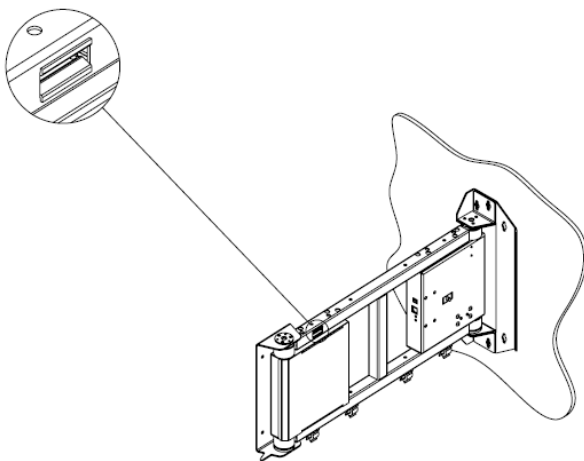
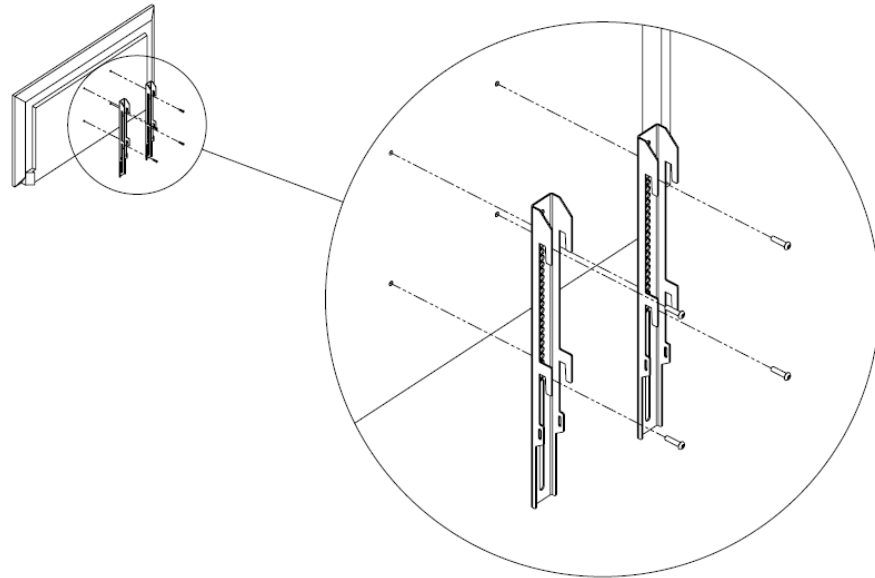


fig. 4

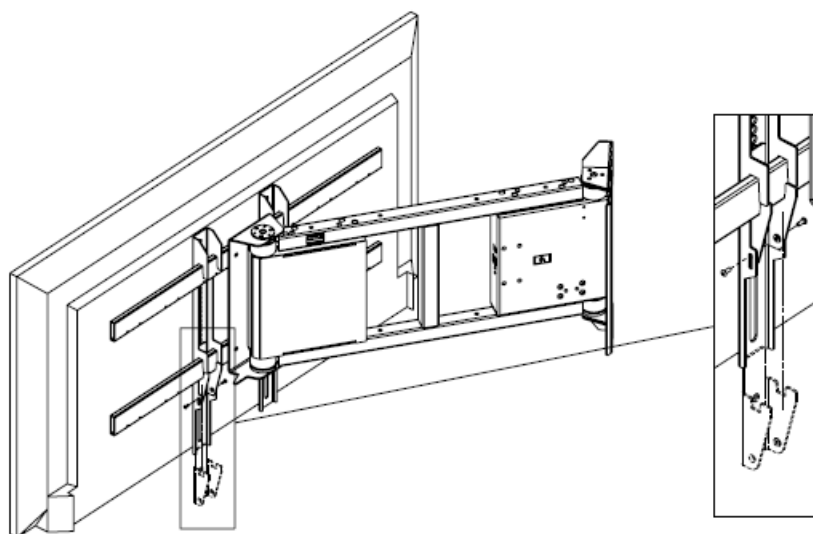
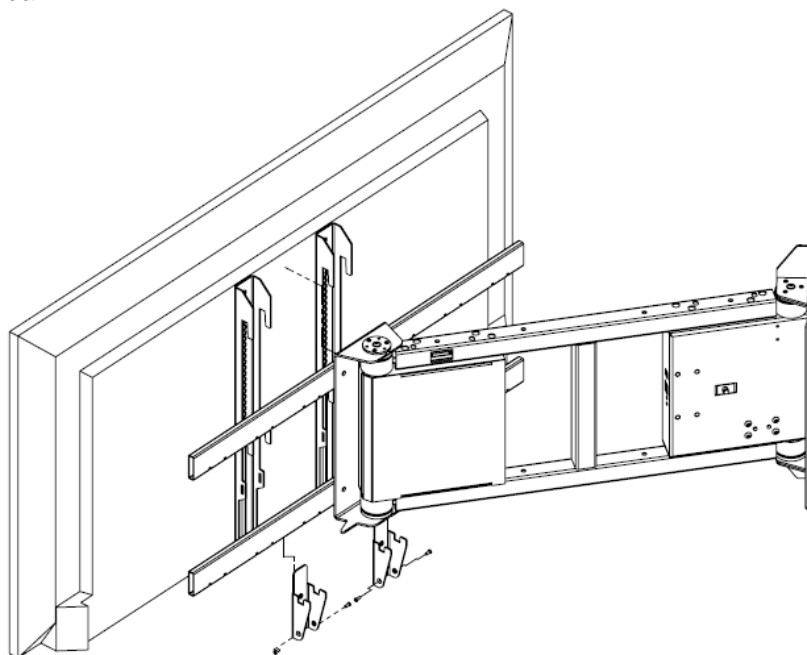
**NOTE:** Double check if the device is leveled using the provided spirit level (fig. 4).

## TV Installation

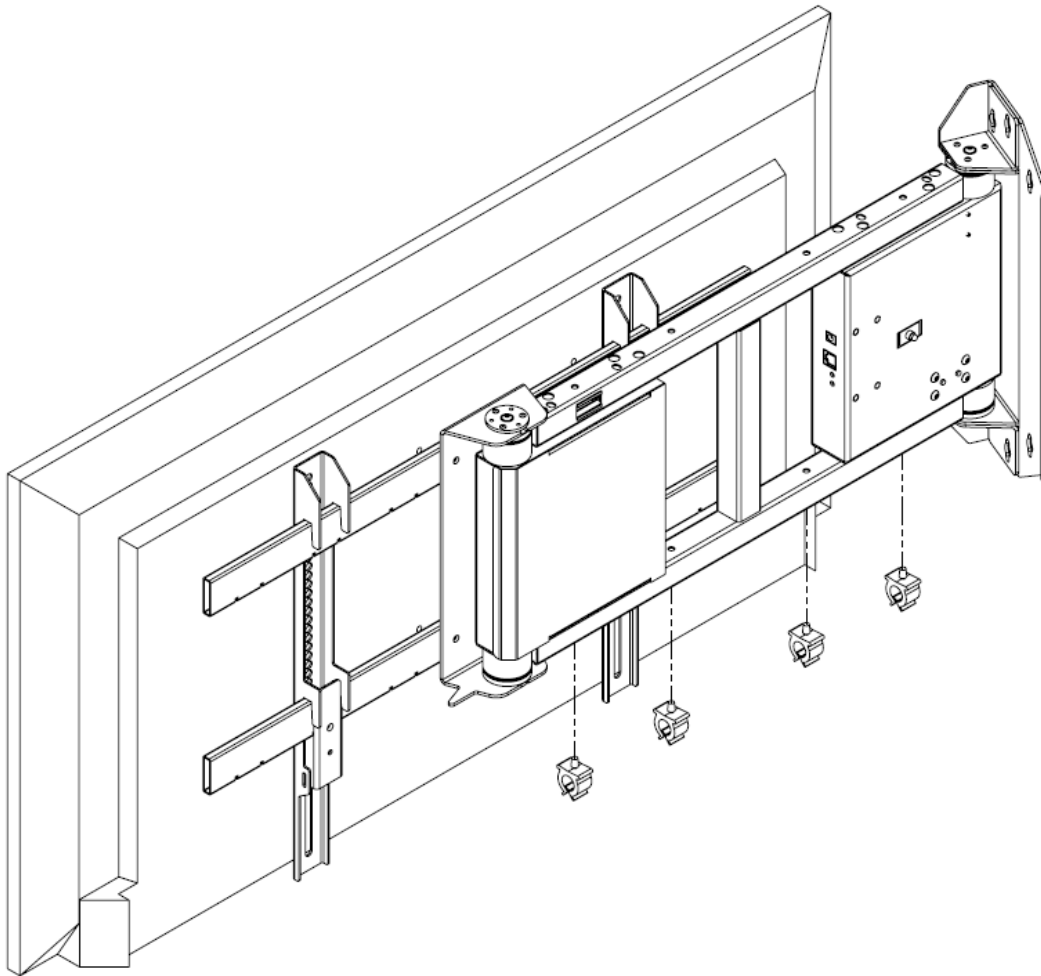
1. Place tv on a flat soft surface and mount vertical beams to it , like on picture below. You can use provided spacers if necessary



2. Mount TV by hanging it on the bracket , as shown on picture below. You can use provided spacers and screws if necessary. For safety reasons it is recommended to do this part using help from another person. Use the lower bars to secure the screen on your OTW Bracket



3. Use the provided cable hooks to route the cables appropriately. Remember to leave some slack in the cables, especially when the bracket will be moving."

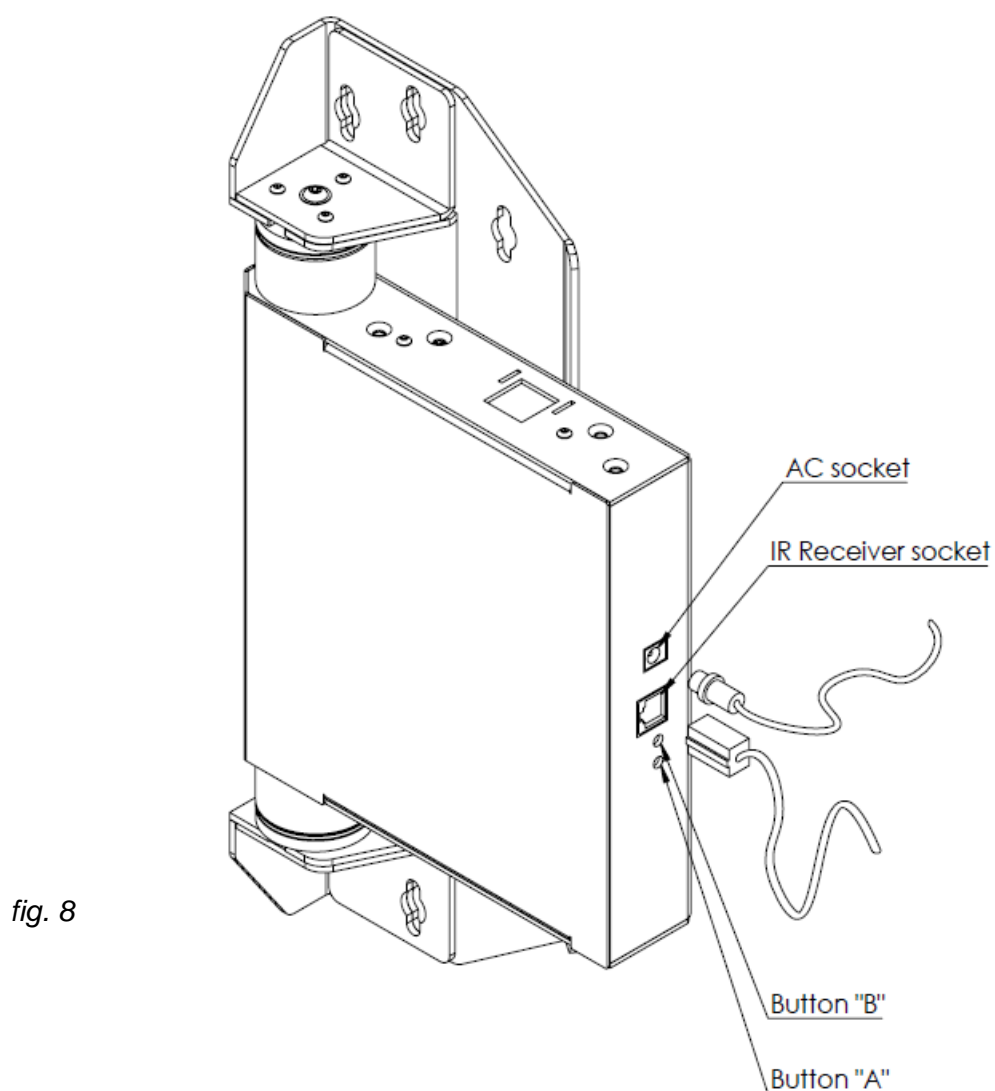


**Connecting the mount.**

2. Connect the AC power adapter and IR receiver to corresponding sockets – as seen on picture below (fig. 8). Then connect the adapter to a power source

fig. 7





- Button A** : iR-Multicode Setup Mode
- Button B** : Set movement limit / Reset movement limit
- RJ-45 Socket** : IR EYE or accessories
- Power Socket** : 12V AC adapter ( included)

3. Place the IR receiver on the screen , so that it is accessible to IR remote control (fig. 9).

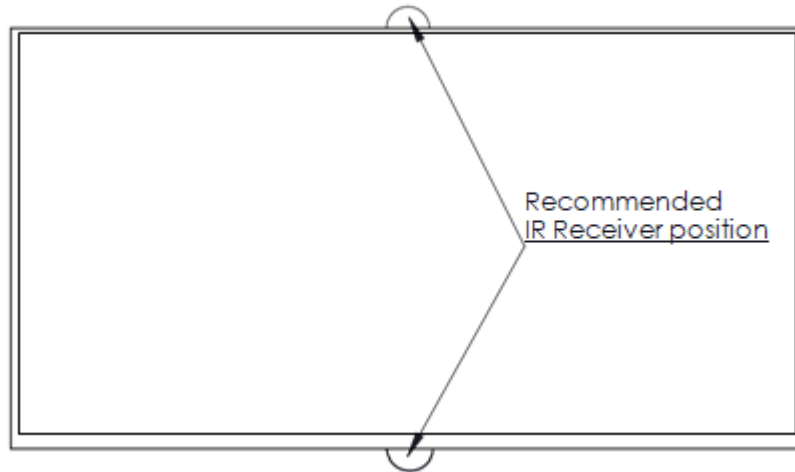
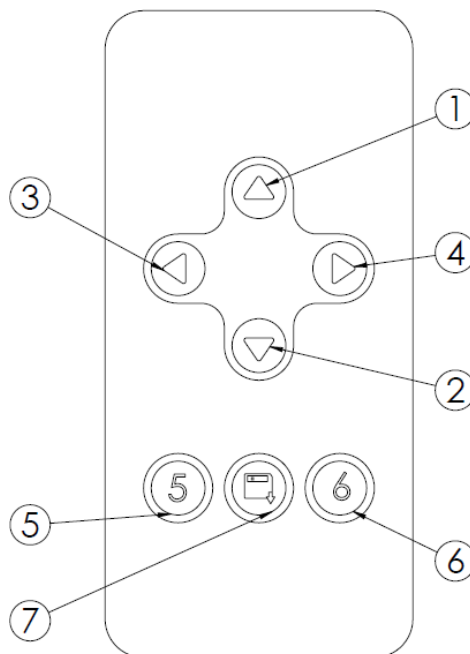


fig. 9

- 4. Your OTW mount comes with a pre-programmed Sabaj IR Remote. If you want to program your own remote - any TV remote using the most popular RCP-5 coding can be used with our iR-Multicode system. Refer to point “Programming an RC-5 IR Remote...” of this manual to learn how to change the remote setup.**



IR remote button description :

- 1 – Move screen towards the wall
- 2 – Move screen from the wall
- 3 - Rotate screen left
- 4 – Rotate screen right
- 7 - Store movement limit
- 5 , 6 - empty

### **Setting movement limit:**

*Note : Your OTW Bracket is pre-programmed with the maximum ranges of movement by factory default.*

It is possible to limit the maximum distance from the wall and rotation both to left and right side. Please keep in mind , that the units positioning accuracy is around 2° to 3°

After setting the movement limit, the lift will automatically stop at the position specified set by the user. This position cannot be exceeded, but it is possible to stop the lift earlier.

**To set the movement limits :**

- 1) Press „B” Button on the bracket to enter setup mode
- 2) you will hear intermittent beeping signal , which means the bracket is in setup mode , awaiting limit inputs . *Signal will not stop until you press “B” again.*
- 3) move screen from the wall ,using “2” button on your remote
- 4) to store preferred wall distance press “7” (save) button , than “2” button (move from the wall). You will hear 2 short beeps , as a confirmation that this position is stored to memory

- 5) rotate the bracket to left to determine preferred left rotation angle. Make sure your screen does not hit the wall , so it's best to stop rotation before screen's edge touches the wall
- 6) store preferred left rotation : press "7" button (save) , than "3" (rotate left) button
- 7) Rotate bracket to preferred right position
- 8) store max right position : press "7" button (save) , than "4" button (rotate right)
- 9) when you finish programming limit positions , press B button on your OTW bracket to leave movement limit mode . The signal will stop.
- 10) to change limit inputs , repeat points 1)-9)

To reset limit positions to factory default :

- 1) pull out the power plug from the lift
- 2) press and hold "B" button
- 3) Plug in the power and release "B" button . You will hear 1 long and 5 short beeps as a confirmation of restoring factory defaults

**Unit features**

5. **Active RJ-45 Socket:** Your OTW Electric bracket is equipped with the active RJ-45 socket, which in standard version is used to connect an IR-EYE receiver. After connecting the RJ-SPLITTER, the socket allows you to connect additional accessories supplied by SABAJGROUP. The active RJ-45 socket enables you to use accessories for control through push-buttons, home automation systems, or smartphones. For more information, please visit the Sabaj website.  
***NOTE:** Only the original SABAJGROUP accessories will work with your control box. If you attempt to modify or connect any other devices via the RJ-45 port, you might damage the control box and you will lose the warranty for doing so.*
6. **Safety system:** The intelligent safety system detects the obstacles when the screen is moving. It does not require any calibration, which is done automatically. After detecting an obstacle the lift stops after a few seconds and signals with the beep.

**Programming an RC-5 IR Remote (compatible with most popular TV manufacturer remotes):**

7. **IR-Multicode - IR Remote Setup :** Although your OTW bracket is supplied with original Sabaj IR Remote , The IR-Multicode system allows you to use any infrared remote control

from most popular TV Remote manufacturers using RC-5 Code. You can choose the remote control with which you control your TV. Some newer remotes work on a Wi-Fi/Bluetooth bandwidth and, although they might look like a standard remote, they use a completely different wavelength and will not comply with IR-Multicode. Please be advised, that **you will need the IR-EYE Sabaj Accessory connected to the controller via the RJ-45 socket to operate your lift with an IR remote.** To start acquiring the IR remote:

- a. Press button "A" on your device to enter setup. You will hear constant beep signal. The beep will not go off until you finish programming or press the "A" button again
- b. Aiming your remote towards the IR-Receiver, pick **5 buttons** you want to use for controlling the unit . Every properly acquired signal will be confirmed by a number of short "beep" signals. Please allow the short beeps corresponding to a function below to finish sounding , before pressing another button , so that your device acknowledges the function properly . Number of signals correspond to the button set:

- (1.) – **closing button ( to the wall)** (1 signal + constant signal) . *Button I by default*
- (2.) – **opening button ( from the wall )** (2 signals + constant signal) *Button II by default*
- (3.) – **rotate left button (3 signals + constant signal)** *Button III by default*
- (4.) – **rotate right button (4 signals + constant signal)** *Button IV by default*
- (5.) – **store button (5 signals + constant signal)** *Button VII by default*

After the last signal sounds, constant beep is off and the remote control is programmed.

**NOTE:** *Remember that these buttons will also be active for device supported until now by the remote. The mount cannot be operated by more than one remote control. Any new programmed button will automatically delete the old one.*

**Reset fav/limit setting:** It is possible to reset the fav/limit position to max ( factory default) . To do so :

Unplug the power socket press and hold Button "B" on your OTW device  
plug in the power socket you will hear 1 long signal + 5 short ones .  
This will mean the device is re-set properly.

**Unit Calibration :** Your OTW is calibrated with factory defaults, but it can be de-calibrated by manually moving the unit or accidentally pressing the limit switches located on the back of the bracket. To re-calibrate it, simply unplug the power and then plug it back in. The lift will start moving towards its reference point, which is fully closed. Once both limit switches are closed and the reference points are achieved, the unit will operate normally.



OTW Series

If any unusual movement occurs, you can manually close the bracket and repeat the calibration procedure (unplug and re-plug the power). After reaching both limit switches, the unit will be ready to operate.