

TV -STAND

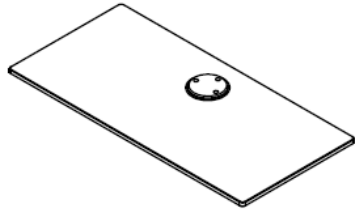

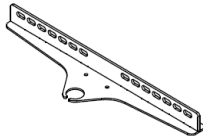












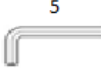
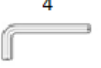

NM

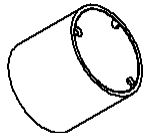
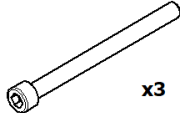
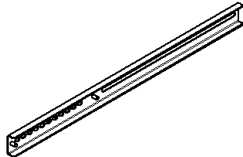

M/L/XL



Instruction Manual

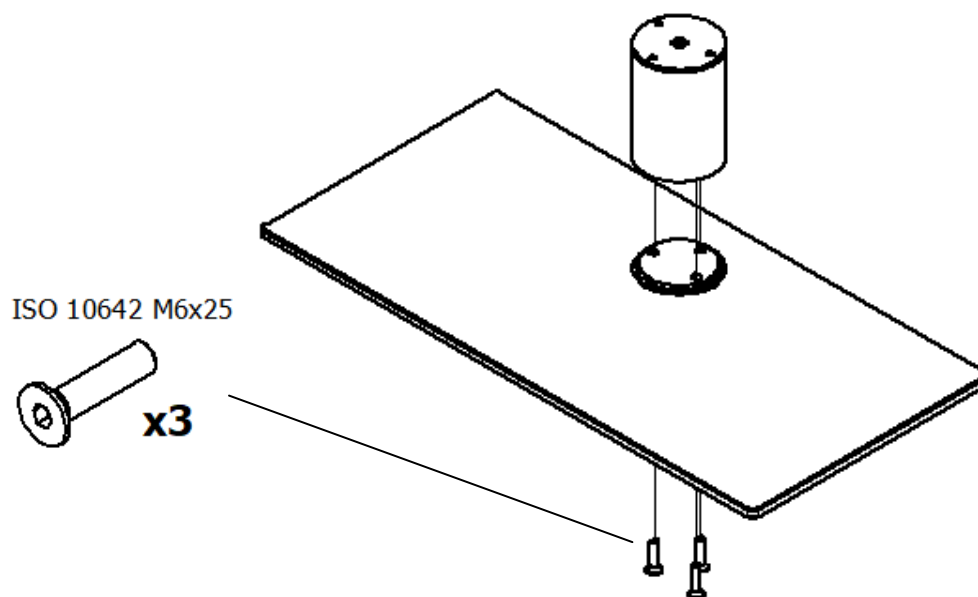
List of contents

Lp	Part description	Quantity	
1	Glass Base	1 pc.	
2	Rotation mechanism	1 pc.	
3	Vertical Bracket	2 pc.	
4	Cable gland	1 pc.	
5	Horizontal bracket	2 pc.	
6	Bolts/fittings/washers	1 set	<div style="display: flex; flex-wrap: wrap; justify-content: space-around;"> <div style="text-align: center;">ISO 7380 M6x16  x3</div> <div style="text-align: center;">ISO 10642 M6x25  x3</div> <div style="text-align: center;">ISO 7380 M5x25  x4</div> <div style="text-align: center;">ISO 4762 M4x25  x4</div> <div style="text-align: center;">ISO 7380 M8x10  x2</div> <div style="text-align: center;">ISO 4762 M6x25  x4</div> <div style="text-align: center;">ISO 7380 M8x25  x4</div> <div style="text-align: center;">ISO 7093 roz.6  x4</div> </div>
7	Spacer (15mm)	4 pc.	
8	Spacer (10mm)	4 pc..	
9	Allen Keys "3 ; 4 ; 5"	1 set	<div style="display: flex; justify-content: space-around; align-items: center;"> <div style="text-align: center;">5 </div> <div style="text-align: center;">4 </div> <div style="text-align: center;">3 </div> </div>

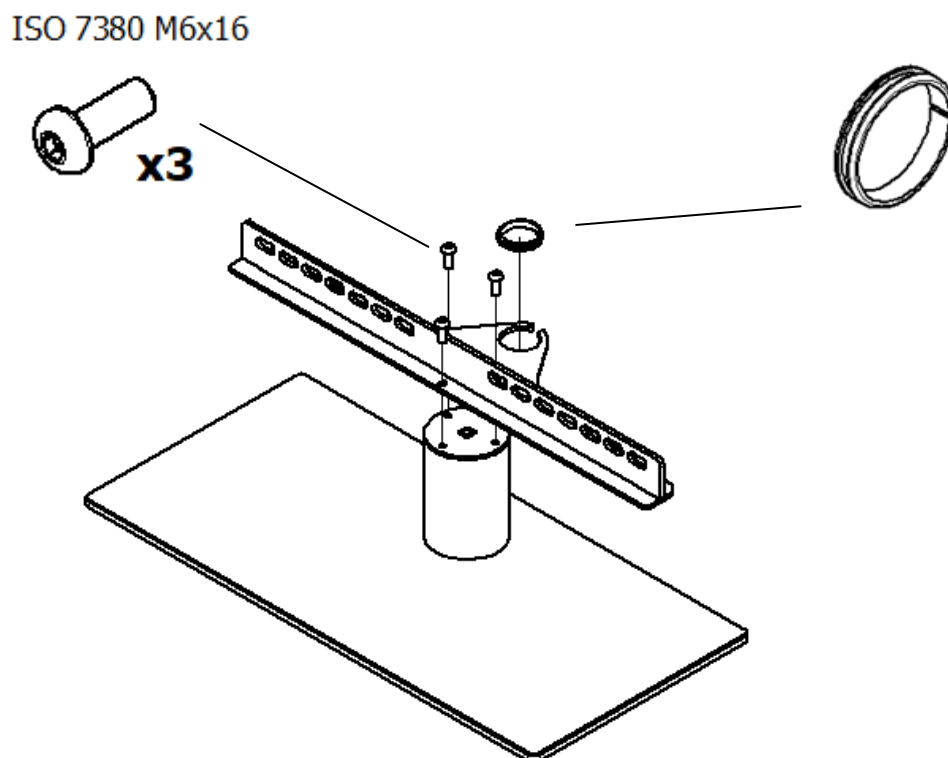
10*	Adapter	1 pc.	
11*	Adapter screw	1 pc.	<p>ISO 4762 M6x75</p>  <p>x3</p>
12*	Extension bracket	2 pc.	
13*	nut	1 set.	<p>ISO 4161 M6</p>  <p>x4</p>

*only for "L" and „XL"

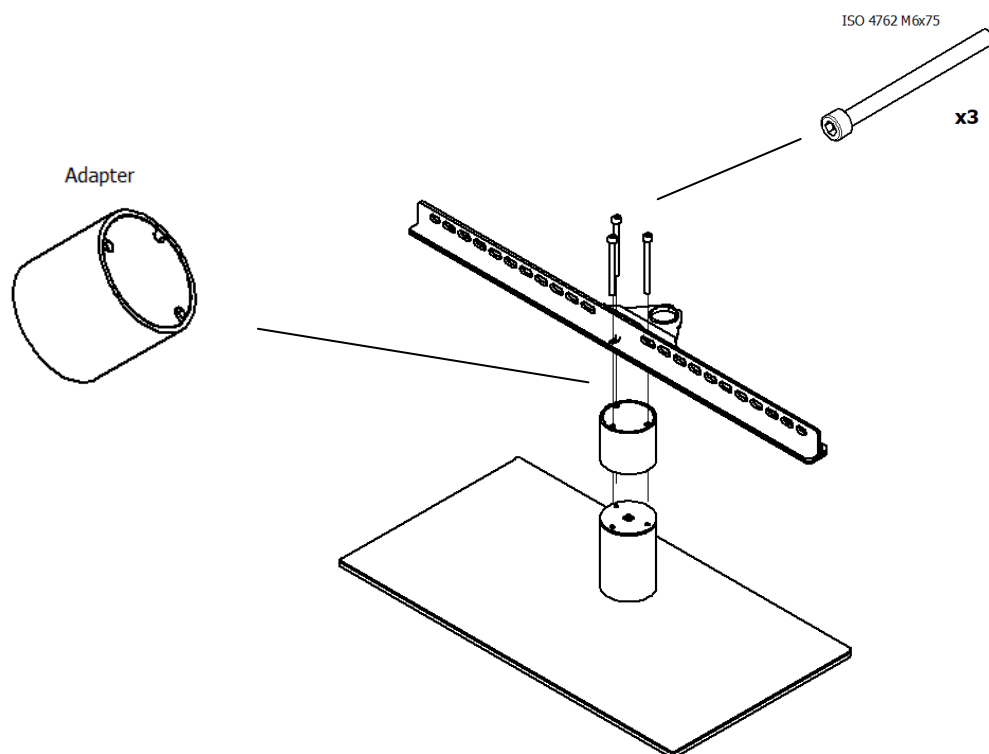
1. Mount the rotation mechanism to the base with 3x M6x25 bolts .



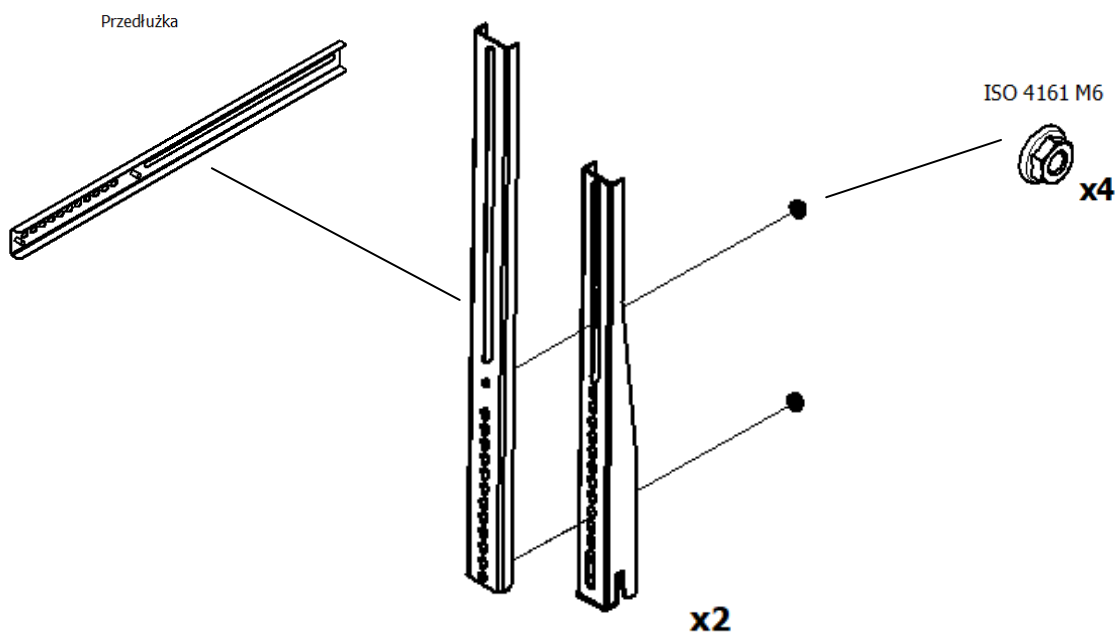
2. Mount the vertical bracket to the rotation mechanism with M6x16 bolts , than insert the cable gland.



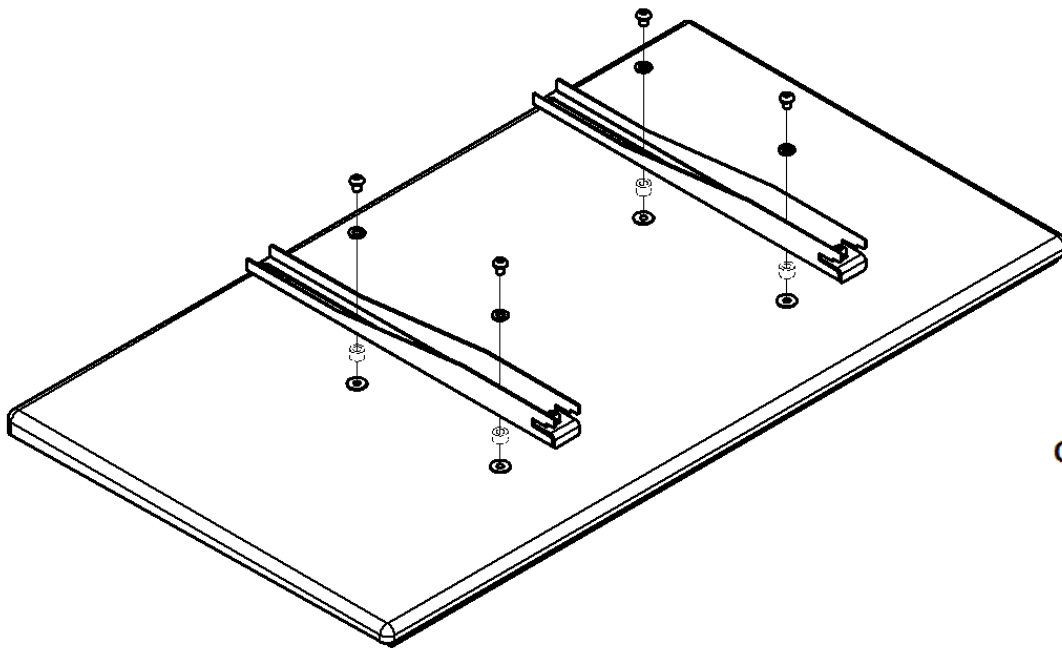
3*. For L/XL sizes you can raise the mounts height by using the attached adapter. The adapter should be mounted with M6x75 bolts.



4*. For L/XL sizes Extension brackets can be used. Mount them with M6 nuts as shown below.




5. Using screws delivered by your TV manufacturer , or using the set provided with the stand mount the tv to horizontal brackets. If necessary , use the provided spacers.

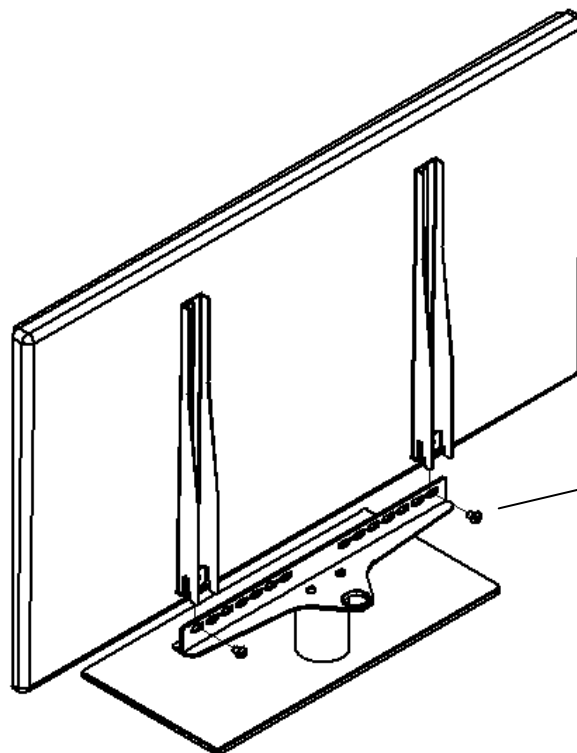


OPTIONAL

 15mm Spacer

 10mm Spacer

6. Mount the assembled TV to the vertical bracket as shown below



ISO 7380 M8x10



**only for "L" and „XL*